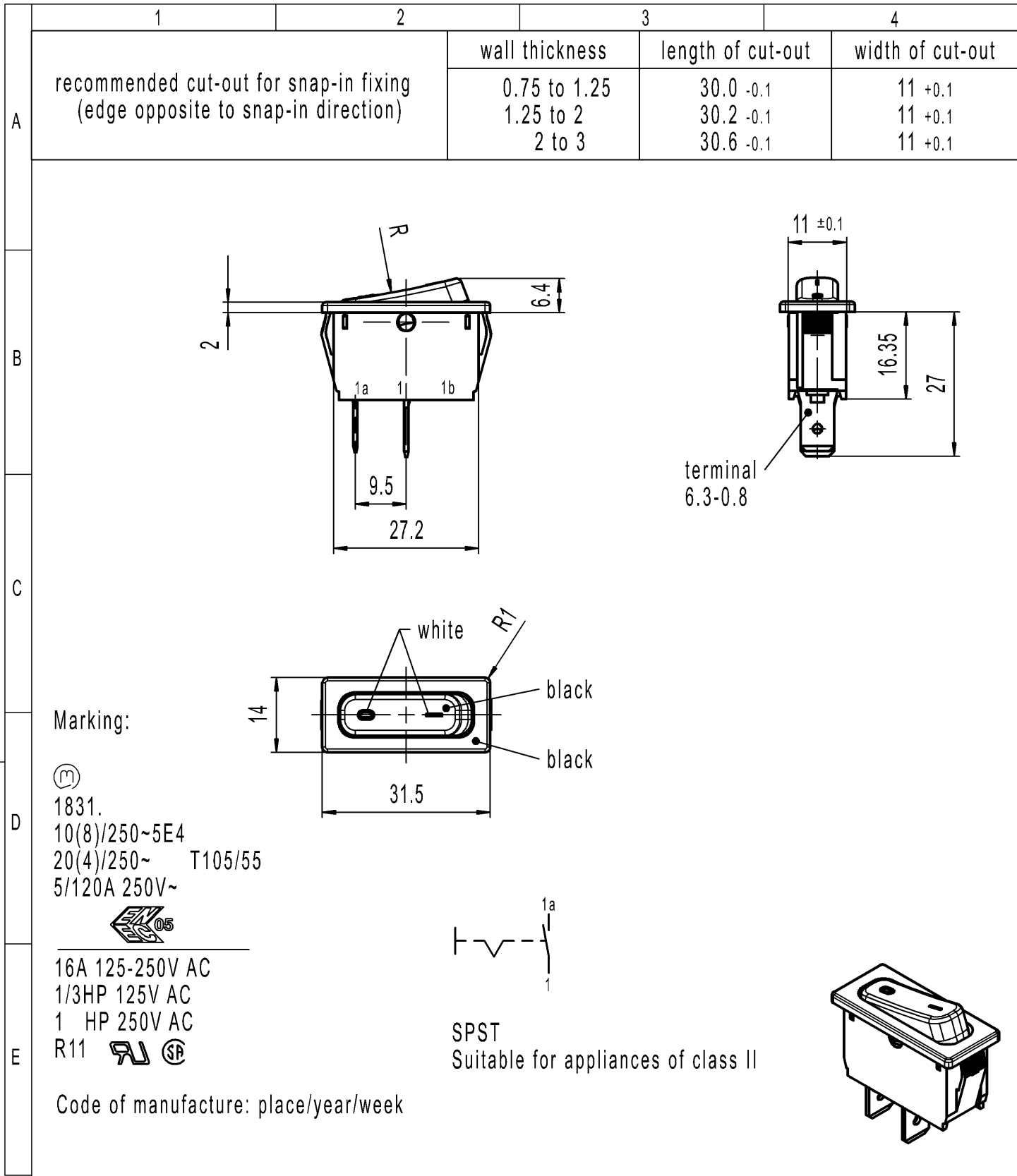


CONFIDENTIAL

VERTRAULICH

THIS DRAWING IS THE EXCLUSIVE PROPERTY OF MARQUARDT. WITHOUT THEIR CONSENT IT MAY NOT BE REPRODUCED OR GIVEN TO THIRD PARTIES.

Alle Rechte bei Marquardt, auch fuer den Fall von Schutzrechtsanmeldungen. Jede Veruegungsbefugnis, wie Kopier- und Weitergaberecht, bei uns.



-	-	-	1831.3313-XX
Figure	Type	Customer Part No.	Art.No.-PI
Shape and location	Angle ± 2°	Sheet 01	
	Edge tolerance	Ident. K	Document number 18313313
⊙ ≡	Length	Projection	Index C
	Radii	Scale 1:1	Appliance Switch
		All dimensions are in millimetres	
c	138244	2021-07-06	MATHPATIR
b	47099	2006-04-18	HHE
a	23781	1996-01-23	GRH
Index	MEC-No.	Date (YYYY-MM-DD)	Edited by
		System NX V1872	Replacement of
		Zg.gl.Nr.v.23.01.1992	