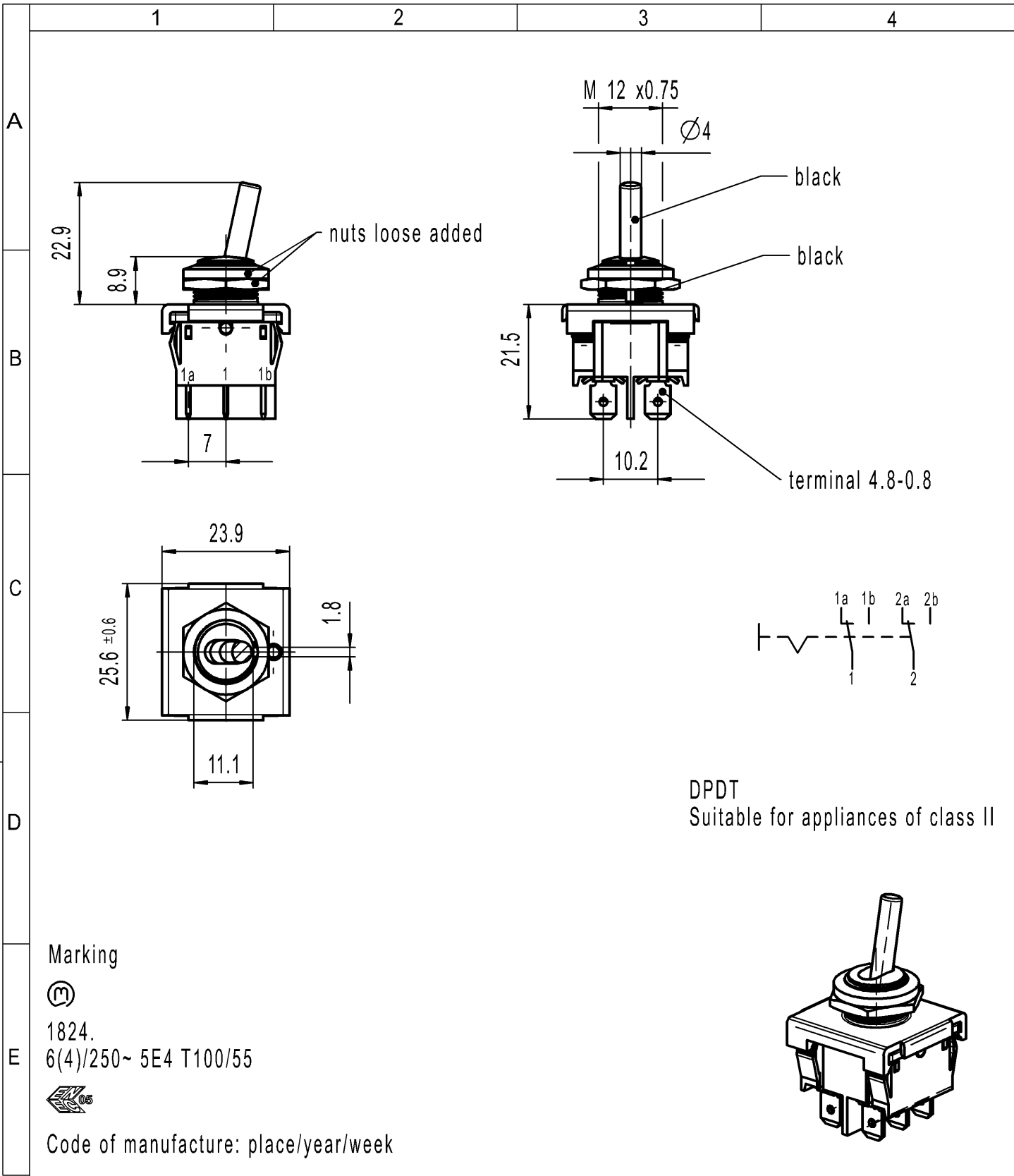


CONFIDENTIAL

VERTRAULICH

Alle Rechte bei Marquardt, auch fuer den Fall von Schutzrechtsanmeldungen. Jede Veruegungsbefugnis, wie Kopier- und Weitergaberecht, bei uns.

THIS DRAWING IS THE EXCLUSIVE PROPERTY OF MARQUARDT. WITHOUT THEIR CONSENT IT MAY NOT BE REPRODUCED OR GIVEN TO THIRD PARTIES.



Marking

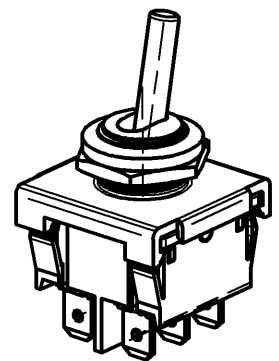


1824.

6(4)/250~ 5E4 T100/55



Code of manufacture: place/year/week



-		-		-		1824.1101-XX				
Figure		Type		Customer No.		Art.No.-PI				
General tolerances				Sheet 01			Ident. K	Document number 18241101	Index e	
All dimensions are in millimetres	Shape and location	Angle $\pm 2^\circ$	Edge tolerance	Length	Radii	Format DIN A4	Projection	Scale 1:1	Appliance Switch	
				0-6	$\pm 0.2$					$\pm$
				>6-15	$\pm 0.4$					$\pm$
				>15-30	$\pm 0.4$					$\pm$
				>30-70	$\pm$					$\pm$
>70-120	$\pm$	$\pm$								
>120	$\pm$	$\pm$								
e	131663	2020-09-07		BHATKARP		System NX V11.0				
d	64505	2010-01-27		MUT		Replacement of Zg.gl.Nr.v.04.08.2000				
c	56042	2008-01-16		VOR		 <b>MARQUARDT</b>				
b	29872	2000-06-19		BMI						
Index	MEC-No.	Date (YYYY-MM-DD)		Edited by						