

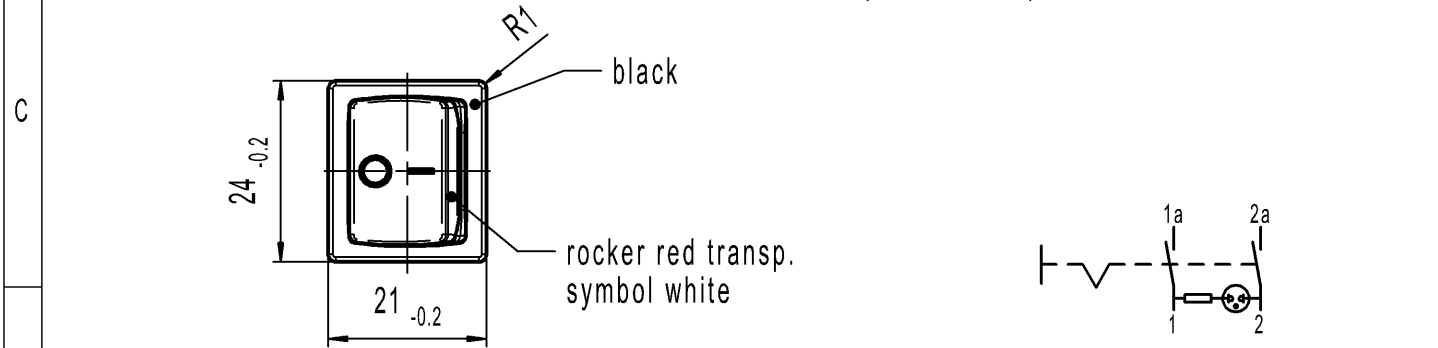
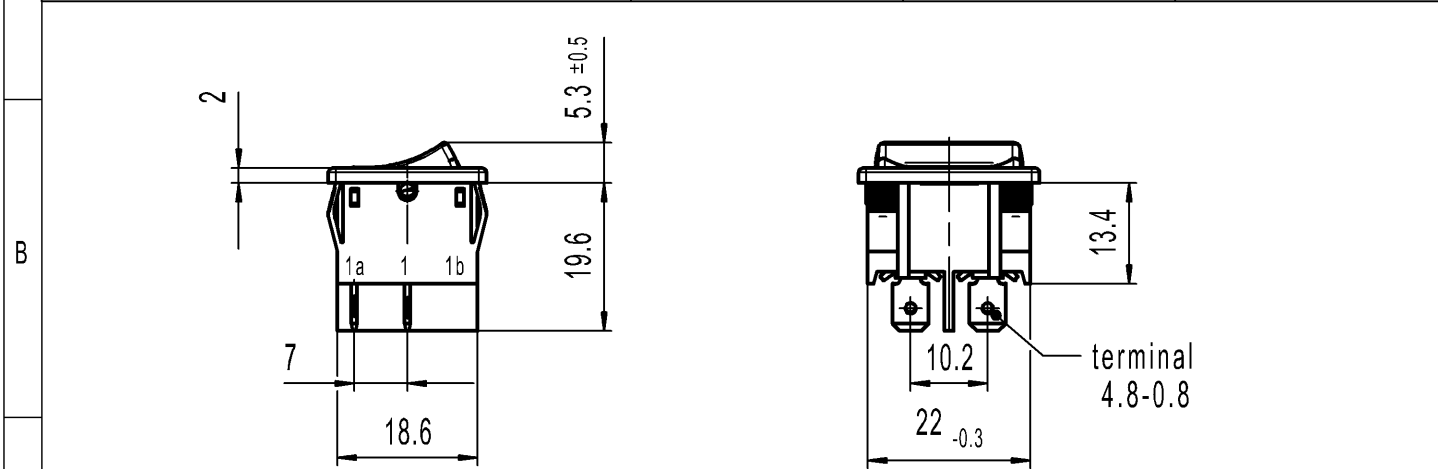
CONFIDENTIAL

VERTRAULICH

THIS DRAWING IS THE EXCLUSIVE PROPERTY OF MARQUARDT. WITHOUT THEIR CONSENT IT MAY NOT BE REPRODUCED OR GIVEN TO THIRD PARTIES.

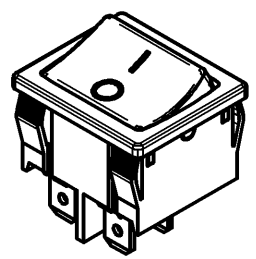
Alle Rechte bei Marquardt, auch fuer den Fall von Schutzrechtsanmeldungen. Jede Veruegungsbefugnis, wie Kopier- und Weitergaberecht, bei uns.

A	recommended cut-out for snap-in fixing (edge opposite to snap-in direction)	1	2	3	4
			wall thickness	length of cut-out	width of cut-out
			0.75 to 1.25	19.2 -0.1	21.9+0.1
			1.25 to 2	19.4 -0.1	21.9+0.1
		2 to 3	19.8 -0.1	21.9+0.1	



Marking  
 (M)  
 1805.  
 6(4)/250~5E4  
 10(4)/250~ T100/55  
 5/50A 250V~  
  
 1a 2  
 6A 250V AC  
 1/2 HP  
 R 87

DPST  
 Neon lamp with Rv for 230V AC  
 Suitable for appliances of class II



Code of manufacture: place/year/week

-	-	-	1805.7110-XX
Figure	Type	Customer Part No.	Art.No.-PI
Shape and location	Angle ± 2 °	Sheet 01	Ident. K
	Edge tolerance	Format DIN A4	Document number 18057110
 	Length	Projection	Index d
	Radii	Scale 1:1	Appliance Switch
d	137893	All dimensions are in millimetres	
c	62436	System NX V1872	
b	46930	Replacement of	
a	24902	Zg.gl.Nr.v.02.10.1996	
Index	MEC-No.	Date (YYYY-MM-DD)	Edited by