

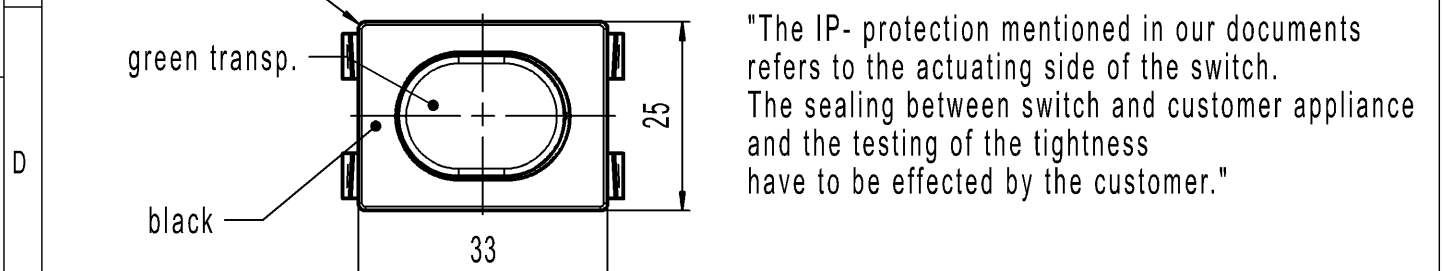
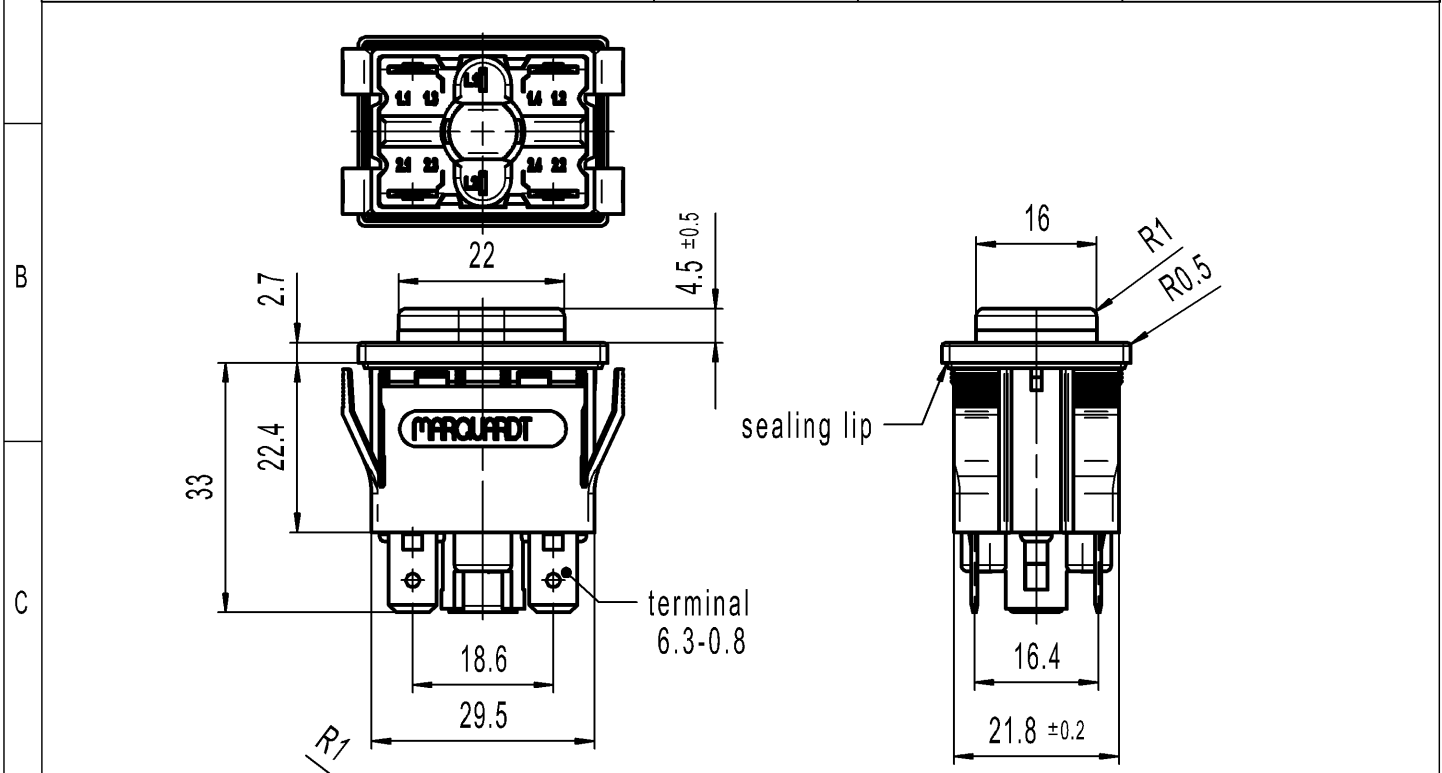
THIS DRAWING IS THE EXCLUSIVE PROPERTY OF MARQUARDT. WITHOUT THEIR CONSENT IT MAY NOT BE REPRODUCED OR GIVEN TO THIRD PARTIES.

CONFIDENTIAL

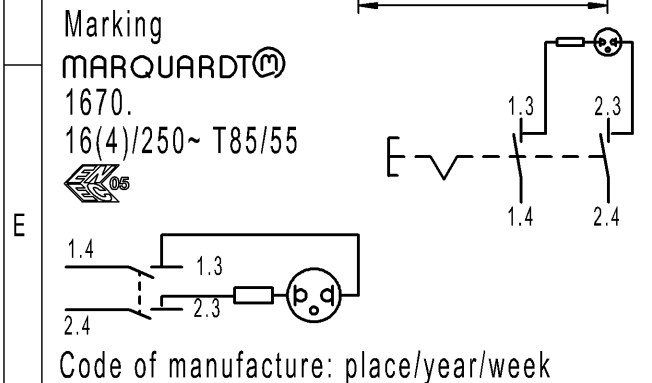
VERTRAULICH

Alle Rechte bei Marquardt, auch fuer den Fall von Schutzrechtsanmeldungen. Jede Verfuugungsbezugnis, wie Kopier- und Weitergaberecht, bei uns.

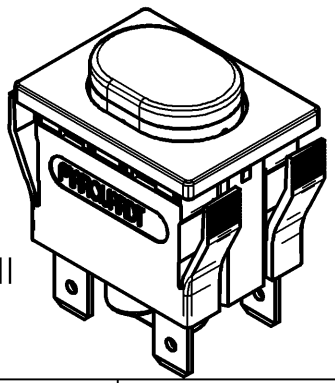
A	1	2	3	4
	recommended cut-out for snap-in fixing (edge opposite to snap-in direction)		wall thickness 0.8 to 5	length of cut-out 30 +0.15



"The IP- protection mentioned in our documents refers to the actuating side of the switch. The sealing between switch and customer appliance and the testing of the tightness have to be effected by the customer."



DPST  
Neon lamp with Rv for 230 V AC  
Total travel 4±0.4  
Suitable for appliances of class II  
Actuating side protected acc. to DIN 40 050, IP 54



-		-		-		1670.5202-XX	
Figure		Type		Customer Part No.		Art.No.-PI	
Shape and location	Angle ± 2 °	Length		Radii		Sheet	01
	Edge tolerance	0-6	± 0.2		± 0.2	Ident.	K
⊙ ≡		>6-15	± 0.4		±	Document number	16705202
		>15-30	± 0.4		±	Index	f
		>30-70	± 0.6		±	Appliance Switch	
			±		±		
f	137245	2022-02-25		MOHITEN		All dimensions are in millimetres	
e	36501	2003-09-01		VOR			
d	32547	2002-06-10		SIG		Format	A4
c	28173	1999-10-11		MUT		Projection	
Index	MEC-No.	Date (YYYY-MM-DD)		Edited by		Scale	1:1
						System	NX V1872
						Replacement of	
						Zg.gl.Nr.v.01.09.1993	