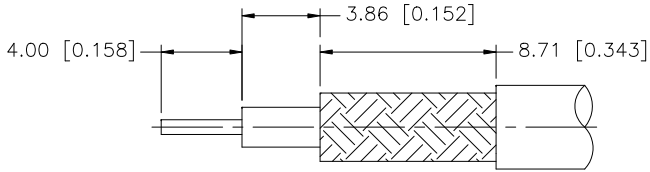
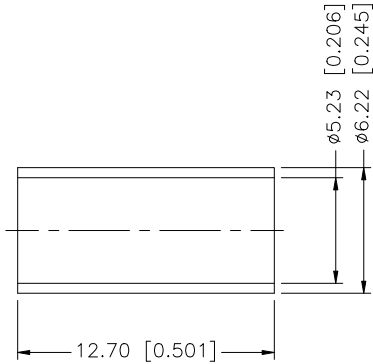
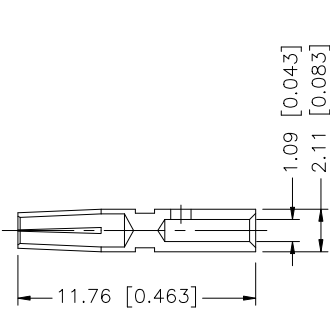
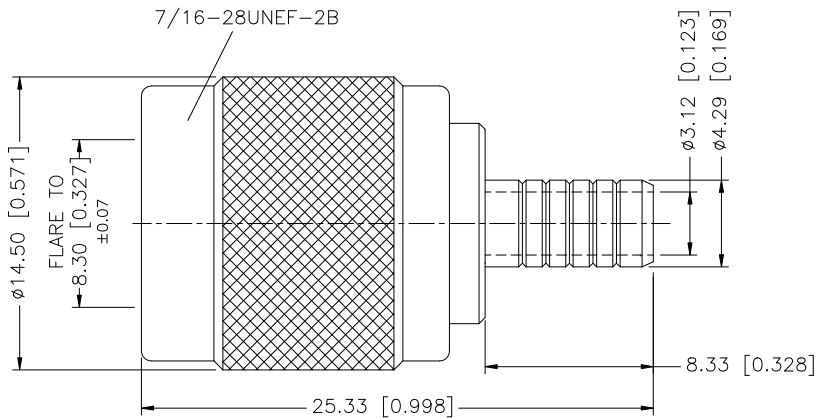


REV.	DATE	DESCRIPTION
A	02/24/03	UPDATE DRAWING FORMAT
B	06/30/07	REVISE BODY LENGTH, CONTACT PIN, FERRULE DIMENSIONS



RECOMMENDED
CABLE STRIPPING DIMS.



NOTE:

1. CRIMPED FERRULE HEX CRIMP SIZE .213"
2. CRIMPED CONTACT PIN HEX CRIMP SIZE .068"

				APPROVALS	DATE	<h1 style="color: blue; margin: 0;">Amphenol Connex</h1>				
8				DRAWN	G.R.S.					06/30/07
7				CHECKED			PART NO. 122108RP			
6				ISSUED						
5	FERRULE	COPPER	NICKEL	1	SHEET	1 OF 1	REV. B SIZE A SCALE NA			
4	GASKET	RUBBER	RED	1						
3	CONTACT PIN	PHOS. BRONZE	GOLD	1			DO NOT SCALE DRAWING			
2	INSULATOR	TEFLON	NATURAL	1						
1	SHELL/BODY	BRASS	NICKEL	1			DESCRIPTION MATERIAL FINISH QTY			