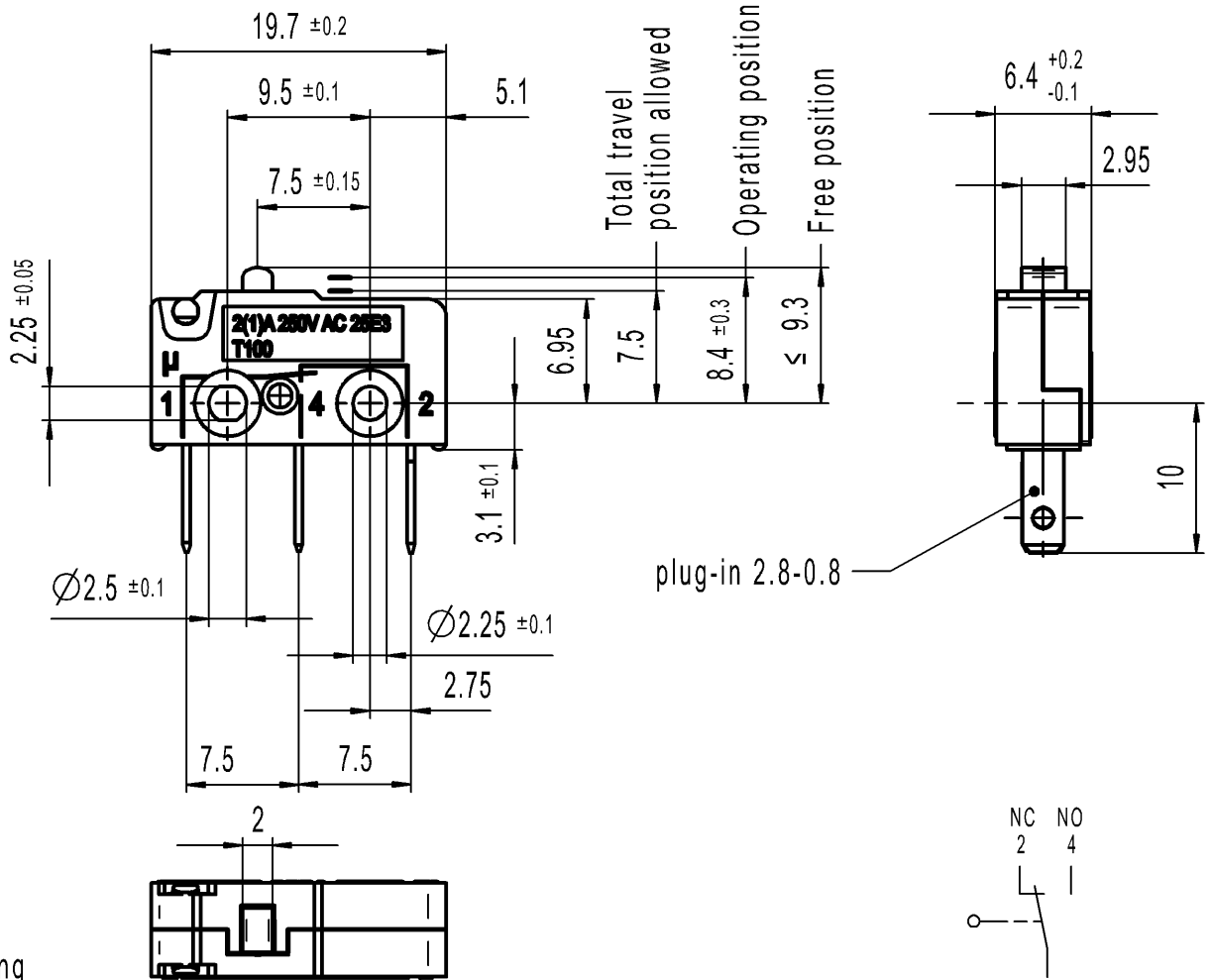


CONFIDENTIAL

VERTRAULICH

THIS DRAWING IS THE EXCLUSIVE PROPERTY OF MARQUARDT. WITHOUT THEIR CONSENT IT MAY NOT BE REPRODUCED OR GIVEN TO THIRD PARTIES.

Alle Rechte bei Marquardt, auch fuer den Fall von Schutzrechtsanmeldungen. Jede Veruegungsbefugnis, wie Kopier- und Weitergaberecht, bei uns.



Marking



1050 µ

2(1)A 250V AC 25E3
T100



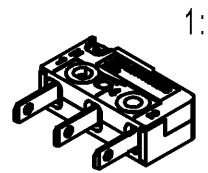
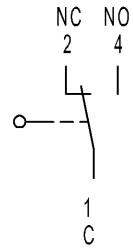
Single Pole Cangeover

Code of manufacture:
place / year / week

Actuating force ≤ 1.5 N
Release force ≥ 0.5 N
Movement differential ≤ 0.2 mm

On box: Customer Part No.
see variant table

Contacts gold plated



1:1

-		-		0905.9479		1050.1151-XX			
Figure		Type		Customer Part No.		Art.No.-PI			
Shape and location	Angle ± 2 °	Length		Radii		Sheet	01		
	Edge tolerance	0-6	± 0.2	±	0-6	± 0.2	Ident.		
		>6-30	± 0.3	±	>6-30	± 0.3	Document number		
			±	±		±	K	10501151	
			±	±		±	Scale	i	
			±	±		±	1:1	Snap Action Switch	
			±	±		±	All dimensions are in millimetres		
			±	±		±	System NX V1899		
i	141307	2022-03-16		HHE		Replacement of			
h	117433	2018-06-27		MUT		Zg.gl.Nr.v.11.09.1989			
g	38135	2003-09-15		SIG					
f	30390	2000-10-12		PFU					
Index	MEC-No.	Date (YYYY-MM-DD)		Edited by					