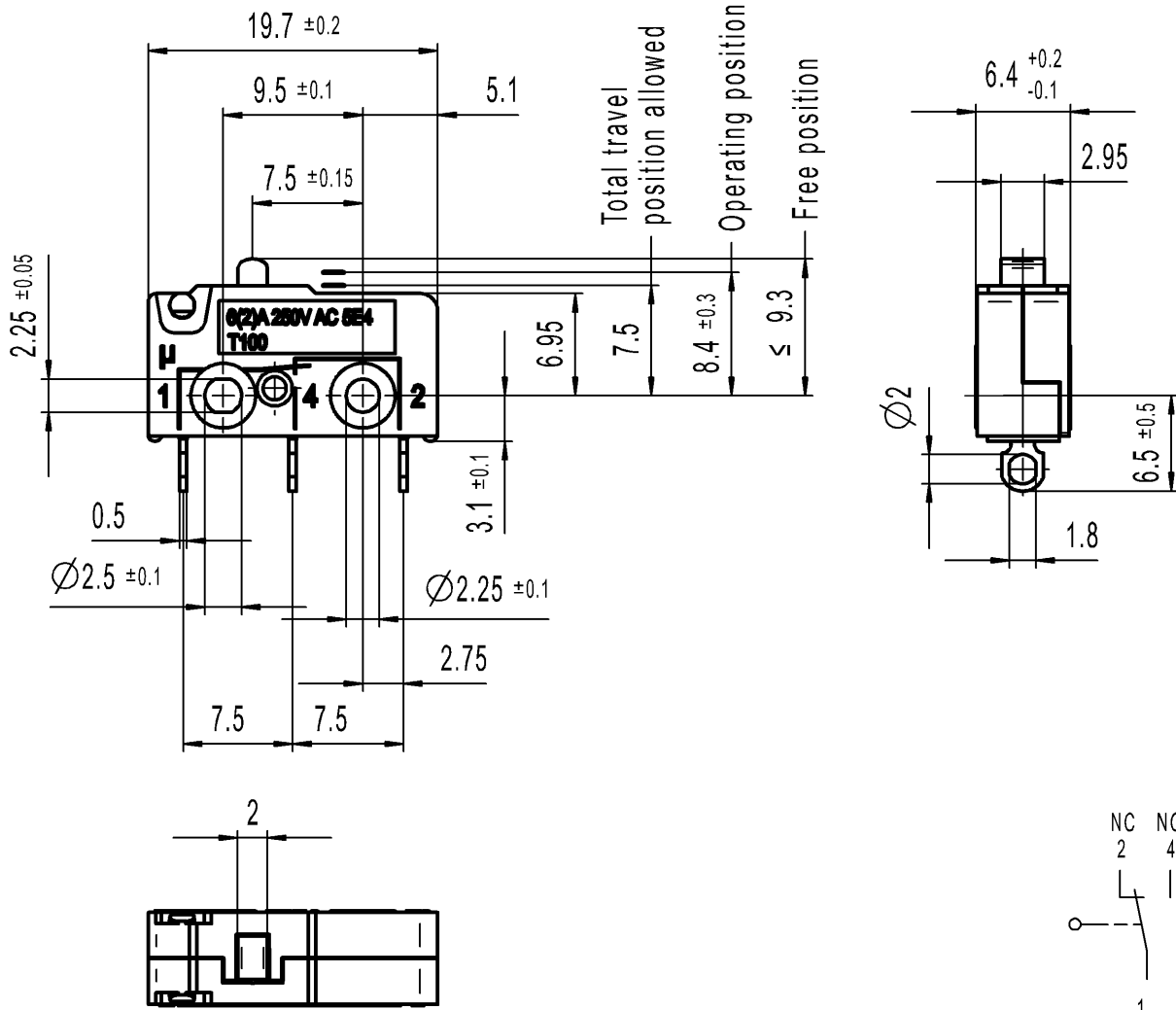


CONFIDENTIAL

VERTRAULICH

Alle Rechte bei Marquardt, auch fuer den Fall von Schutzrechtsanmeldungen. Jede Veruegungsbefugnis, wie Kopier- und Weitergaberecht, bei uns.

THIS DRAWING IS THE EXCLUSIVE PROPERTY OF MARQUARDT. WITHOUT THEIR CONSENT IT MAY NOT BE REPRODUCED OR GIVEN TO THIRD PARTIES.



Marking



6(2)A 250V AC 5E4
T100



Code of manufacture:
place / year / week

Single Pole Changeover

Actuating force

≤ 1.5 N

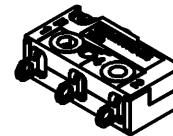
Release force

≥ 0.5 N

Movement differential

≤ 0.2 mm

Housing sealed on terminal side



1:1

-		-		-		1050.0102-XX	
Figure		Type		Customer Part No.		Art.No.-PI	
Shape and location	Angle ± 2°	Length		Radii		Sheet	01
	Edge tolerance	0-6	± 0.2	±	0-6	± 0.2	Ident.
⊙ ≡		>6-15	± 0.3	±	>6-15	± 0.3	Document number
		>15-30	± 0.3	±			10500102
							Index
							c
				All dimensions are in millimetres		Snap Action Switch	
c	141307	2022-02-14		HHE	System NX V1872		
b	29551	2000-06-21		PFU			
a	0	1994-07-07		MK	Replacement of		
Index	MEC-No.	Date (YYYY-MM-DD)		Edited by			

