

Print page



·DC· MD175EAP



172x150x55mm / 5x2.17inch
335~155 CFM

Metal Impeller DC Fan

Model No	Rated Volt	Voltage Range	Input Power	Rated Current	Ref. Speed	Max. Airflow		Max. Static Pressure		Noise Level	PQ Curves
	VDC	VDC	Watt	Amp	RPM	CFM	m ³ /min	Inch/H ₂ O	mm	db(A)	
MD175EAP-12SH**7	12	8~14	64.8	5.4	4100	310	8.8	1.05	26.67	63	SH
MD175EAP-12HH**7	12	8~14	50.4	4.2	3900	295	8.4	0.97	24.64	59	HH
MD175EAP-12H**7	12	8~14	23	1.9	3700	275	7.8	0.93	23.62	55	H
MD175EAP-12M**7	12	9~14	13.2	1.1	2800	210	5.9	0.70	17.78	46	M
MD175EAP-12L**7	12	9~15	5.5	0.45	2000	155	4.4	0.49	12.45	37	L
MD175EAP-24SH**7	24	15~28	63.6	2.65	4400	335	9.5	1.15	29.21	65	SH
MD175EAP-24HH**7	24	15~28	50.4	2.1	4200	318	9	1.08	27.43	63	HH
MD175EAP-24H**7	24	15~28	24	0.97	3900	295	8.4	0.97	24.64	60	H
MD175EAP-24M**7	24	17~28	13	0.52	2800	210	5.9	0.70	17.78	46	M
MD175EAP-24L**7	24	17~28	5	0.20	2000	155	4.4	0.49	12.45	37	L
MD175EAP-48SH**7	48	22~53	62.4	1.3	4400	335	9.5	1.15	29.21	65	SH
MD175EAP-48HH**7	48	22~53	49.4	1.03	4200	318	9	1.08	27.43	63	HH
MD175EAP-48H**7	48	22~55	23.5	0.48	3900	295	8.4	0.93	23.62	60	H
MD175EAP-48M**7	48	24~58	14.5	0.30	2800	210	5.9	0.70	17.78	46	M
MD175EAP-48L**7	48	24~60	5.8	0.12	2000	155	4.4	0.49	12.45	37	L

- ** = "WB" for wire lead type Ball bearing, or "TB" for terminal type Ball bearing
- Sinwan reserves the right to change data and improve electrical & mechanical design without notice, data tolerance +-10%

Motor

Motor Type: Microprocessor brushless DC Motor, auto cutoff, auto restart

Burnout Protection: Electronically protected, polarity protected

IP Protection: IP55,56 optional request

Mechanical

Frame: Aluminum die cast, black color(AP)

Impeller: 7 blades, all metal

Bearing: Two ball bearings

Rotation: CW seen on rotor

Connection: Wire lead or terminal flat pin connecting

Weight: 920 g (2.02 Lbs)

Electronical

Dielectric Strength: 500 VAC/min. Max leakage 0.5mA

Speed Control: Optional: PWM, S/C NTC thermister, S/V (0~10V) speed control on request

Signal Output: Optional: R/D alarm output, tachometer output

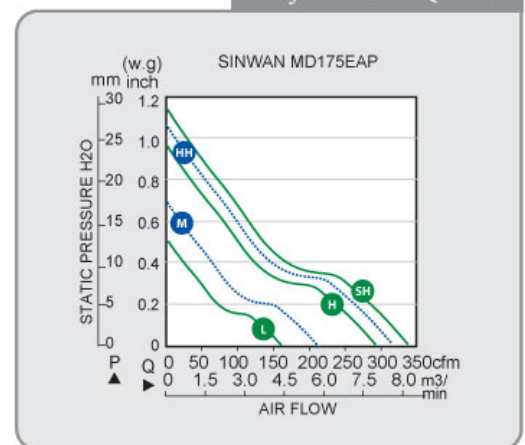
Environment

Operating Temp: -20C~+65C

Storage Temp: -20C~+75C (at 65%RH)

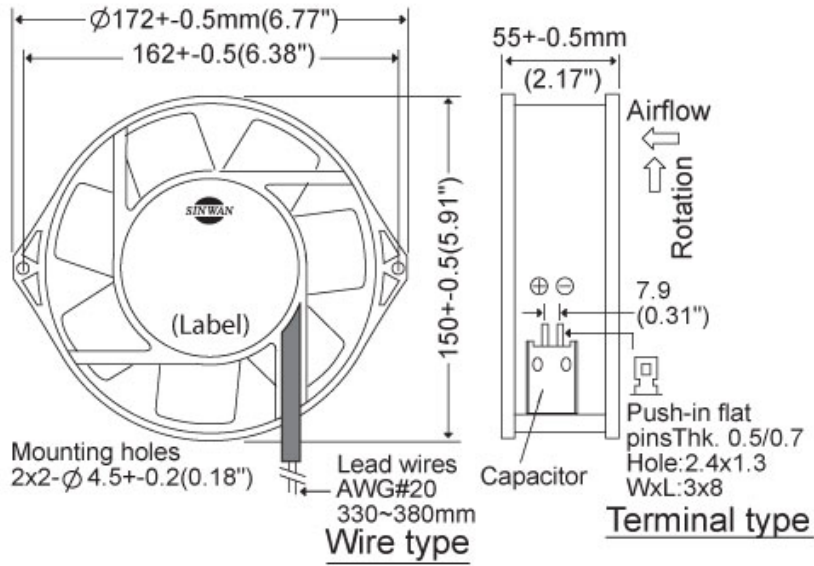
Life Expectancy: L10 50K hours at 50C

► Performance P-Q Curves



-  Nomenclature
-  R/D Alarm
-  F/G Tach
-  S/C Function
-  PWM Function

▶ Outline Dimensions



Relevant products



Metal Fan Guard

G172-10H, G172-10HA



Plastic Fan Guard
G172P



Plastic Fan Filter

GRM172-30, GRM172-45



Metal Fan Screen
MF172S-30N

