

Print page



·DC· MD173AP



172x150x38.5mm / 6x1.5inch
270~130 CFM

Metal Impeller DC Fan

Model No	Rated Volt	Voltage Range	Input Power	Rated Current	Ref. Speed	Max. Airflow		Max. Static Pressure		Noise Level	PQ Curves
	VDC	VDC	Watt	Amp	RPM	CFM	m3/min	Inch/H2O	mm	db(A)	
MD173AP-12SH**	12	7~13.8	64.8	5.4	4200	260	7.4	0.98	24.89	62	SH
MD173AP-12HH**	12	7~13.8	50.4	4.2	4000	250	7.1	0.93	23.62	60	HH
MD173AP-12H**	12	7~13.8	23	1.9	3800	230	6.5	0.90	22.86	57	H
MD173AP-12M**	12	7~13.8	13.2	1.1	3300	215	6.1	0.79	20.07	46	M
MD173AP-12L**	12	5.5	5.5	0.45	2000	130	3.7	0.5	12.7	39	L
MD173AP-24SH**	24	15~27.6	63.6	2.65	4300	270	7.6	1.03	26.16	62	SH
MD173AP-24HH**	24	15~27.6	50.4	2.1	4100	255	7.2	0.94	23.88	60	HH
MD173AP-24H**	24	15~27.6	24	0.97	3850	240	6.8	0.93	23.62	57	H
MD173AP-24M**	24	15~27.6	13	0.52	3300	215	6.1	0.79	20.07	46	M
MD173AP-24L**	24	15~28	5	0.20	2000	130	3.7	0.5	12.7	39	L
MD173AP-48SH**	48	22~53	62.4	1.3	4300	270	7.6	1.03	26.16	62	SH
MD173AP-48HH**	48	22~53	49.4	1.03	4100	255	7.2	0.94	23.88	60	HH
MD173AP-48H**	48	22~55	23.5	0.48	3850	240	6.8	0.93	23.62	57	H
MD173AP-48M**	48	22~58	14.5	0.30	3300	215	6.1	0.79	20.07	46	M
MD173AP-48L**	48	22~60	5.8	0.12	2000	130	3.7	0.5	12.7	39	L

- ** = "WB" for wire lead type Ball bearing, or "TB" for terminal type Ball bearing
- Sinwan reserves the right to change data and improve electrical & mechanical design without notice, data tolerance +-10%

Motor

Motor Type: Microprocessor brushless DC Motor, auto cutoff, auto restart
Burnout Protection: Electronically protected, polarity protected
IP Protection: IP55,56 optional request

Mechanical

Frame: Aluminum die cast, black color(AP)
Impeller: 5 blades, all metal
Bearing: Two ball bearings
Rotation: CW seen on rotor
Connection: Wire lead or terminal flat pin connecting
Weight: 640 g (1.4 Lbs)

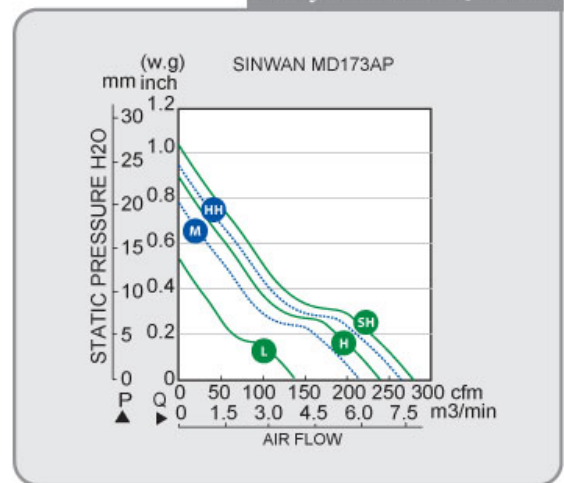
Electronical

Dielectric Strength: 500 VAC/min. Max leakage 0.5mA
Speed Control: Optional: PWM, S/C NTC thermister
Signal Output: Optional: R/D alarm output, tachometer output

Environment

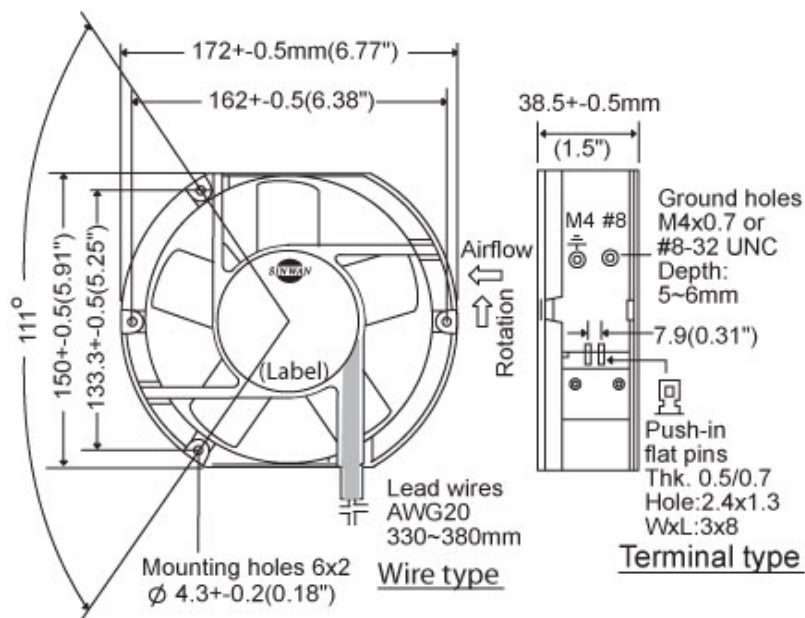
Operating Temp: -20C~+65C
Storage Temp: -20C~+75C (at 65%RH)
Life Expectancy: L10 50K hours at 50C

▶ Performance P-Q Curves



-  Nomenclature
-  R/D Alarm
-  F/G Tach
-  S/C Function
-  PWM Function

▶ Outline Dimensions



Relevant products



Metal Fan Guard
G172-10H, G172-10HA



Plastic Fan Guard
G172P



Plastic Fan Filter
GRM172-30, GRM172-45



Metal Fan Screen
MF172S-30N



RoHS