

Print page



·DC· MCD624SP



Φ60xL.240x307x90mm
130~78 CFM

DC Crossflow fan

Model No	Rated Volt	Voltage Range	Input Power	Rated Current	Ref. Speed	Max.Airflow		Max.Static Pressure		Noise Level	PQ Curves
	VDC	VDC	Watt	Amp	RPM	CFM	m3/min	Inch/H2O	mm	db(A)	
MCD624SP-12H** (****#)	12	8~13.8	18	1.5	2600	130	3.7	0.23	5.84	47	
MCD624SP-12M** (****#)	12	8~14	13	1.08	2000	103	2.9	0.14	3.56	36	
MCD624SP-12L** (****#)	12	8~13.8	10	0.83	1500	78	2.2	0.08	2.03	28	
MCD624SP-24H** (****#)	24	15~27.6	16	0.67	2600	130	3.7	0.23	5.84	47	
MCD624SP-24M** (****#)	24	15~27.6	13	0.54	2000	103	2.9	0.14	3.56	36	
MCD624SP-24L** (****#)	24	15~27.6	10	0.42	1500	78	2.2	0.08	2.03	28	
MCD624SP-48H** (****#)	48	24~56	16	0.33	2600	130	3.7	0.23	5.84	47	
MCD624SP-48M** (****#)	48	24~56	13	0.27	2000	103	2.9	0.14	3.56	36	
MCD624SP-48L** (****#)	48	24~56	10	0.21	1500	78	2.2	0.08	2.03	28	

- ** = "WB" for wire lead type Ball bearing, or "TB" for terminal block type Ball bearing
 - (****#) = (RENON),(LESGN),(RESG F/G),
 - 1st* = R, L, C - Motor position
 - 2nd* = E, V, Q, H - Air outlet direction
 - 3rd* = S, N - Shield Guard for motor
 - 4th* = G, O - Grill Guard for Impeller
 - # = R/D, F/G, S/C, P/W, S/V, N - Motor Function, N = none, normal motor
- Please click Nomenclature to have full & clear model No.
- Sinwan reserves the right to change data and improve electrical & mechanical design without notice, data tolerance +-10%

Motor

Motor Type: Sinwan Brushless DC Motor MED173AN
Burnout Protection: Electronically protected, polarity & locked rotor protection
IP Protection: IP ratings on request

Mechanical

Frame: Steel plate housing and frame, black coating
Impeller: Aluminum alloy fan blades
Bearing: 3 high precision permanently lubricated ball bearings
Rotation: Motor at right side (R type), left (L type) for choice, viewed from air outlet
Connection: Wire leads * Leads with terminal block on request
Weight: 1,000g (2.20Lbs)

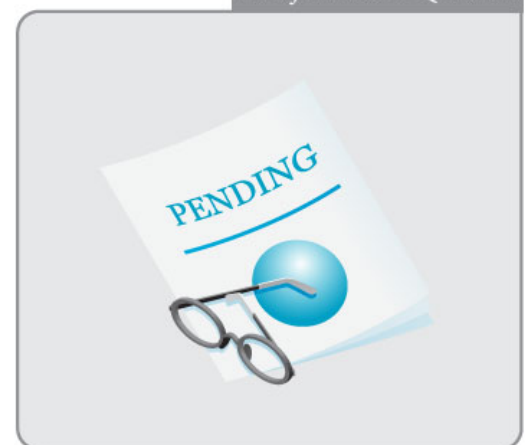
Electrical

Dielectric Strength: 500 VAC/min. Max leakage 0.5mA
Speed Control: Optional: PWM, S/C NTC thermister
Signal Output: Optional: RD Rotation Detactor, FG Frequency Generator

Environment

Operating Temp: -20C~+65C
Storage Temp: -20C~+75C (at 65%RH)
Life Expectancy: L10 50K hours at 45°C, 30K hours at 60°C

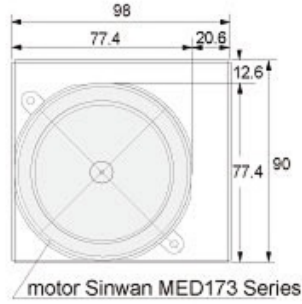
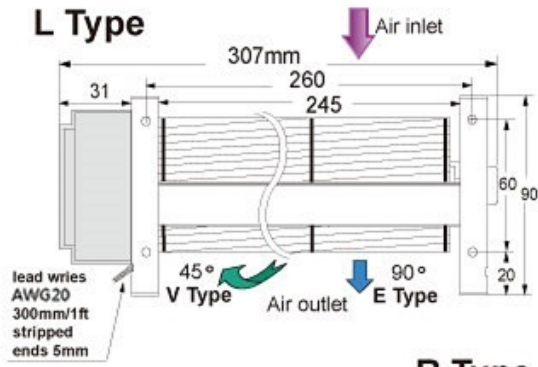
► Performance P-Q Curves



-  Nomenclature
-  R/D Alarm
-  F/G Tach
-  S/C Function

▶ Outline Dimensions

L Type



Relevant products



Motor
Sinwan Motor MED173AN

R Type

