

Print page



**·DC· MCD618SP**



**Φ60xL.180x246x90mm**  
**105~60 CFM**

DC Crossflow fan

Model No	Rated Volt	Voltage Range	Input Power	Rated Current	Ref. Speed	Max.Airflow		Max.Static Pressure		Noise Level	PQ Curves
	VDC	VDC	Watt	Amp	RPM	CFM	m3/min	Inch/H2O	mm	db(A)	
MCD618SP-12H** (****#)	12	8~13.8	17	1.42	2750	105	3	0.17	4.32	47	
MCD618SP-12M** (****#)	12	8~13.8	14	1.17	2000	81	2.3	0.12	3.05	36	
MCD618SP-12L** (****#)	12	8~13.8	9	0.75	1500	60	1.7	0.09	2.29	30	
MCD618SP-24H** (****#)	24	15~27.6	16	0.67	2750	105	3	0.17	4.32	47	
MCD618SP-24M** (****#)	24	15~27.6	13	0.54	2000	81	2.3	0.12	3.05	36	
MCD618SP-24L** (****#)	24	15~27.6	9	0.38	1500	61	1.7	0.09	2.29	30	
MCD618SP-48H** (****#)	48	22~55	16	0.34	2750	105	3	0.17	4.32	47	
MCD618SP-48M** (****#)	48	22~55	13	0.27	2000	81	2.3	0.12	3.05	36	
MCD618SP-48L** (****#)	48	24~56	9	0.19	1500	60	1.7	0.09	2.29	30	

- \*\* = "WB" for wire lead type Ball bearing, or "TB" for terminal block type Ball bearing
  - (\*\*\*\*#) = (RENON),(LESGN),(RESG F/G), ....
  - 1st\* = R, L, C - Motor position
  - 2nd\* = E, V, Q, H - Air outlet direction
  - 3rd\* = S, N - Shield Guard for motor
  - 4th\* = G, O - Grill Guard for Impeller
  - # = R/D, F/G, S/C, P/W, S/V, N - Motor Function, N = none, normal motor
- Please click Nomenclature to have full & clear model No.
- Sinwan reserves the right to change data and improve electrical & mechanical design without notice, data tolerance +-10%

**Motor**

Motor Type: Sinwan Brushless DC Motor MED173AN  
Burnout Protection: Electronically protected, polarity & locked rotor protection  
IP Protection: IP ratings on request

**Mechanical**

Frame: Steel plate housing and frame, black coating  
Impeller: Aluminum alloy fan blades  
Bearing: 3 high precision permanently lubricated ball bearings  
Rotation: Motor at right side (R type), left (L type) for choice, viewed from air outlet  
Connection: Wire leads \* Leads with terminal block on request  
Weight: 950g (2.09Lb)

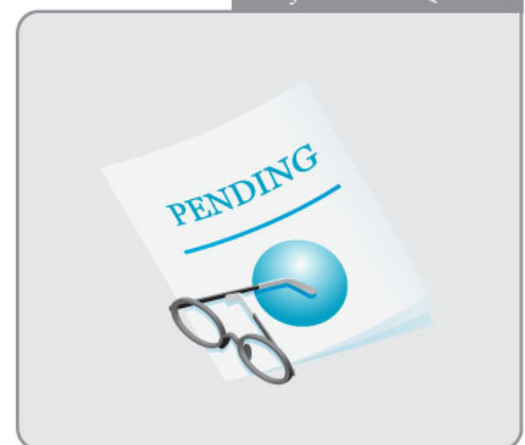
**Electrical**

Dielectric Strength: 500 VAC/min. Max leakage 0.5mA  
Speed Control: Optional: PWM, S/C NTC thermister  
Signal Output: Optional: RD Rotation Detactor, FG Frequency Generator

**Environment**

Operating Temp: -20C~+65C  
Storage Temp: -20C~+75C (at 65%RH)  
Life Expectancy: L10 50K hours at 45°C, 30K hours at 60°C

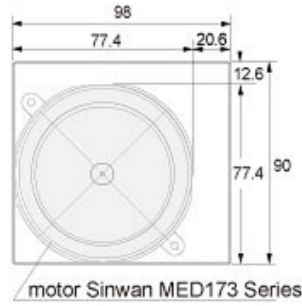
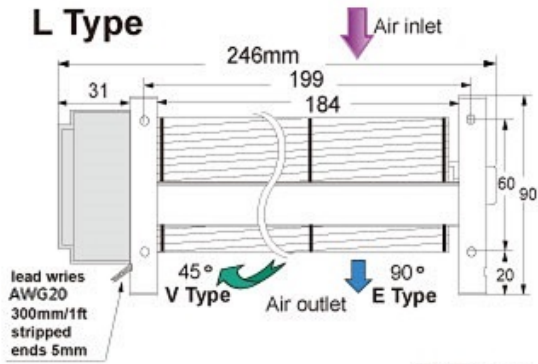
► Performance P-Q Curves



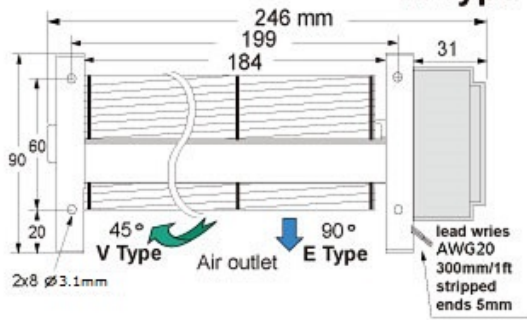
-  Nomenclature
-  R/D Alarm
-  F/G Tach
-  S/C Function

▶ Outline Dimensions

**L Type**



**R Type**



Relevant products



Motor  
Sinwan Motor MED173AN

