



E89520 fans

 E329400 motors

Language

ENGLISH

[Home](#)
[About Sinwan](#)
[Technical Support](#)
[Contact Us](#)

[AC Fans](#)
[DC Fans](#)
[EC Fans](#)
[IP68/IP69K Fans](#)
[Heat-Resistant Fans](#)
[Reversible Flow Fans](#)
[Fan Accessories](#)
[Motors](#)

Print page



·AC· MCA519SP



Φ50xL.190x266x70mm

73~40 CFM, AC Crossflow fan

Model No	Rated Volt	Voltage Range	Freq	Input Power	Ref. Speed	Max.Airflow		Max.Static Pressure		Noise Level
	VAC	VAC	Hz	Watt	RPM	CFM	m3/min	Inch/H2O	mm	db(A)
MCA519SP11-1** (****#)	115	100~120	50/60	21/20	2100/2200	65/58	1.8/1.6	0.13/0.18	3.3/4.57	37
MCA519SP11-2** (****#)	115	100~120	50/60	18/16	1700/1600	53/45	1.5/1.3	0.11/0.13	2.79/3.3	33
MCA519SP22-1** (****#)	230	200~240	50/60	21/20	2100/2200	65/58	1.8/1.6	0.13/0.18	3.3/4.57	37
MCA519SP22-2** (****#)	230	200~240	50/60	18/16	1700/1600	53/45	1.5/1.3	0.11/0.13	2.79/3.3	33
MCA519SP11/22-1** (****#)	115	100~120	50/60	21/20	2100/2200	65/58	1.8/1.6	0.13/0.18	3.3/4.57	37
Dual voltage	230	200~240								

• ** = "WB" for wire lead type Ball bearing, or "TB" for terminal block type Ball bearing

• (****#) = (RENON),(LESGN),(RESG F/G),

1st* = R, L, C - Motor position

2nd* = E, V, Q, H - Air outlet direction

3rd* = S, N - Shield Guard for motor

4th* = G, O - Grill Guard for Impeller

= R/D, F/G, S/C, P/W, S/V, N - Motor Function, N = none, normal motor

Please click Nomenclature to have full & clear model No.

• 100, 200, 240V or special voltages 12, 24, 28, 38, 42, 48, 380~440~480... 50/60Hz, & dual voltage version available on request.

• Dual speed High/Medium 1/2, High/Low 1/3, Medium/Low 2/3, Low/extra Low 3/4 or triple speed 1/2/3 available on request.

• Sinwan reserves the right to change data and improve electrical or mechanical design without notice, data tolerance +-10%

Motor

Motor Type: Shaded pole, inner rotor, 2 pole, single phase, Sinwan Motor MIA109AN

Burnout Protection: Impedance protected

IP Protection:

Mechanical

Frame: Steel alloy sheet housing & frame, coating black or galvanized

Impeller: Aluminum alloy fan blades

Bearing: Permanently lubricated ball bearings for motor and bracket

Rotation: CW motor at right (R), CCW at left (L), seen from air outlet

Connection: Wire leads or terminal block connecting for choice

Weight: 730Gm (1.6 Lbs)

Electrical

Dielectric Strength: Over 1 min. at 1,500VAC, 0.5mA, 50/60Hz

Insulation Resistance: Over 100 MΩ at DC 500V

Signal Output: Optional:R/D alarm output, tachometer output

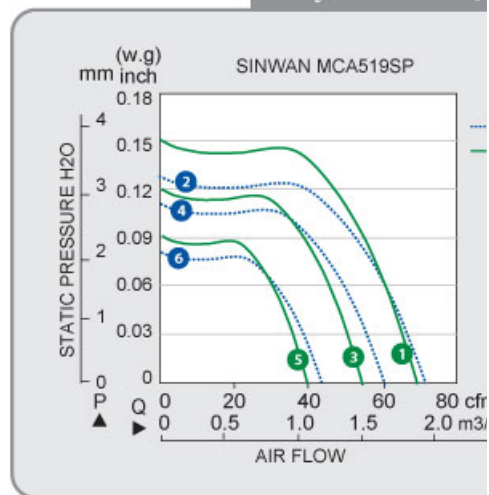
Environment

Operating Temp: Acceptable -25°C~+65°C

Storage Temp: -30°C~+90°C (65%RH)

Life Expectancy: 40K hrs at 45°C, 25K hrs at 65°C

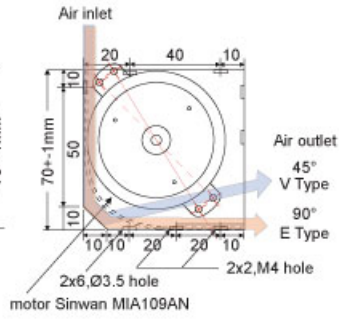
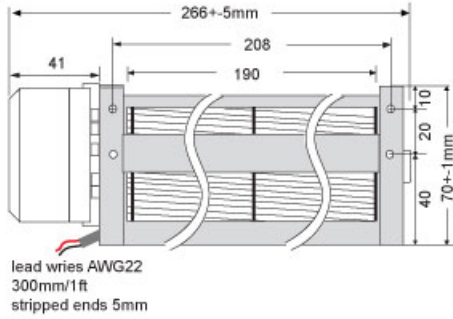
Performance P-Q



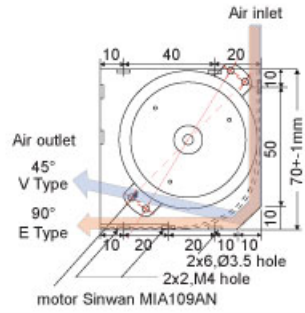
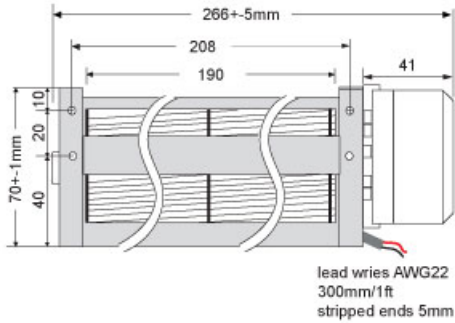
Nomenclature
 F/G Tach
 R/D Alarm
 Dual Voltage
 Multiple Speed

► Outline Dimensions

L Type



R Type



Relevant products



Motor
Sinwan Motor MIA109AN



Sinwan Electric Industries Co., Ltd.

Email: sinwanfan@sinwan.com.tw

TEL: 886-2-26620728

FAX: 886-2-26627019