



VREuV8 400V

S24-A5-1

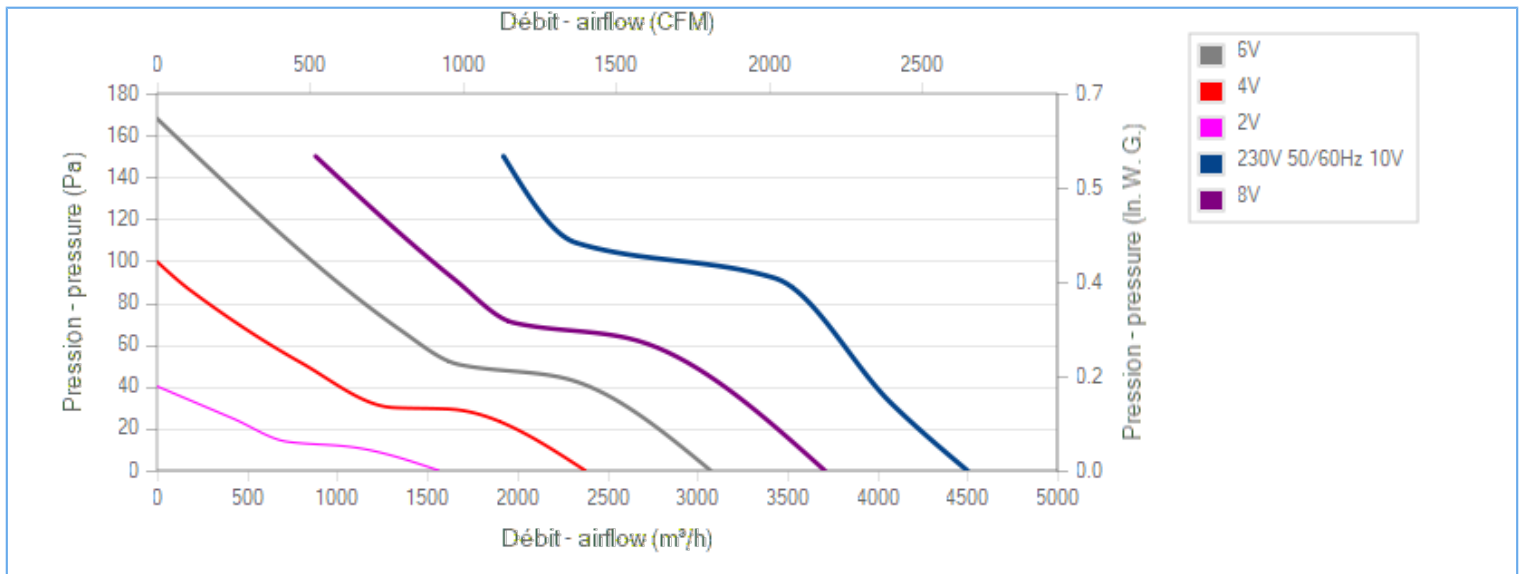
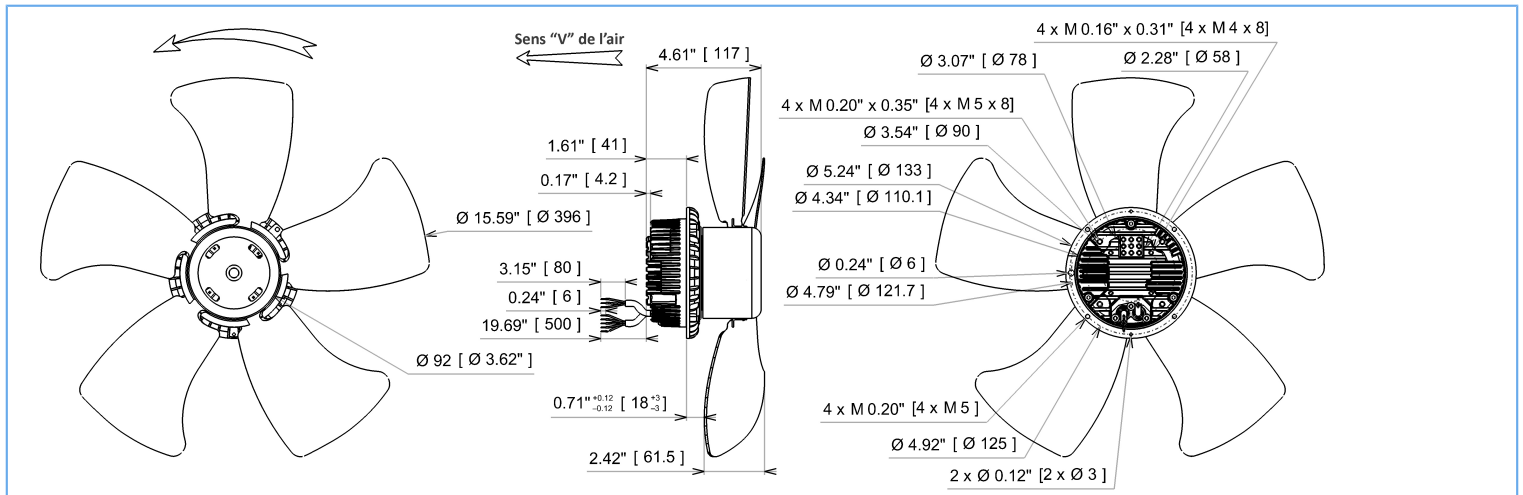
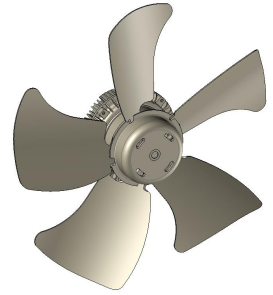


**DATA SHEET**

release. 0 - Revision 05-2019

Voltage	Frequency	Input Power	Input Current	Airflow	Rotation speed	Direction rotation	Admissible Temperature
V	Hz	W	A	m <sup>3</sup> /h	RPM		Min/Max
230	50/60	192	0,86	4500	1595	L	-25°C / +60°C
230	50/60	2648 CFM					-13°F / 140°F

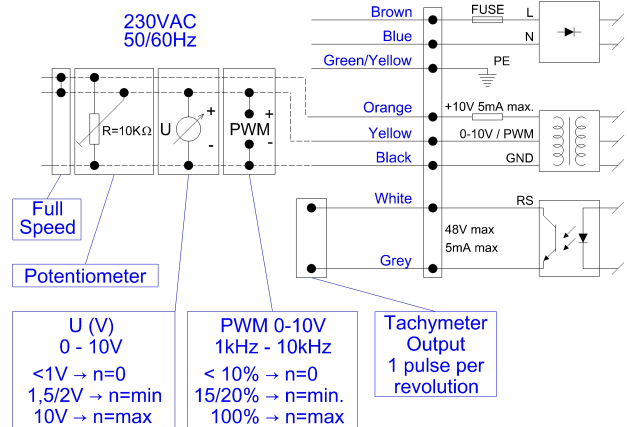
ErP 2013 **OK** ErP 2015 **OK**



Tested with ECOFIT ring

**Description**

- .Weight : 4,0 Kg
- .Ball bearing
- .Insulation Class F
- .IP54 protection depending on installation and position as per EN60034-5
- .G6.3 balancing
- .Rotor electrolytic galvanizing protection
- .Impeller black painted
- .Motor - UL Recognized component





VREuV8 400V

S24-A5-1



# DATA SHEET

release. 0 - Revision 05-2019

## Data in accordance to ErP directive

Voltage	230	V
Frequency	50	Hz
Power	0,242	kW <sup>(1)</sup>
Airflow	3432	m <sup>3</sup> /h <sup>(1)</sup>
Pressure	92	Pa <sup>(1)</sup>
Rotation speed	1610	RPM <sup>(1)</sup>

(1) at optimal efficiency point

	Actual	Request 2013	Request 2015
Overall efficiency ( $\eta$ )	40,9	25,8	29,8
Efficiency grade	51	36	40
Installation category	A		
Efficiency category	static		
Variable speed drive	Yes		
Specific ratio	1,00		

Designed for regular application according ErP directive EU 2009/125/EC

## Accessories

21420

## Measurement setup

16088 VIROLE V400 RONDE

## Documents

Manuel d'utilisation  
[www.ecofit.com/site/normes](http://www.ecofit.com/site/normes)

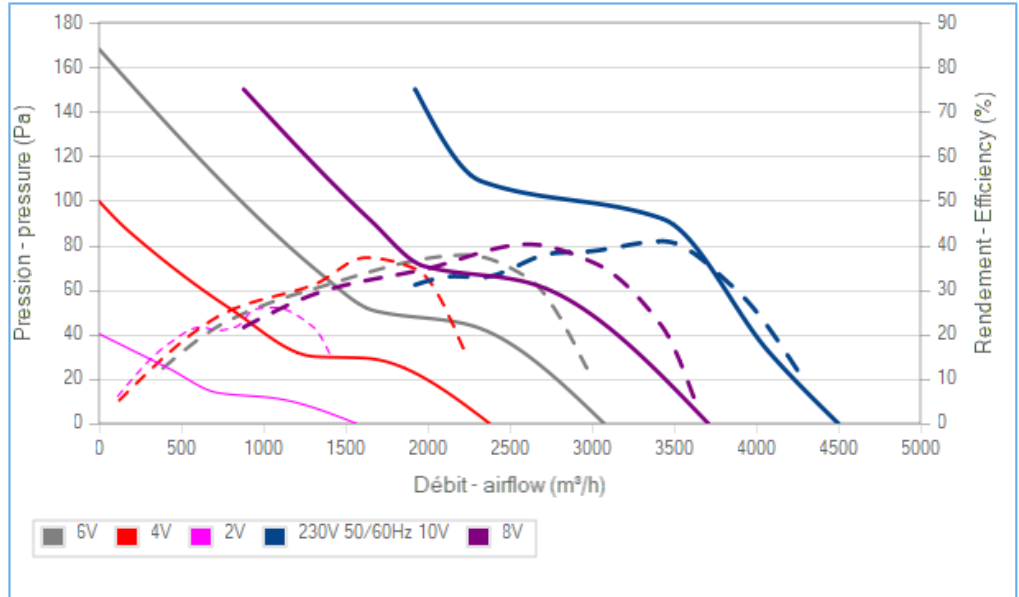
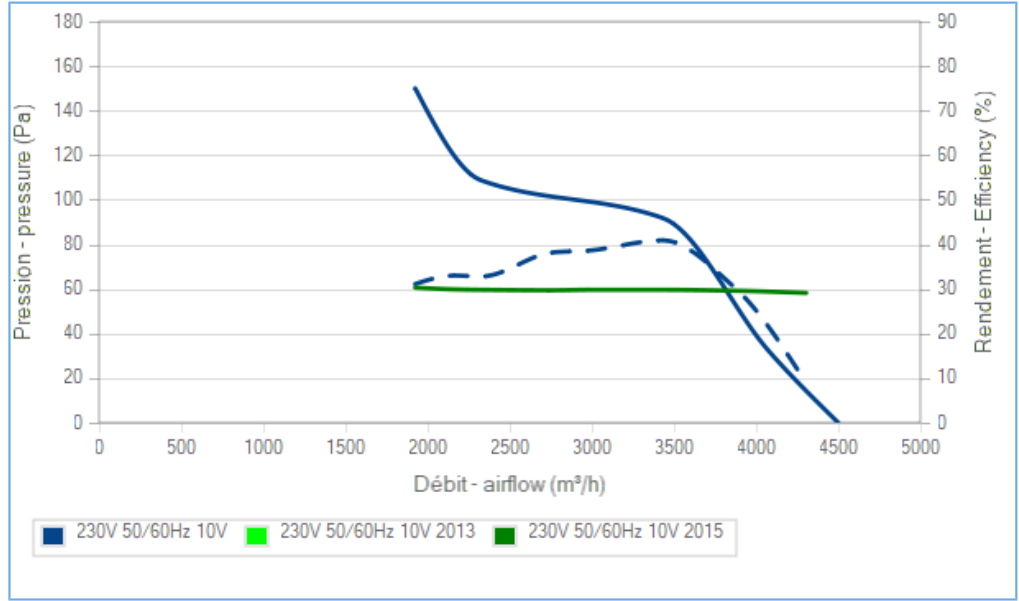
Operating and recycling manual  
[www.ecofit.com/anglais/normes](http://www.ecofit.com/anglais/normes)



IEC 60335-2-80:2002 + A1:2004 + IEC 60335-1:2010  
 EN 60335-2-80:2003 + A1:2004 + A2:2009 + EN 60335-1:2012  
 RT9382CE



UL1004-1, 2nd edition "rotating electrical machine"  
 UL1004-3, 1st edition "thermally protected motors"  
 UL1004-7, 2nd edition "electronically protected motors"  
 C22.2 N°100-04, 6th edition "motors and generator"  
 C22.2 N°77-95, 7th edition "motors with inherent overheating protection"  
 UL Motor Model : RT9382  
 File Number : E326930 XDNW2,8



La courbe de rendement intègre le facteur de compensation de charge partielle du règlement (UE) n°327/2011  
 The efficiency curve includes part load compensation factor of regulation (EU) n°327/2011

Non contractual document. All specifications are subject to change without prior notice. Picture for information only.