



VREuG9 300V

M43-A7-1



DATA SHEET

release. b - Revision 05-2019

Voltage	Frequency	Input Power	Input Current	Airflow	Rotation speed	Acoustic level	Direction rotation	Admissible Temperature
V	Hz	W	A	m ³ /h	RPM	dBA		Min/Max
230	50/60	81	0,7	2180	1630	62	L	-20°C / +50°C
230	50/60	1283 CFM			-4°F / 122°F			

dBA : free blowing

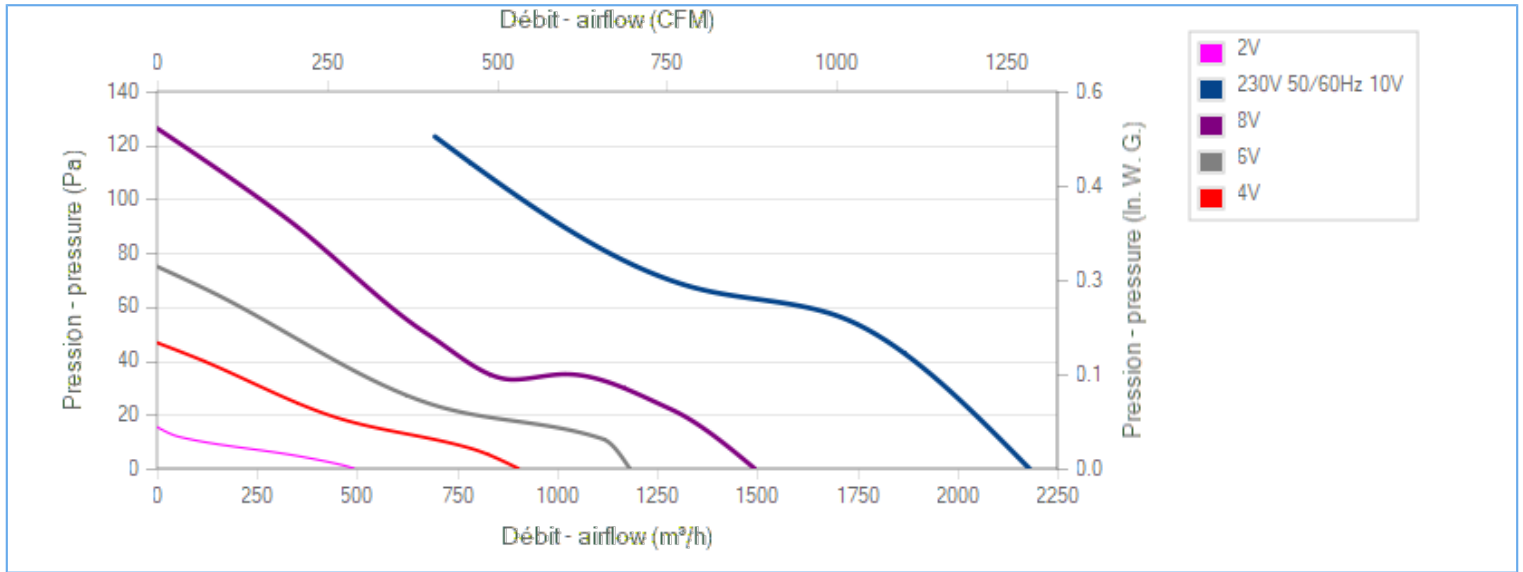
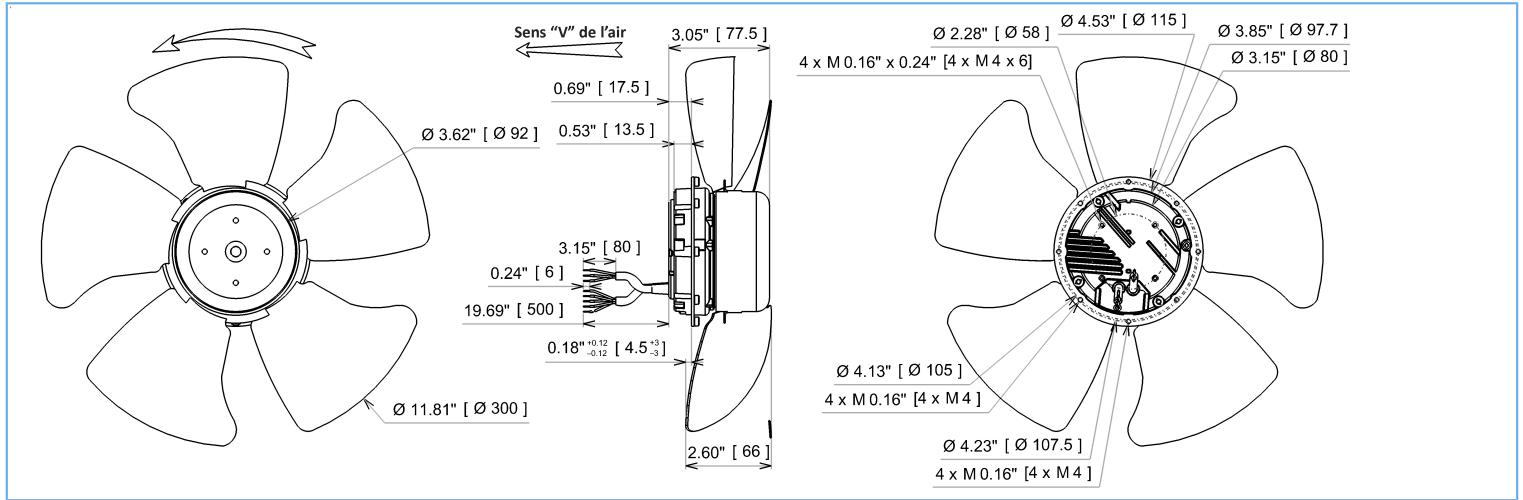
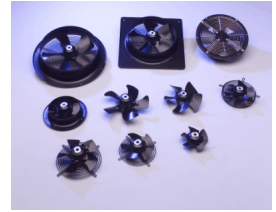
NA : not applicable

ErP 2013

NA

ErP 2015

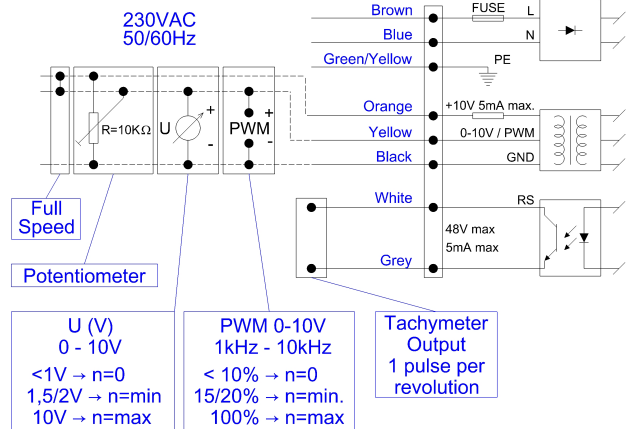
NA



Tested with ECOFIT ring

Description

- .Weight : 1,9 Kg
- .Ball bearing
- .Insulation Class F
- .IP4x may be IP44 according to EN60034-5 after checking the integration into the customer appliance
- .G6.3 balancing
- .Rotor and impeller : black paint
- .Motor - UL Recognized component





VREuG9 300V

M43-A7-1



DATA SHEET

release. b - Revision 05-2019

Data in accordance to ErP directive

Voltage	230	V
Frequency	50	Hz
Power	0,110	kW ⁽¹⁾
Airflow	1684	m ³ /h ⁽¹⁾
Pressure	58	Pa ⁽¹⁾
Rotation speed	1641	RPM ⁽¹⁾

(1) at optimal efficiency point

ErP directive (EU 2009/125/EC) not applicable :
Power at optimum energy efficiency point

Accessories

21190

Measurement setup

16086 VIROLE V300 RONDE

Documents

Manuel d'utilisation

www.ecofit.com/site/normes

Operating and recycling manual

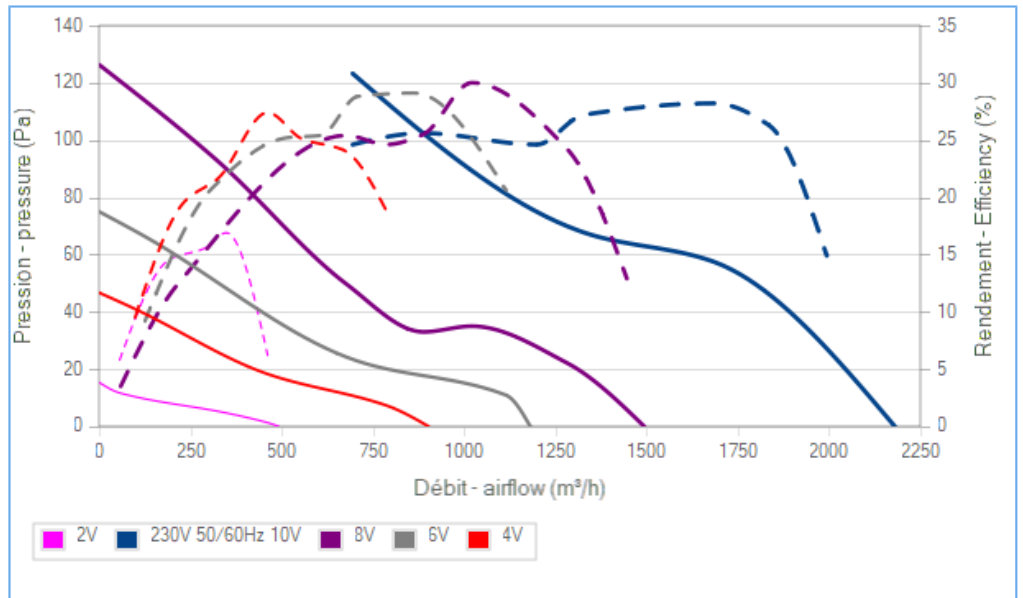
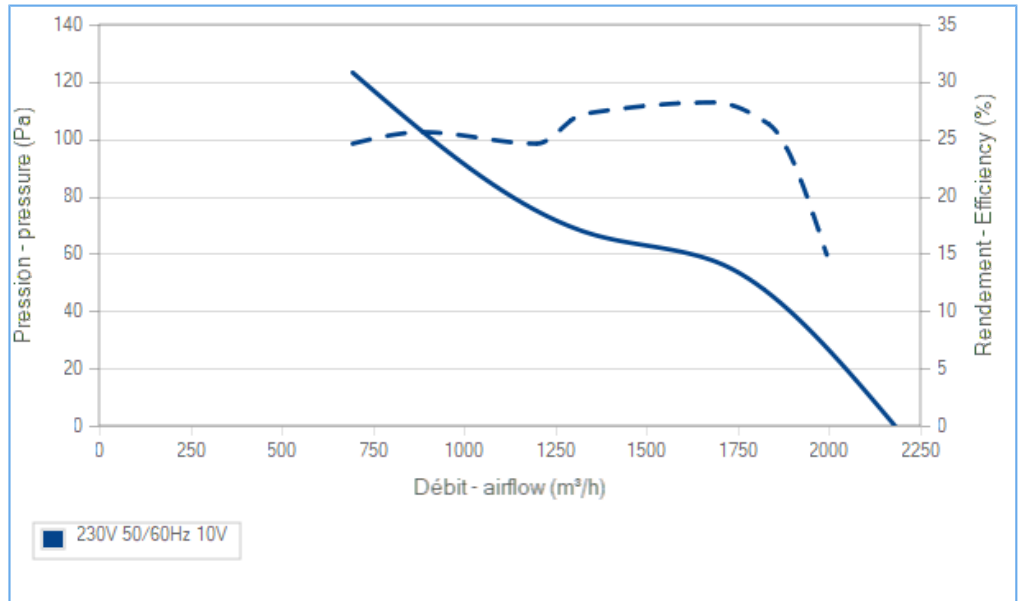
www.ecofit.com/anglais/normes



IEC 60335-2-80:2002 + A1:2004 +
IEC 60335-1:2010
EN 60335-2-80:2003 + A1:2004 + A2:2009 +
EN 60335-1:2012
RT9192CE



UL1004-1, 2nd edition "rotating electrical machine"
UL1004-3, 1st edition "thermally protected motors"
UL1004-7, 2nd edition "electronically protected motors"
C22.2 N°100-04, 6th edition "motors and generator"
C22.2 N°77-95, 7th edition "motors with inherent overheating protection"
UL Motor Model : RT9192
File Number : E326930 XDNW2,8



La courbe de rendement intègre le facteur de compensation de charge partielle du règlement (UE) n°327/2011
The efficiency curve includes part load compensation factor of regulation (EU) n°327/2011

Non contractual document. All specifications are subject to change without prior notice. Picture for information only.