



VREuG9 200V (120V)

M44-A3-1



DATA SHEET

release. b - Revision 03-2019

Voltage	Frequency	Input Power	Input Current	Airflow	Rotation speed	Acoustic level	Direction rotation	Admissible Temperature
V	Hz	W	A	m ³ /h	RPM	dBA	↻	Min/Max
120	50/60	106	1,56	1205	3515	66	R	-25°C / +60°C
120	50/60			709 CFM				-13°F / 140°F

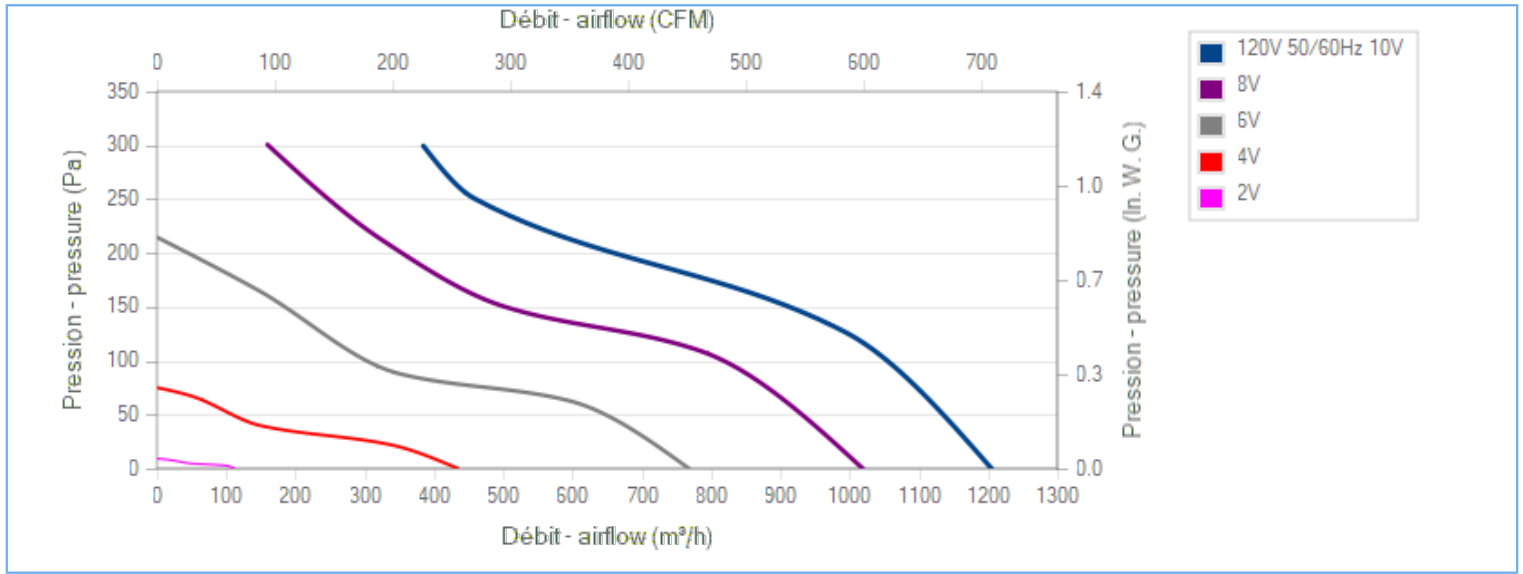
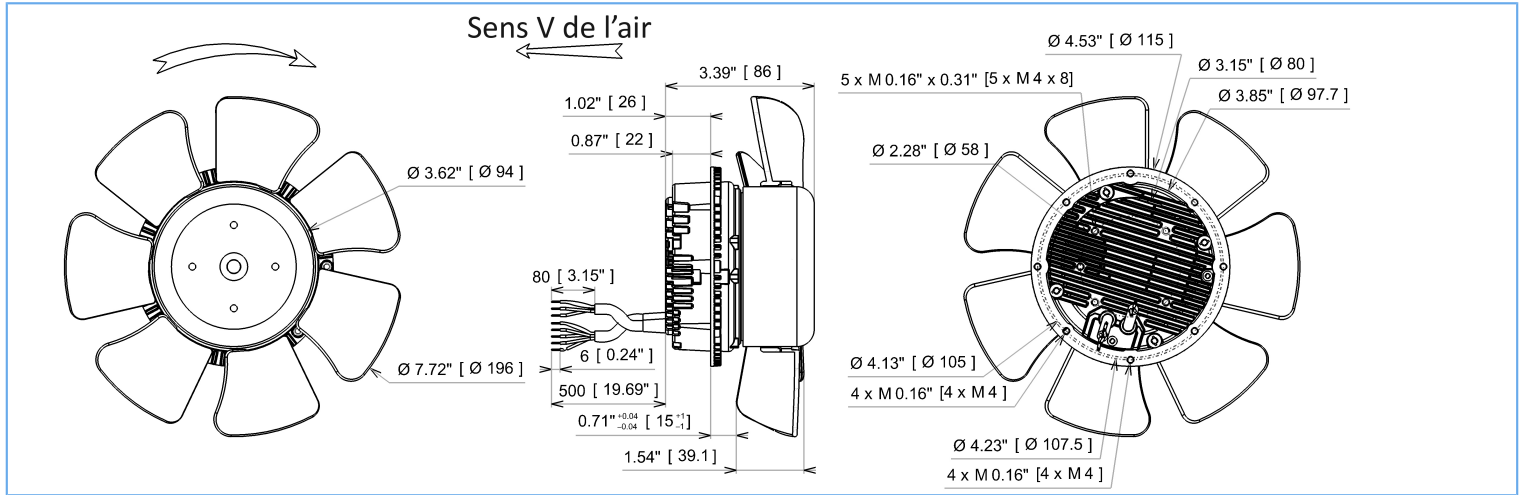
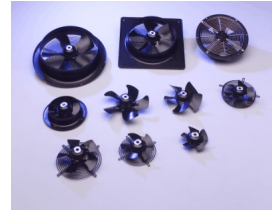
dBA : free blowing

ErP 2013

OK

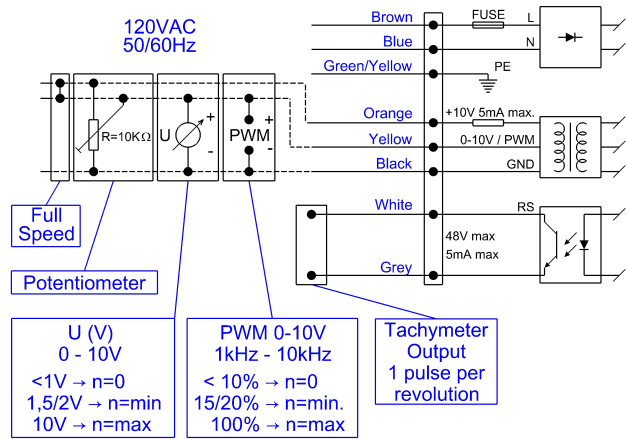
ErP 2015

OK



Description

- .Weight : 1,7 Kg
- .Ball bearing
- .Insulation Class F
- .IP4x may be IP44 according to EN60034-5 after checking the integration into the customer appliance
- .G6.3 balancing
- .Rotor : black paint
- .Plastic impeller PA 6/6 UL94 V0
- .Motor - UL Recognized component



Non contractual document. All specifications are subject to change without prior notice. Picture for information only.



VREuG9 200V (120V)

M44-A3-1



DATA SHEET

release. b - Revision 03-2019

Data in accordance to ErP directive

Voltage	120	V
Frequency	50	Hz
Power	0,125	kW ⁽¹⁾
Airflow	792	m ³ /h ⁽¹⁾
Pressure	177	Pa ⁽¹⁾
Rotation speed	3477	RPM ⁽¹⁾
(1) at optimal efficiency point		

	Actual	Request 2013	Request 2015
Overall efficiency (η)	35,7	24	28
Efficiency grade	48	36	40
Installation category	A		
Efficiency category	static		
Variable speed drive	Yes		
Specific ratio	1,00		

Designed for regular application according ErP directive EU 2009/125/EC

Accessories

21427

Measurement setup

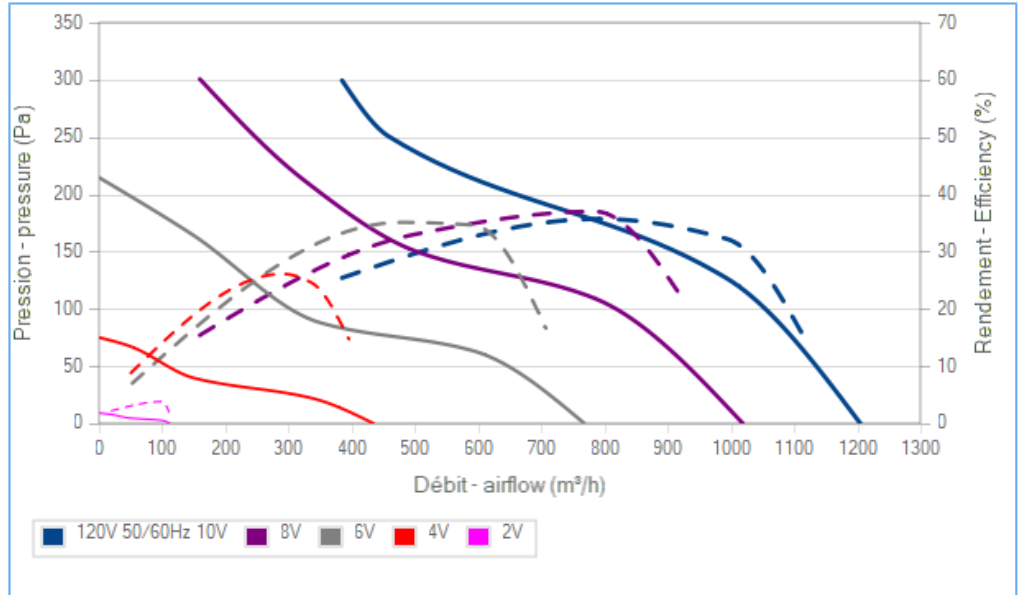
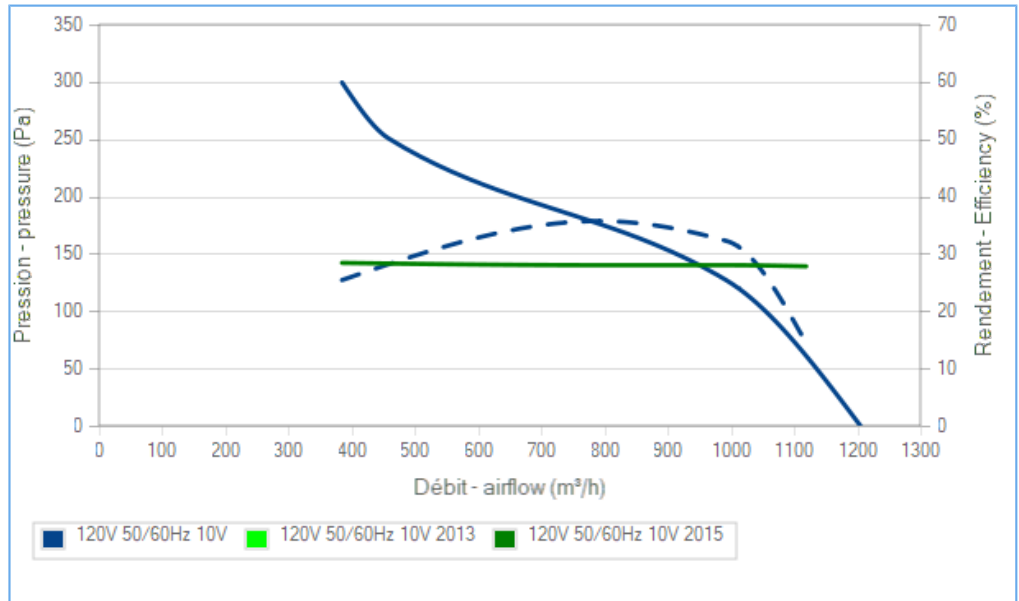
16084 VIROLE V200 RONDE

Documents

Manuel d'utilisation
www.ecofit.com/site/normes

Operating and recycling manual
www.ecofit.com/anglais/normes

UL1004-1, 2nd edition "rotating electrical machine"
 UL1004-3, 1st edition "thermally protected motors"
 UL1004-7, 2nd edition "electronically protected motors"
 C22.2 N°100-04, 6th edition "motors and generator"
 C22.2 N°77-95, 7th edition "motors with inherent overheating protection"
 UL Motor Model : RT9191
 File Number : E326930 XDNW2,8



La courbe de rendement intègre le facteur de compensation de charge partielle du règlement (UE) n°327/2011
 The efficiency curve includes part load compensation factor of regulation (EU) n°327/2011

Non contractual document. All specifications are subject to change without prior notice. Picture for information only.