

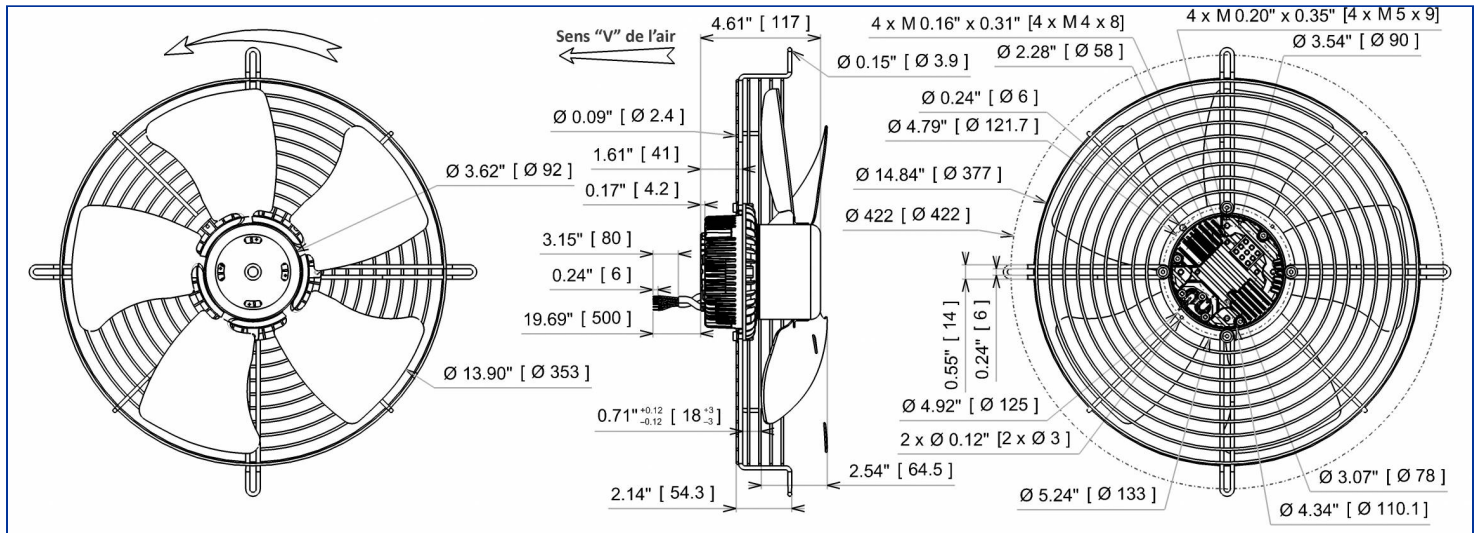


Designation **VPRuV8 350V**

Range Axial fans with electronic commutation motor

ELECTRICAL DATA

Tension (V)	230
Frequency (Hz)	50/60
Current (A)	0.69
Maximum current (A)	1.45
Power (W)	151
Maximum power (W)	298
Rotation (RPM)	1710
Cos Φ	0.951
Temperature min/max (°C)	-25/+60



MARKING & STANDARDS

Conformity

- **CE** RT9382CE IEC 60335-2-80:2002 + A1:2004
- **UL** RT9382 UL1004-1, 2nd edition rotating electrical machine File number E326930

The product is manufactured in accordance with EN 60335-1, UL1004-1, and RoHS directive 2015/863/CE
IP class according to EN 60034-5 to be checked with operation and installation

Issued: 2021-08-27 at 13:00 Documentations and pictures are non contractual, all the data of the technical file and the drawing are subject to change.

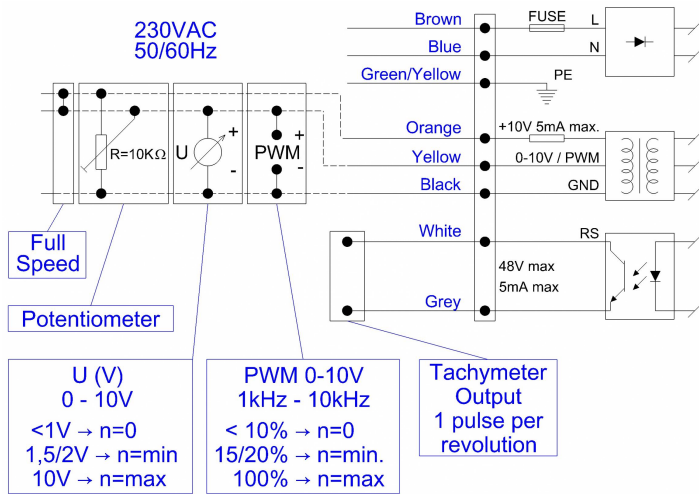
EN - Page 1 / 4

TECHNICAL DATA

Description

- Weight: 4.00 kg
- Class F
- Protection level: 54 | Protection against ingress of dust / Protection against ingress of water : splashing
- Motor's protection Electronically protected
- Bearing type: 2 ball bearings 6000ZZ
- Balance level: G6.3

Wiring diagram



Finishes

- Finger guard : black paint
- Impeller black painted
- Motor - UL Recognized component
- Rotor electrolytic galvanizing protection

The product is manufactured in accordance with EN 60335-1, UL1004-1, and RoHS directiv 2015/863/CE
IP class according to EN 60034-5 to be checked with operation and installation

Issued: 2021-08-27 at 13:00 Documentations and pictures are non contractual, all the data of the technical file and the drawing are subject to change.

EN - Page 2 / 4



ADDITIONAL DATA

Documentations

- Operating and recycling manual
<http://www.ecofit.com/anglais/normes>

Measurement setup

- Ring 16087-0 VIROLE V350 RONDE

ERP DATA

Data according to ErP directive

- Designed for standard applications according to the directive EU 2009/125/EC

Tension	230 V
Frequency	50/60 Hz
Power ¹	0.195 kW
Airflow ¹	2361 m3/h
Pressure ¹	105 Pa
Rotation ¹	1704 RPM
Catégorie de mesure	A
Catégorie de rendement	total
Variateur de vitesse	Yes
Rapport spécifique	1.00

	Actual	2015
Rendement global	40.3	29.2
Niveau de rendement	51	40

¹ at optimum energy efficiency point



TECHNICAL DATA

(File of the diagram is not available)

Do not use in pumping zone.

*The product is manufactured in accordance with EN 60335-1, UL1004-1, and RoHS directive 2015/863/CE
IP class according to EN 60034-5 to be checked with operation and installation*

Issued: 2021-08-27 at 13:00 Documentations and pictures are non contractual, all the data of the technical file and the drawing are subject to change.

EN - Page 4 / 4