



VGRuV8 350V

S24-A9-1

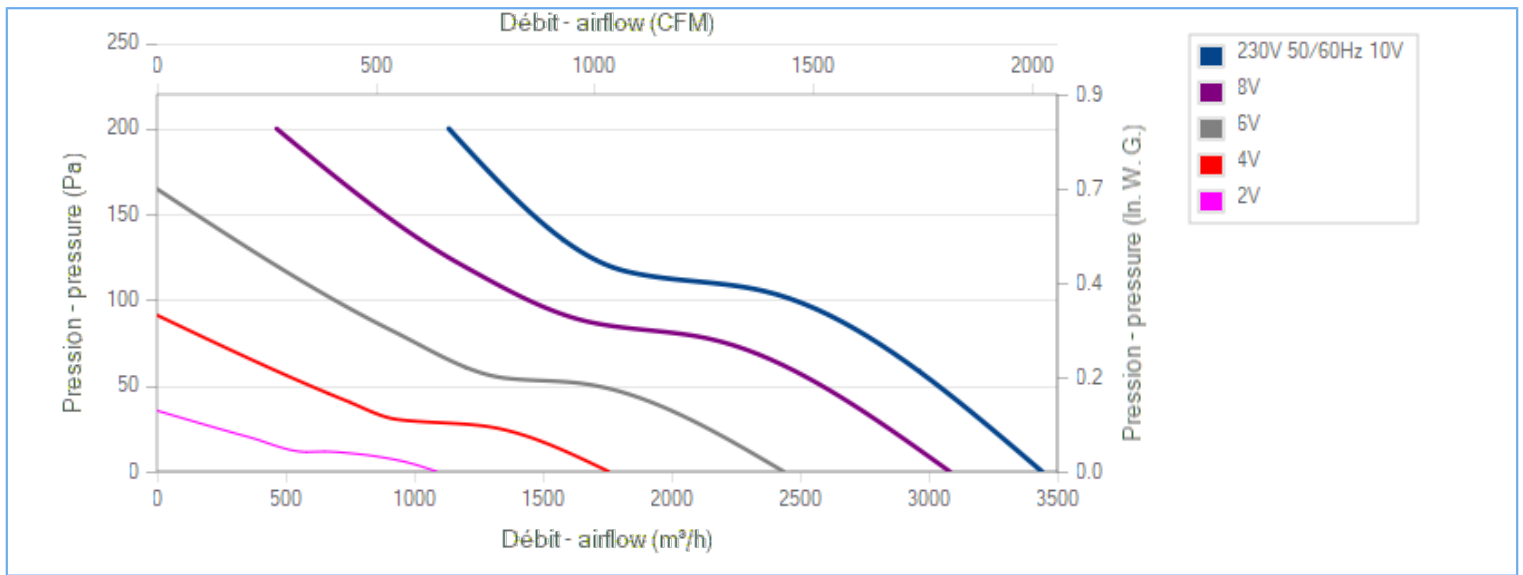
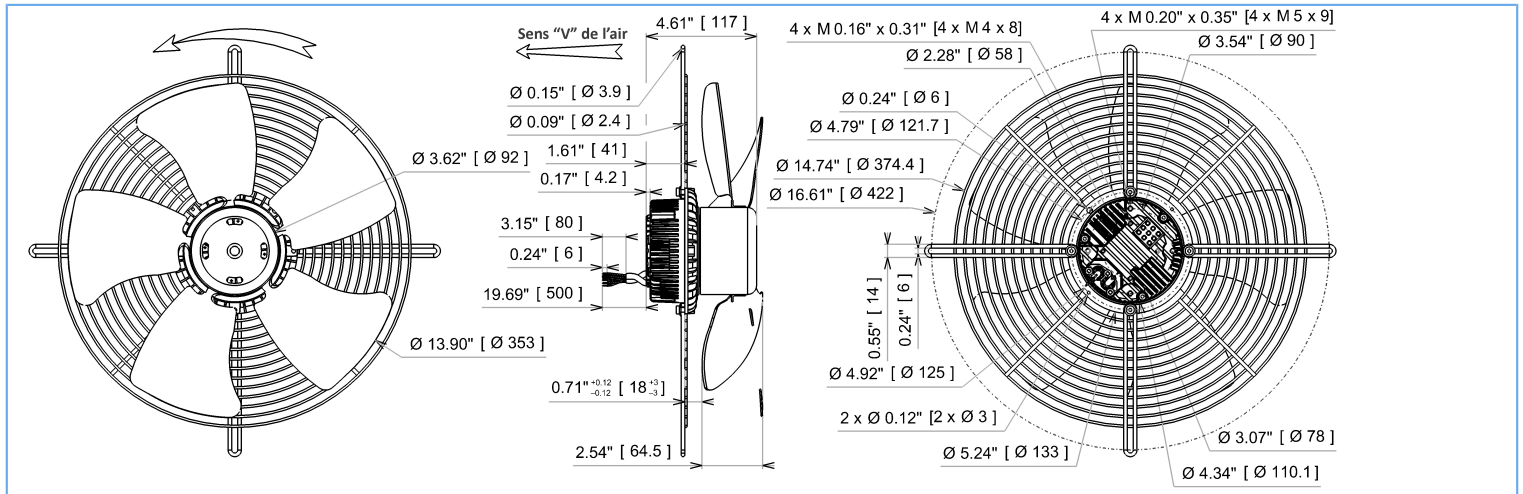
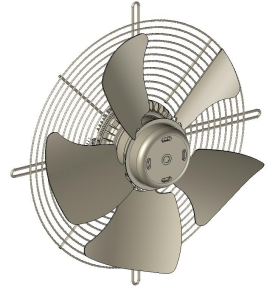


DATA SHEET

release. 0 - Revision 05-2019

Voltage	Frequency	Input Power	Input Current	Airflow	Rotation speed	Direction rotation	Admissible Temperature
V	Hz	W	A	m ³ /h	RPM		Min/Max
230	50/60	151	0,69	3440	1710	L	-25°C / +60°C
230	50/60	2024 CFM					-13°F / 140°F

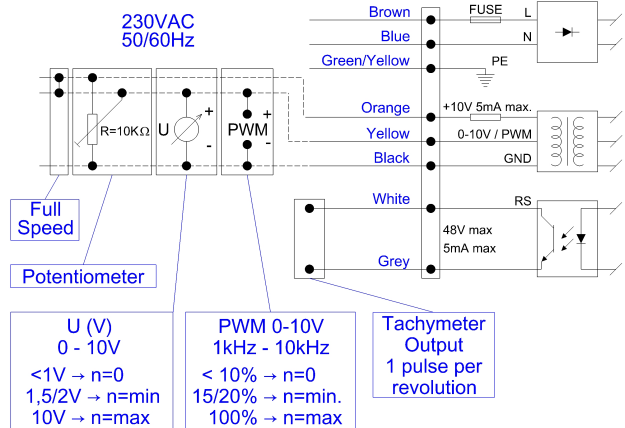
ErP 2013 **OK** ErP 2015 **OK**



Tested with ECOFIT ring

Description

- .Weight : 4,0 Kg
- .Ball bearing
- .Insulation Class F
- .IP54 protection depending on installation and position as per EN60034-5
- .G6.3 balancing
- .Rotor electrolytic galvanizing protection
- .Impeller black painted
- .Finger guard : black paint
- .Motor - UL Recognized component





VGRuV8 350V

S24-A9-1



DATA SHEET

release. 0 - Revision 05-2019

Data in accordance to ErP directive

Voltage	230	V
Frequency	50	Hz
Power	0,194	kW ⁽¹⁾
Airflow	2361	m ³ /h ⁽¹⁾
Pressure	105	Pa ⁽¹⁾
Rotation speed	1704	RPM ⁽¹⁾

(1) at optimal efficiency point

	Actual	Request 2013	Request 2015
Overall efficiency (η)	40,3	25,2	29,2
Efficiency grade	51	36	40
Installation category	A		
Efficiency category	static		
Variable speed drive	Yes		
Specific ratio	1,00		

Designed for regular application according ErP directive EU 2009/125/EC

Accessories

Measurement setup

16087 VIROLE V350 RONDE

Documents

Manuel d'utilisation

www.ecofit.com/site/normes

Operating and recycling manual

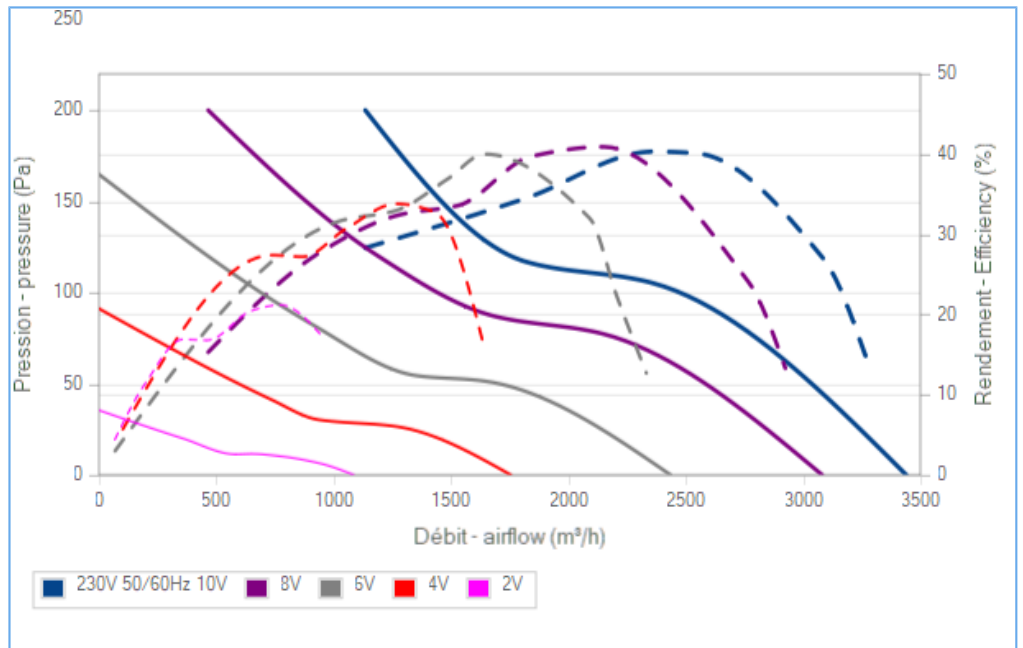
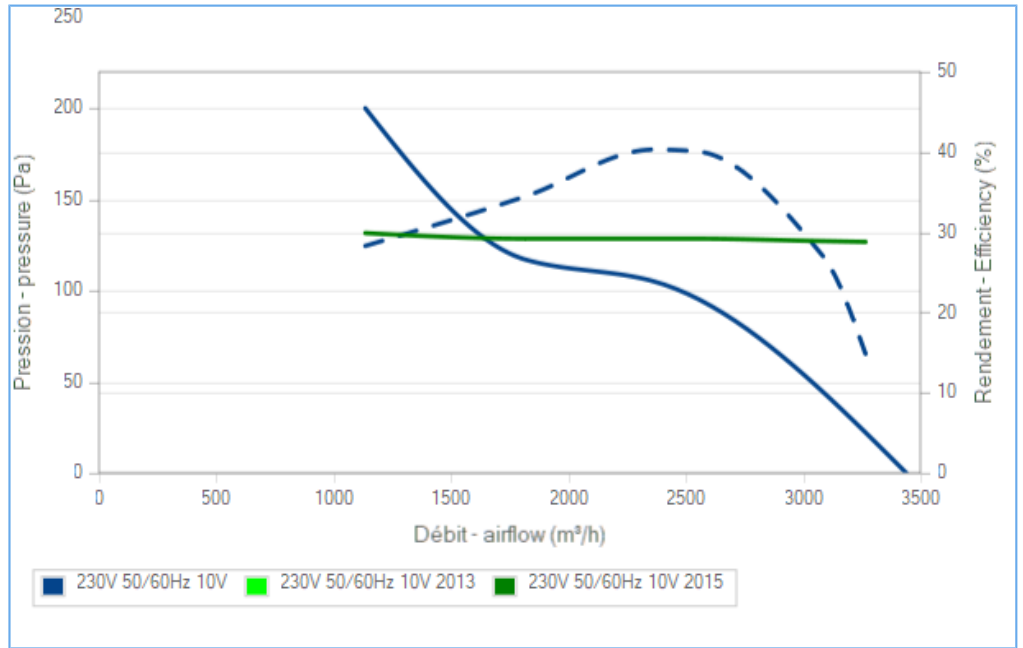
www.ecofit.com/anglais/normes



IEC 60335-2-80:2002 + A1:2004 +
IEC 60335-1:2010
EN 60335-2-80:2003 + A1:2004 + A2:2009 +
EN 60335-1:2012
RT9382CE



UL1004-1, 2nd edition "rotating electrical machine"
UL1004-3, 1st edition "thermally protected motors"
UL1004-7, 2nd edition "electronically protected motors"
C22.2 N°100-04, 6th edition "motors and generator"
C22.2 N°77-95, 7th edition "motors with inherent overheating protection"
UL Motor Model : RT9382
File Number : E326930 XDNW2,8



La courbe de rendement intègre le facteur de compensation de charge partielle du règlement (UE) n°327/2011
The efficiency curve includes part load compensation factor of regulation (EU) n°327/2011

Non contractual document. All specifications are subject to change without prior notice. Picture for information only.