



VGRuG9 250A

M43-B6-1



**DATA SHEET**

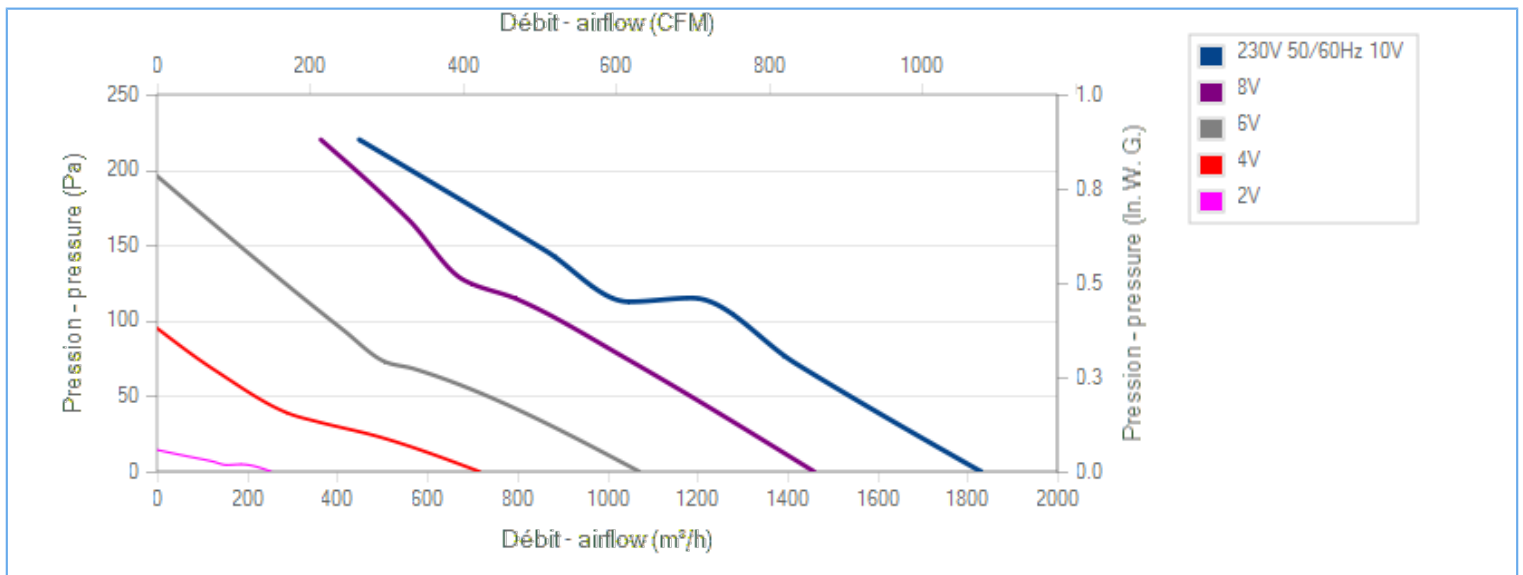
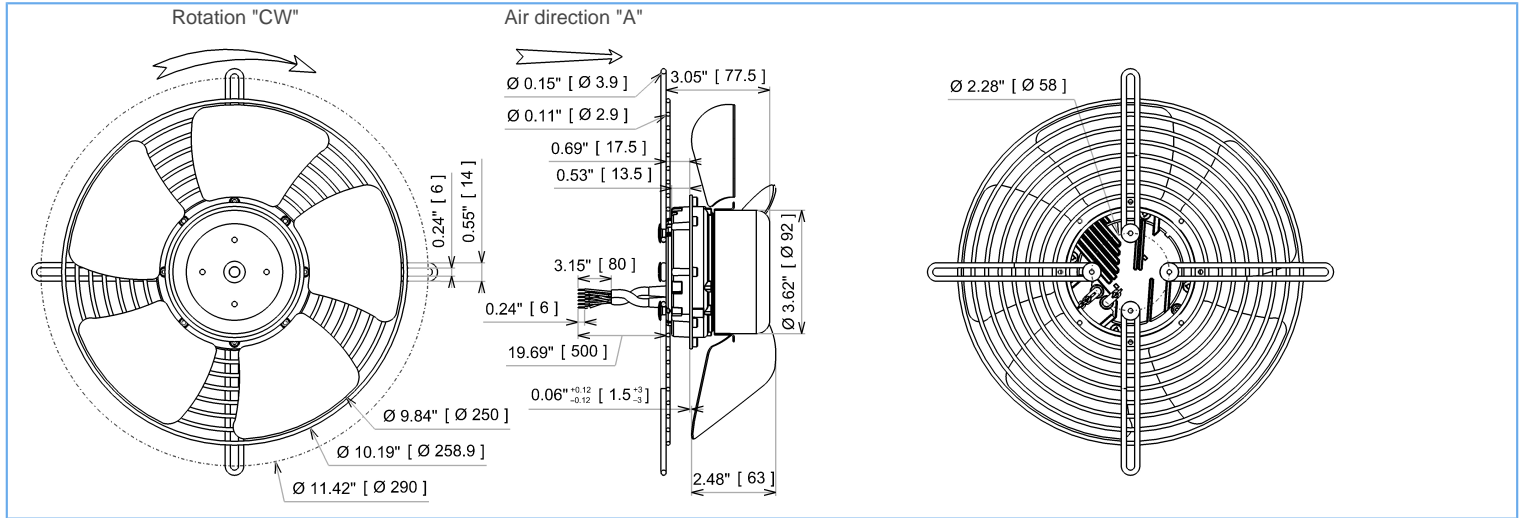
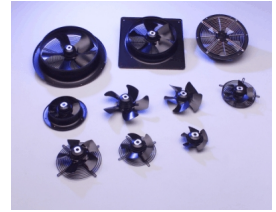
release. b - Revision 04-2016

Voltage	Frequency	Input Power	Input Current	Airflow	Rotation speed	Acoustic level	Direction rotation	Admissible Temperature
V	Hz	W	A	m <sup>3</sup> /h	RPM	dBA		Min/Max
230	50/60	148	1,14	1830	2600	70	R	-20°C / +50°C
230	50/60			1077 CFM				-4°F / 122°F

dBA : free blowing

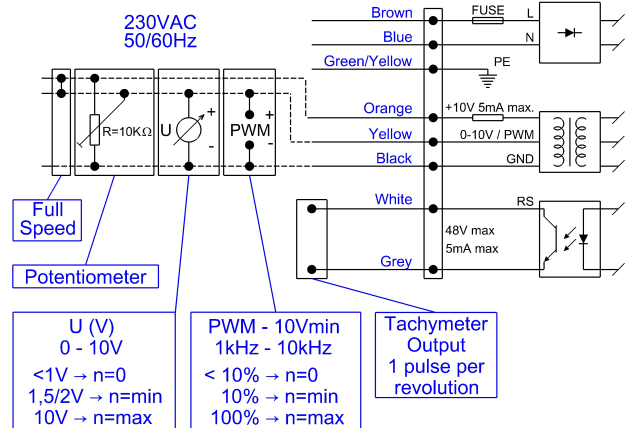
ErP 2013 OK

ErP 2015 OK



**Description**

- .Weight : 1,8 Kg
- .Ball bearing
- .Insulation Class F
- .IP4x may be IP44 according to EN60034-5 after checking the integration into the customer appliance
- .G6.3 balancing
- .Rotor and impeller : black paint
- .Finger guard : black paint
- .Motor - UL Recognized component



Non contractual document. All specifications are subject to change without prior notice. Picture for information only.



VGRuG9 250A

M43-B6-1



# DATA SHEET

release. b - Revision 04-2016

## Data in accordance to ErP directive

Voltage	230	V
Frequency	50	Hz
Power	0,150	kW <sup>(1)</sup>
Airflow	1190	m <sup>3</sup> /h <sup>(1)</sup>
Pressure	115	Pa <sup>(1)</sup>
Rotation speed	2441	RPM <sup>(1)</sup>

(1) at optimal efficiency point

	Actual	Request 2013	Request 2015
Overall efficiency ( $\eta$ )	29	24,5	28,5
Efficiency grade	40	36	40
Installation category	A		
Efficiency category	static		
Variable speed drive	Yes		
Specific ratio	1,00		

Designed for regular application according ErP directive EU 2009/125/EC

## Accessories

## Measurement setup

16085 VIROLE V250 RONDE

## Documents

Manuel d'utilisation

[www.ecofit.com/site/normes](http://www.ecofit.com/site/normes)

Operating and recycling manual

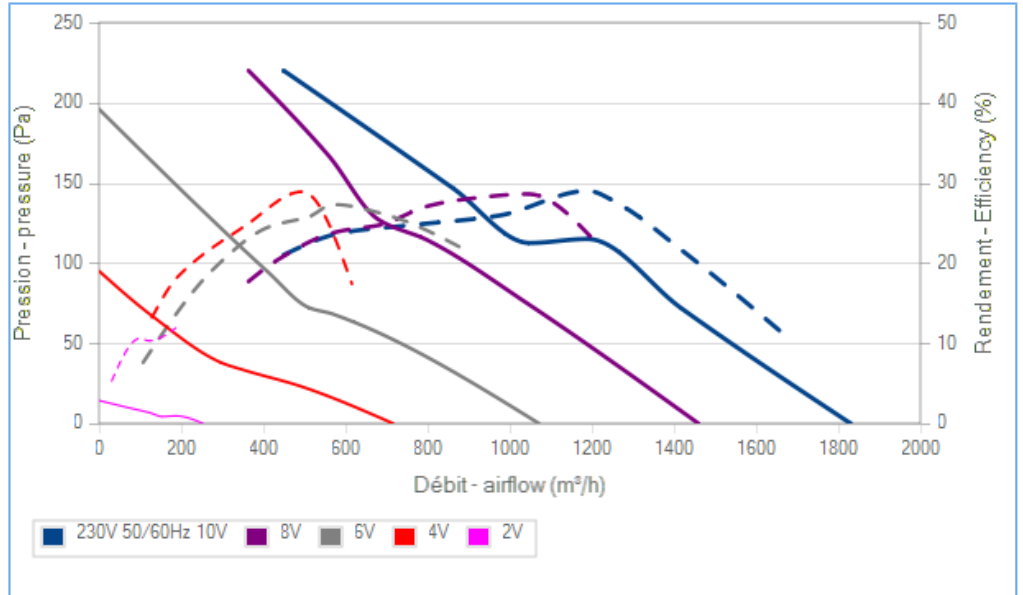
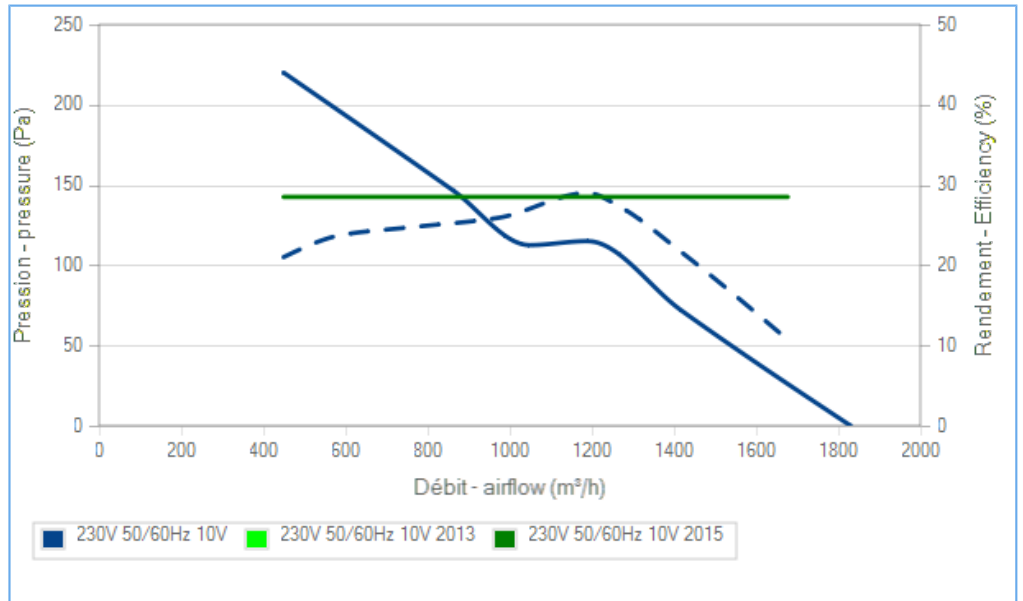
[www.ecofit.com/anglais/normes](http://www.ecofit.com/anglais/normes)



IEC 60335-2-80:2002 + A1:2004 +  
IEC 60335-1:2010  
EN 60335-2-80:2003 + A1:2004 + A2:2009 +  
EN 60335-1:2012  
RT9192CE



UL1004-1, 2nd edition "rotating electrical machine"  
UL1004-3, 1st edition "thermally protected motors"  
UL1004-7, 2nd edition "electronically protected motors"  
C22.2 N°100-04, 6th edition "motors and generator"  
C22.2 N°77-95, 7th edition "motors with inherent overheating protection"  
UL Motor Model : RT9192  
File Number : E326930 XDNW2,8



La courbe de rendement intègre le facteur de compensation de charge partielle du règlement (UE) n°327/2011  
The efficiency curve includes part load compensation factor of regulation (EU) n°327/2011

Non contractual document. All specifications are subject to change without prior notice. Picture for information only.