



VGCuG9 300A (120V)

M43-D0-1



DATA SHEET

release. 0 - Revision 05-2019

Voltage	Frequency	Input Power	Input Current	Airflow	Rotation speed	Direction rotation	Admissible Temperature
V	Hz	W	A	m ³ /h	RPM		Min/Max
120	50/60	91	1,24	2185	1650	R	-25°C / +60°C
120	50/60			1286 CFM			-13°F / 140°F

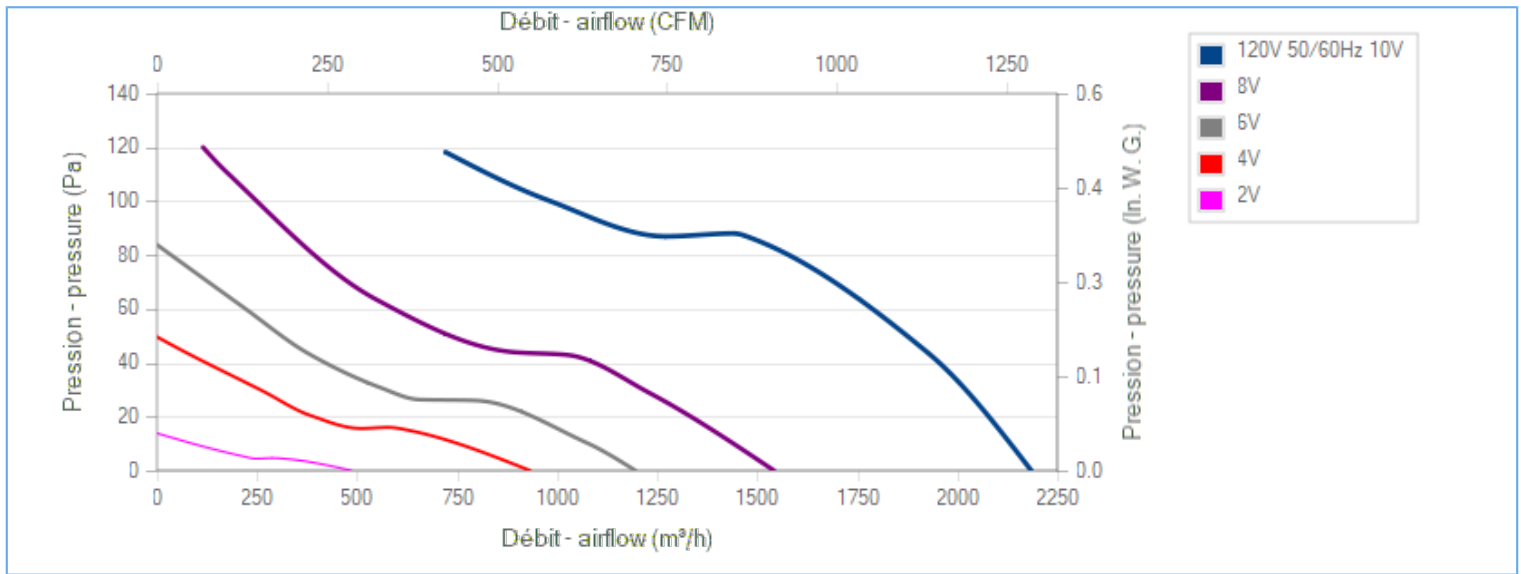
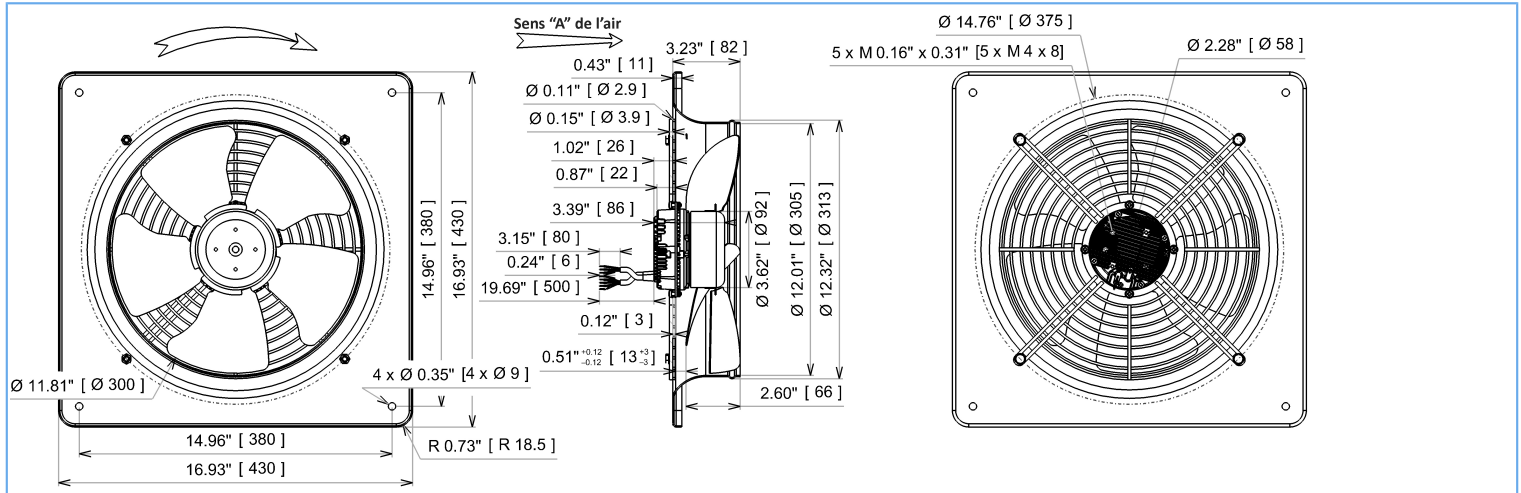
NA : not applicable

ErP 2013

NA

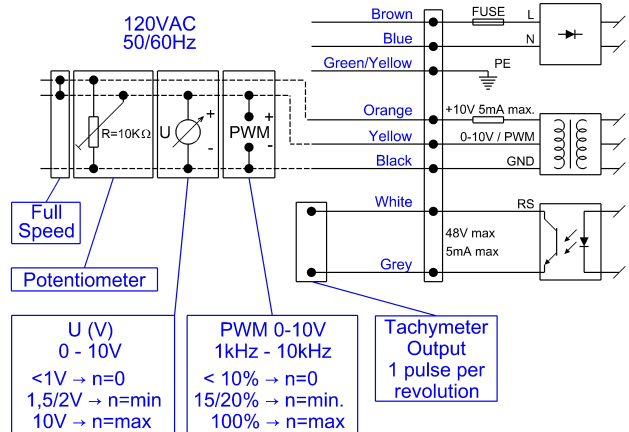
ErP 2015

NA



Description

- .Weight : 2,6 Kg
- .Ball bearing
- .Insulation Class F
- .IP4x may be IP44 according to EN60034-5 after checking the integration into the customer appliance
- .G6.3 balancing
- .Rotor and impeller : black paint
- .Finger guard and ring : black paint





VGCuG9 300A (120V)

M43-D0-1



DATA SHEET

release. 0 - Revision 05-2019

Data in accordance to ErP directive

Voltage	120	V
Frequency	50	Hz
Power	0,115	kW ⁽¹⁾
Airflow	1481	m ³ /h ⁽¹⁾
Pressure	87	Pa ⁽¹⁾
Rotation speed	1651	RPM ⁽¹⁾
(1) at optimal efficiency point		

ErP directive (EU 2009/125/EC) not applicable :
Power at optimum energy efficiency point

Accessories

Measurement setup

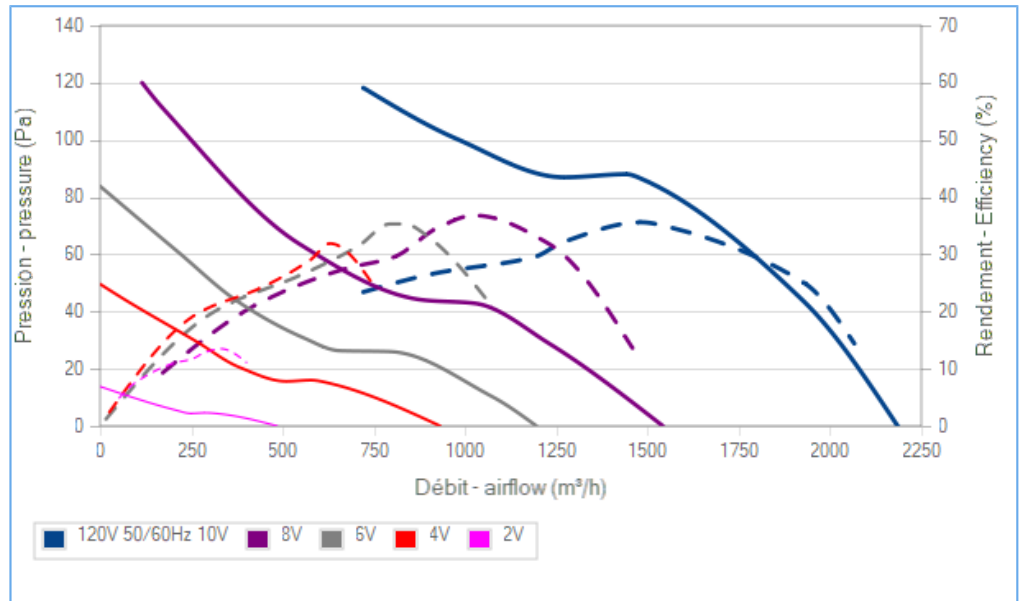
16086 VIROLE V300 RONDE

Documents

Manuel d'utilisation

www.ecofit.com/site/normes

Operating and recycling manual

www.ecofit.com/anglais/normes


La courbe de rendement intègre le facteur de compensation de charge partielle du règlement (UE) n°327/2011
The efficiency curve includes part load compensation factor of regulation (EU) n°327/2011

UL1004-1, 2nd edition "rotating electrical machine"
UL1004-3, 1st edition "thermally protected motors"
UL1004-7, 2nd edition "electronically protected motors"
C22.2 N°100-04, 6th edition "motors and generator"
C22.2 N°77-95, 7th edition "motors with inherent overheating protection"
UL Motor Model : RT9191
File Number : E326930 XDNW2,8

