

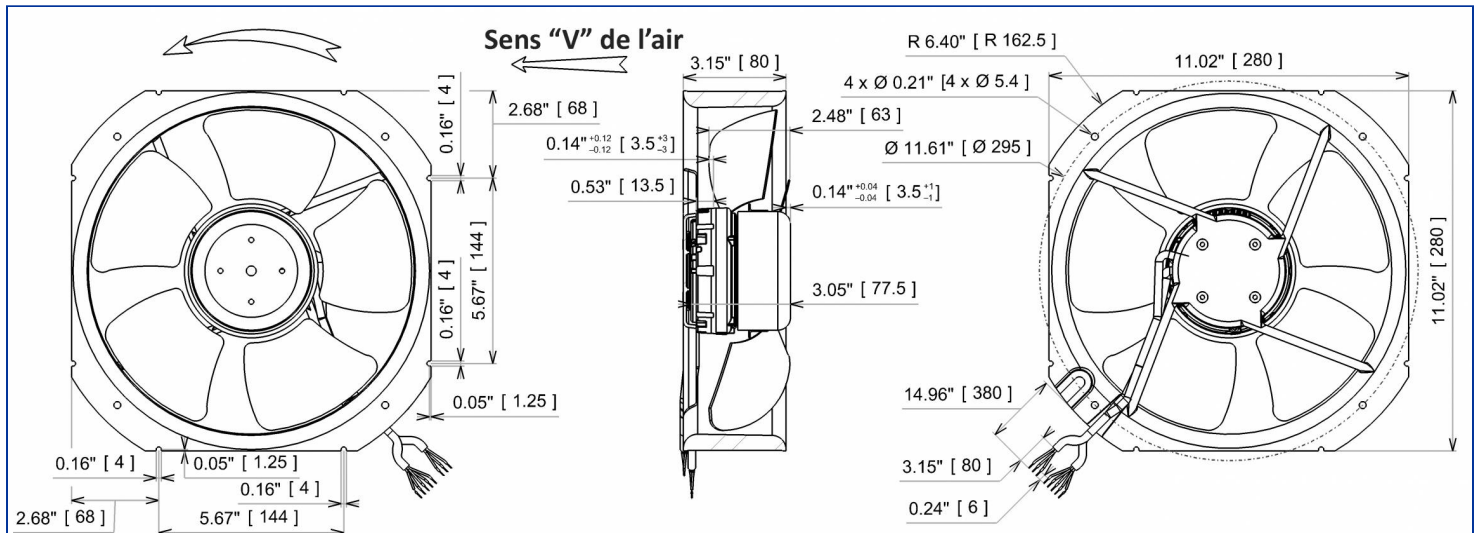


Designation **VGCuG9 250V**

Range Axial fans with electronic commutation motor

ELECTRICAL DATA

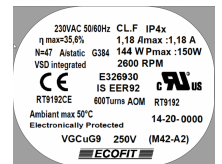
Tension (V)	230
Frequency (Hz)	50/60
Current (A)	1.18
Maximum current (A)	1.18
Power (W)	144
Maximum power (W)	150
Rotation (RPM)	2600
Cos Φ	0.531
Temperature min/max (°C)	-20/+50



MARKING & STANDARDS

Conformity

- **CE** RT9192CE IEC 60335-2-80:2002 + A1:2004 +
- **UL** RT9192 UL1004-1, 2nd edition rotating electrical machine File number E326930



The product is manufactured in accordance with EN 60335-1, UL1004-1, and RoHS directive 2015/863/CE
IP class according to EN 60034-5 to be checked with operation and installation

Issued: 31/03/2020 at 14:54 Documentations and pictures are non contractual, all the data of the technical file and the drawing are subject to change.

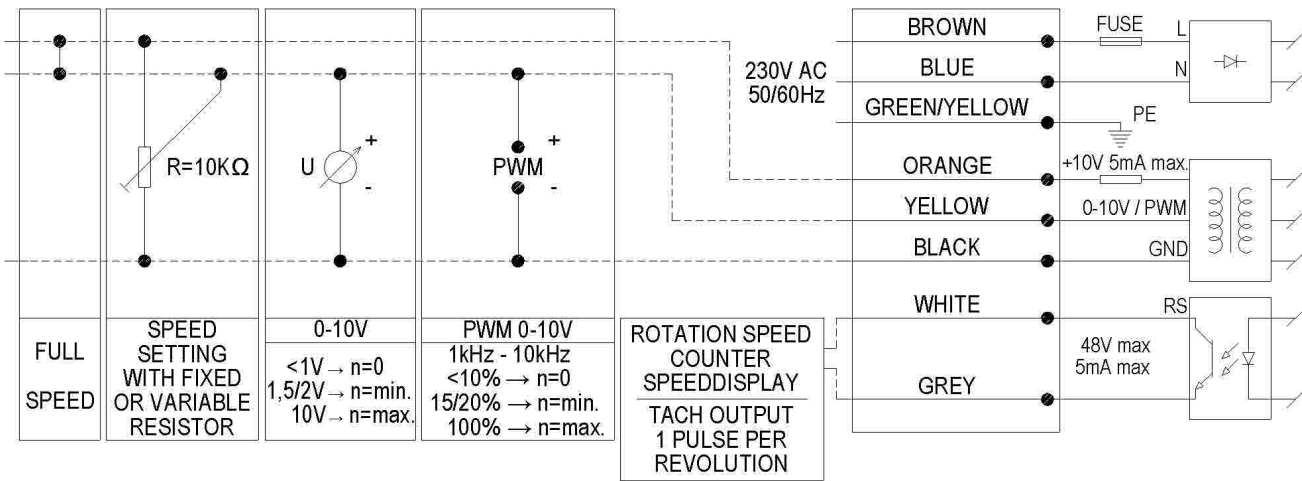
EN - Page 1 / 4

TECHNICAL DATA

Description

- Weight: 2.60 kg
- With Condensat Drain Holes
- Class F
- Protection level: 4x | Protection against ingress of solid with diameter ≥ 1 mm / No information
- Motor's protection Electronically protected
- Bearing type: 2 ball bearings 608ZZ
- Balance level: G6.3

Wiring diagram



Finishes

- Rotor and impeller : black paint
- Aluminium ring

ADDITIONAL DATA

Accessories

- 16234 | Inlet cone
- 21360 | Finger guard

Documentations

- Operating and recycling manual
<http://www.ecofit.com/anglais/normes>

Measurement setup

- Ring 16194-c Virole carrée 250V alu moulée

ERP DATA

Data according to ErP directive

Tension	230 V
Frequency	50/60 Hz
Power ¹	0.15 kW
Airflow ¹	1439 m3/h
Pressure ¹	117 Pa
Rotation ¹	2469 RPM
Catégorie de mesure	A
Catégorie de rendement	total
Variateur de vitesse	Yes
Rapport spécifique	1.00

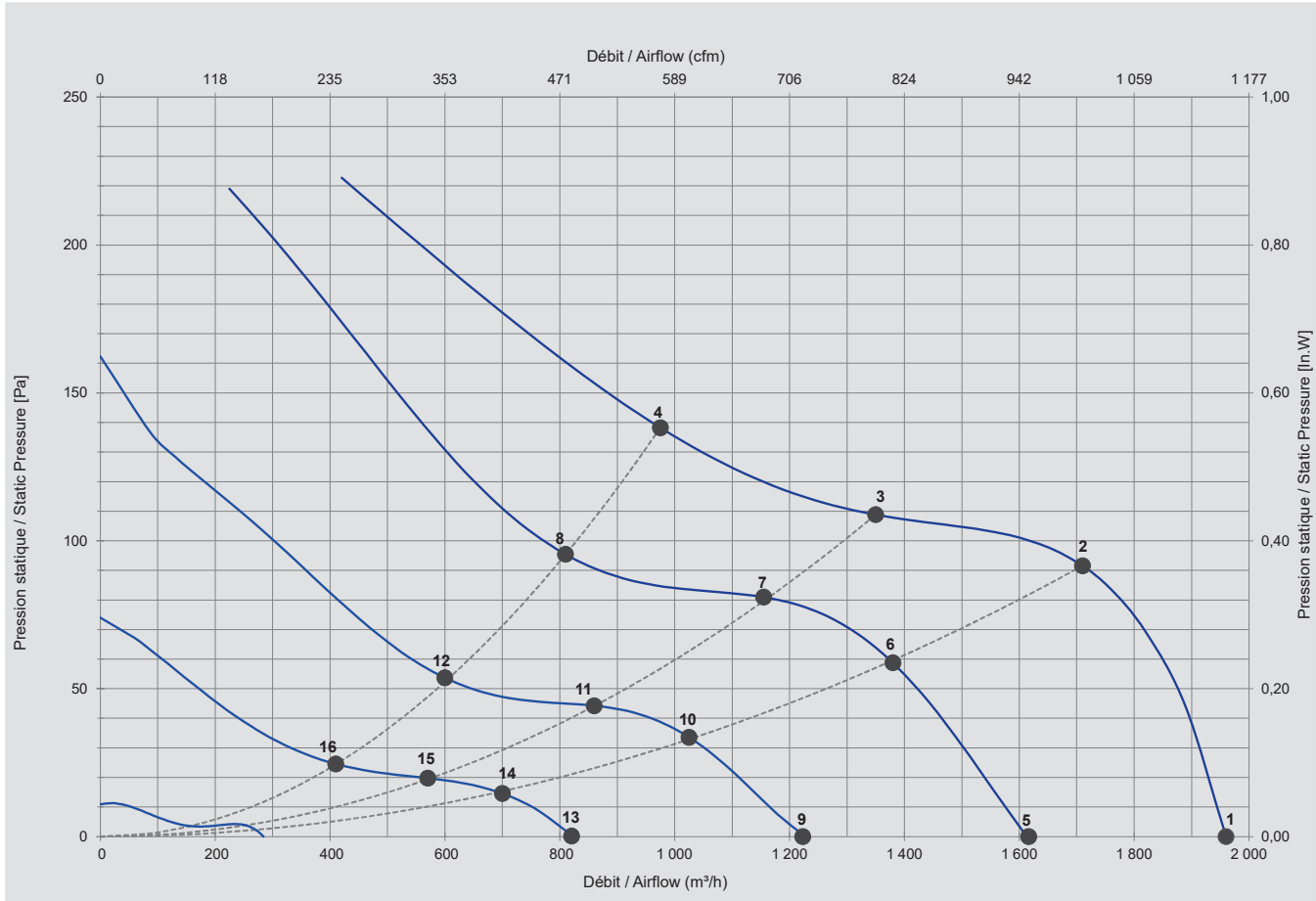
- Designed for standard applications according to the directive EU 2009/125/EC

	Actual	2015
Rendement global	35.6	28.5
Niveau de rendement	47	40

¹ at optimum energy efficiency point

TECHNICAL DATA

Do not use in pumping zone.



Mesures / Measured Values*

	Un (V)	Vctl (Vdc)	F (Hz)	P (W)	n (RPM)	Q (m³/h)	P (Pa)	Q (cfm)	P (In.W)	Lp _{in} (dBA)
1	230	10	50/60	144	2600	1 960	0	1 154	0,000	
2	230	10	50/60	151	2513	1 710	92	1 007	0,367	
3	230	10	50/60	150	2478	1 350	109	795	0,436	
4	230	10	50/60	149	2488	975	138	574	0,554	
5	230	8	50/60	65	2058	1 616	0	951	0,000	
6	230	8	50/60	82	2051	1 380	59	812	0,235	
7	230	8	50/60	86	2047	1 155	81	680	0,324	
8	230	8	50/60	87	2046	810	95	477	0,382	
9	230	6	50/60	29	1534	1 223	0	720	0,000	
10	230	6	50/60	36	1531	1 025	34	603	0,134	
11	230	6	50/60	37	1524	860	44	506	0,177	
12	230	6	50/60	37	1529	600	54	353	0,215	
13	230	4	50/60	11	1046	821	0	483	0,001	
14	230	4	50/60	13	1034	700	15	412	0,058	
15	230	4	50/60	14	1025	570	20	336	0,079	
16	230	4	50/60	13	1037	410	25	241	0,098	

* Air performance measured according to: ISO 5801, installation category C.
Intake-side sound level: according to ISO 3744, LpA measured at 1 m distance from fan axis. The values given are only applicable under the specified measuring conditions and may differ depending on the installation conditions. In the event of deviation

The product is manufactured in accordance with EN 60335-1, UL1004-1, and RoHS directive 2015/863/CE
IP class according to EN 60034-5 to be checked with operation and installation