

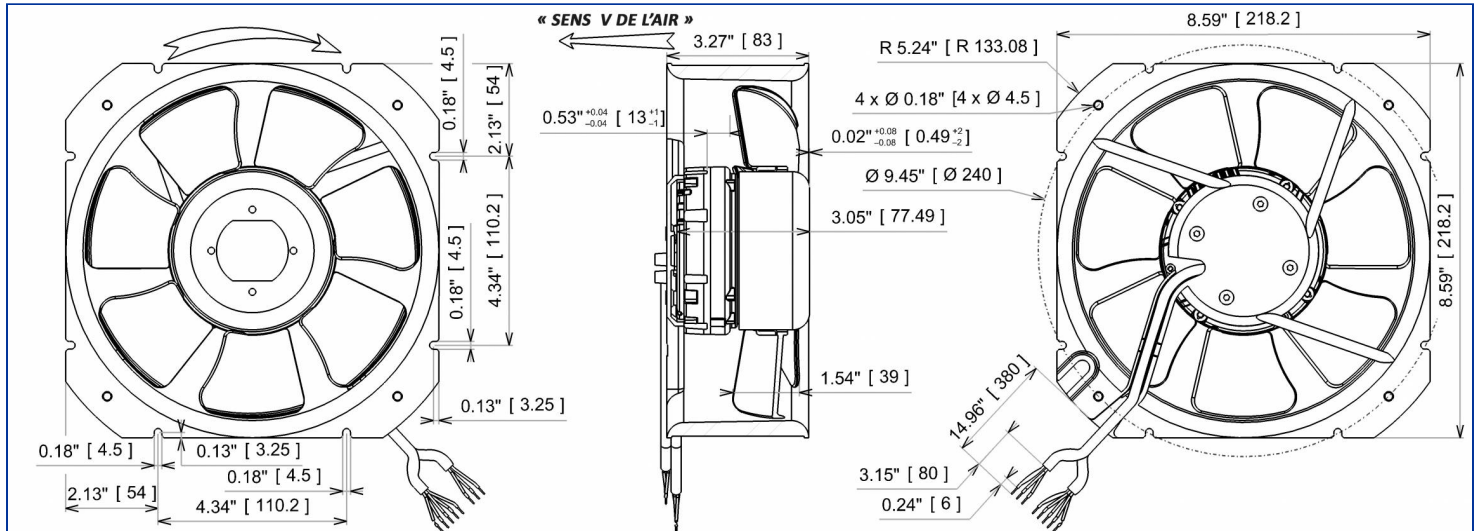


Designation **VGCuG9 200V**

Range Axial fans with electronic commutation motor

ELECTRICAL DATA

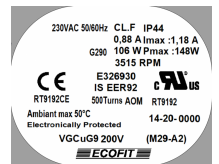
Tension (V)	230
Frequency (Hz)	50/60
Current (A)	0.88
Maximum current (A)	1.18
Power (W)	106
Maximum power (W)	148
Rotation (RPM)	3515
Cos Φ	0.524
Temperature min/max (°C)	-20/+50



MARKING & STANDARDS

Conformity

- **CE** RT9192CE IEC 60335-2-80:2002 + A1:2004 +
- **UL** RT9192 Standard for Electronically Protected Motors
File number E326930



The product is manufactured in accordance with EN 60335-1, UL1004-7, and RoHS directiv 2015/863/CE
IP class according to EN 60034-5 to be checked with operation and installation

Issued: 07/04/2020 at 15:10 Documentations and pictures are non contractual, all the data of the technical file and the drawing are subject to change.

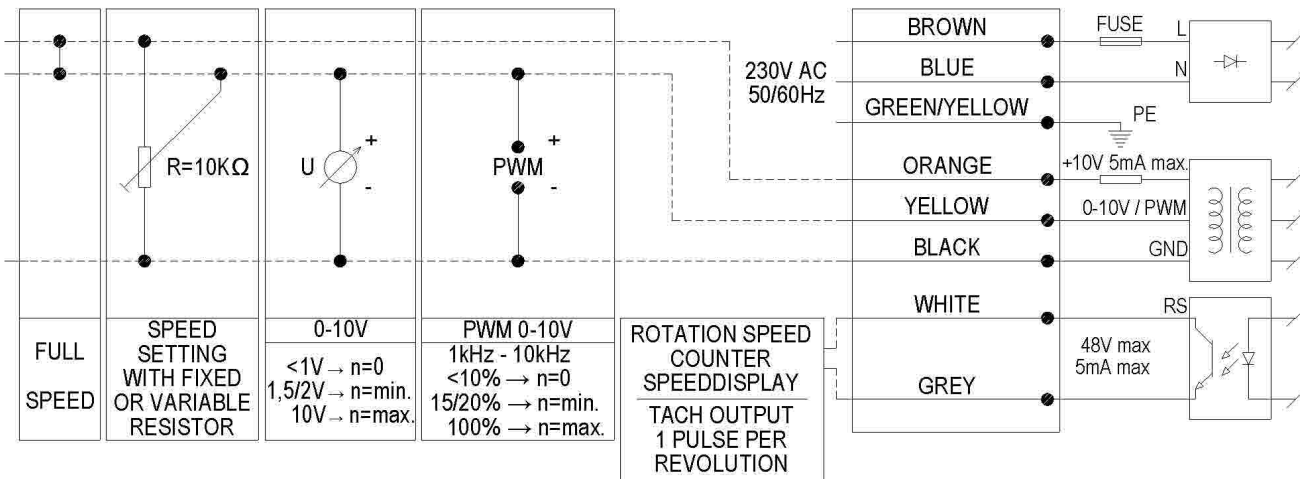
EN - Page 1 / 4

TECHNICAL DATA

Description

- Weight: 1.84 kg
- With Condensat Drain Holes
- Class F
- Protection level: 4x | Protection against ingress of solid with diameter ≥ 1 mm / No information
- Motor's protection Electronically protected
- Bearing type: 2 ball bearings 608ZZ
- Balance level: G6.3

Wiring diagram



Finishes

- Plastic impeller PA 6/6 UL94 V0
- Rotor : black paint
- Aluminium ring



ADDITIONAL DATA

Accessories

- 21427 | Finger guard

Documentations

- Operating and recycling manual
<http://www.ecofit.com/anglais/normes>

Measurement setup

- Ring 16189-a Virole Carrée 200 ALU

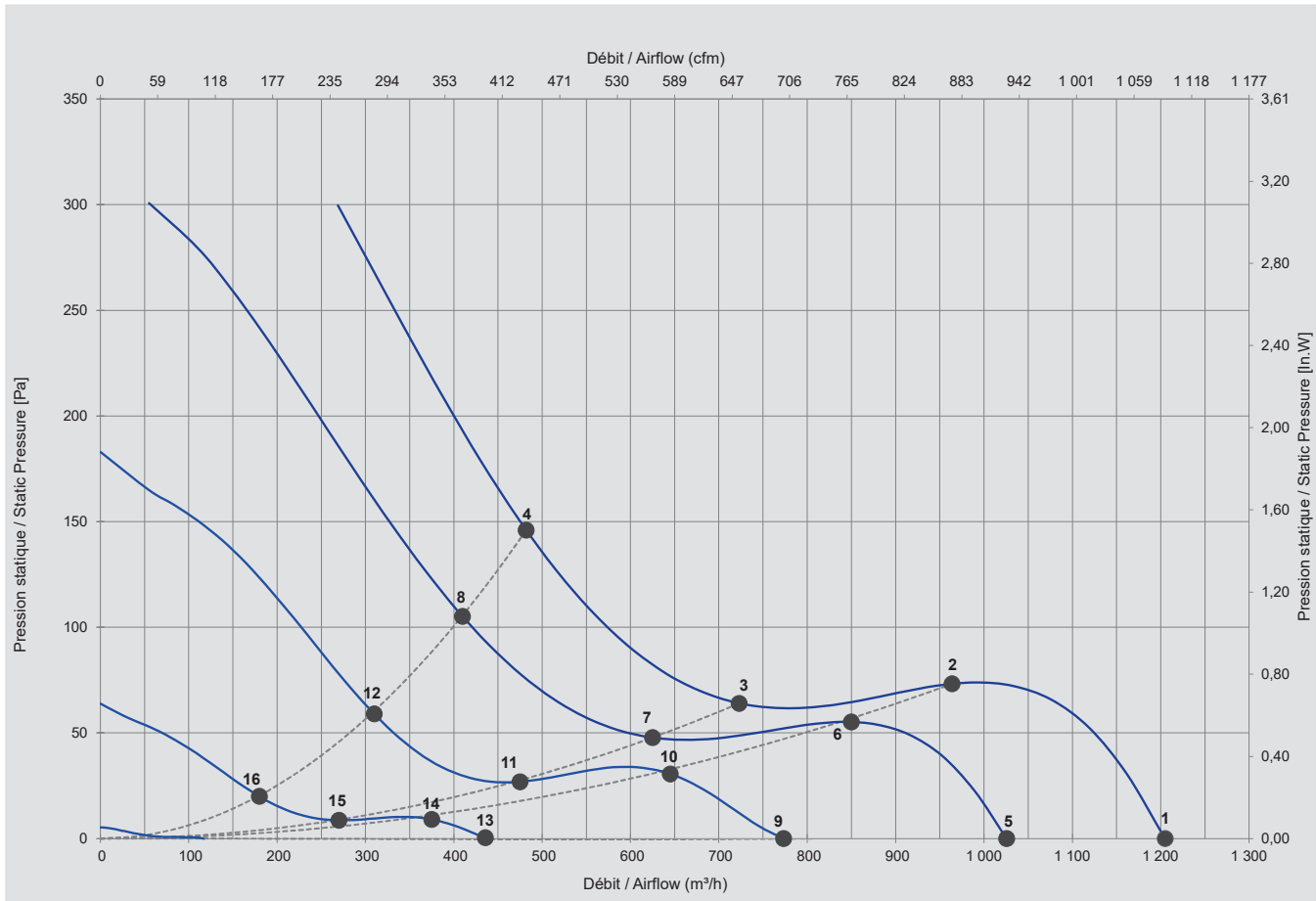
ERP DATA

ErP Directive ErP (EU 2009/125/EC) not applicable:

- Power at optimum energy efficiency point <125W

TECHNICAL DATA

Do not use in pumping zone.



Mesures / Measured Values*

	Un (V)	Vctl (Vdc)	F (Hz)	P (W)	n (RPM)	Q (m³/h)	P (Pa)	Q (cfm)	P (In.W)	Lp _{in} (dBA)
1	230	10	50/60	106	3515	1 205	0	709	0,000	
2	230	10	50/60	99	3403	964	73	567	0,293	
3	230	10	50/60	80	3419	723	64	426	0,256	
4	230	10	50/60	97	3412	482	146	284	0,585	
5	230	8	50/60	60	2891	1 026	0	604	0,000	
6	230	8	50/60	66	2884	850	55	500	0,221	
7	230	8	50/60	51	2885	625	48	368	0,191	
8	230	8	50/60	61	2886	410	105	241	0,421	
9	230	6	50/60	30	2188	773	0	455	0,000	
10	230	6	50/60	31	2190	645	31	380	0,122	
11	230	6	50/60	26	2189	475	27	280	0,108	
12	230	6	50/60	29	2191	310	59	182	0,236	
13	230	4	50/60	9	1283	436	0	257	0,002	
14	230	4	50/60	9	1285	375	9	221	0,036	
15	230	4	50/60	8	1284	270	9	159	0,035	
16	230	4	50/60	9	1286	180	20	106	0,080	

* Air performance measured according to: ISO 5801, installation category C.
Intake-side sound level: according to ISO 3744, LpA measured at 1 m distance from fan axis. The values given are only applicable under the specified measuring conditions and may differ depending on the installation conditions. In the event of deviation

The product is manufactured in accordance with EN 60335-1, UL1004-7, and RoHS directive 2015/863/CE
IP class according to EN 60034-5 to be checked with operation and installation