

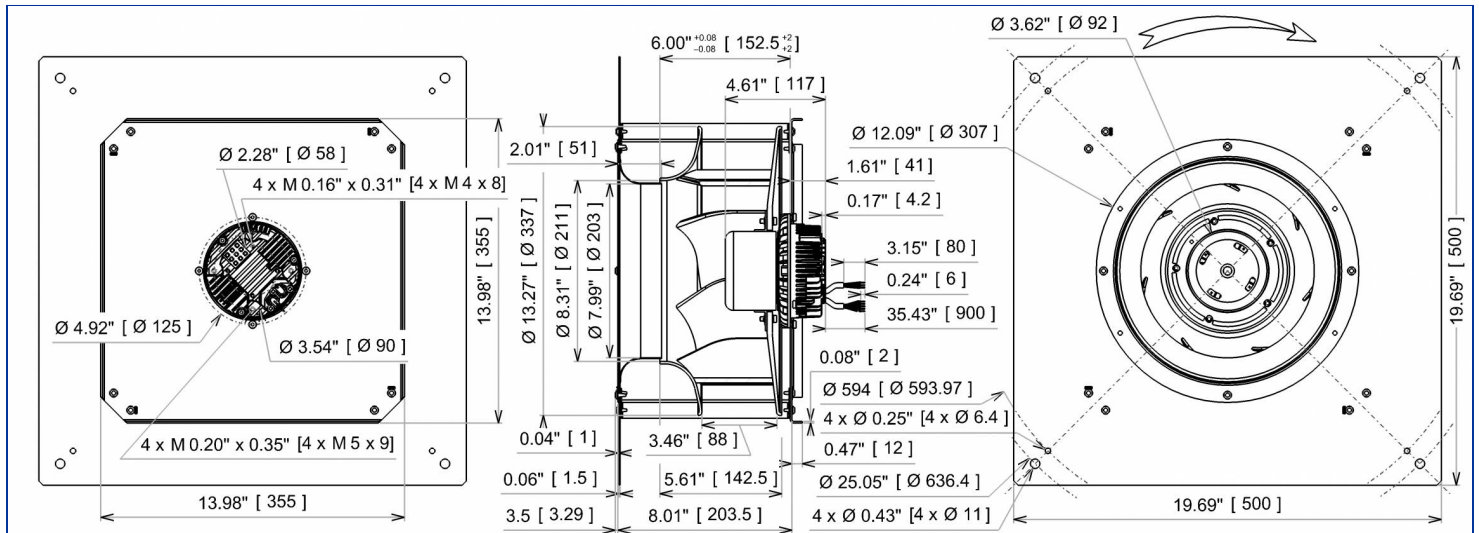


Designation **RRMuV8 315x88R**

Range **Backward curved centrifugal fans with electronic commutation motor**

ELECTRICAL DATA

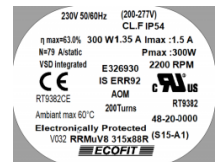
Tension (V)	230
Frequency (Hz)	50/60
Current (A)	1.35
Maximum current (A)	1.50
Power (W)	300
Maximum power (W)	300
Rotation (RPM)	2200
Cos Φ	0.966
Temperature min/max (°C)	-25/+60



MARKING & STANDARDS

Conformity

- **CE** RT9382CE IEC 60335-2-80:2002 + A1:2004
- **UL** RT9382 UL1004-1, 2nd edition rotating electrical machine File number E326930



The product is manufactured in accordance with EN 60335-1, UL1004-1, and RoHS directive 2015/863/CE  
IP class according to EN 60034-5 to be checked with operation and installation

Issued: 2021-05-21 at 07:29 Documentations and pictures are non contractual, all the data of the technical file and the drawing are subject to change.

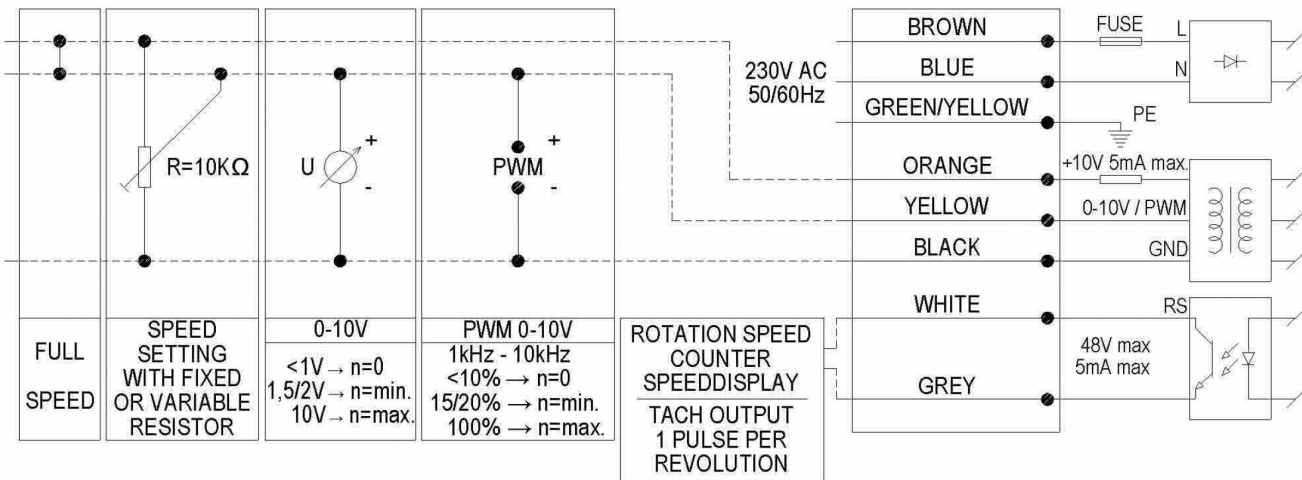
EN - Page 1 / 4

TECHNICAL DATA

Description

- Weight: 7.30 kg
- Class F
- Protection level: 54 | Protection against ingress of dust / Protection against ingress of water : splashing
- Motor's protection Electronically protected
- Bearing type: 2 ball bearings 6000ZZ
- Balance level: G2.5

Wiring diagram



Finishes

- Rotor electrolytic galvanizing protection
- PP UL 94 HB plastic impeller

ADDITIONAL DATA

Accessories

- 21369 | Finger guard

Documentations

- Operating and recycling manual  
<http://www.ecofit.com/anglais/normes>

Measurement setup

- Ouie 16265-0 OUIE Ø307ext.Ø203 int.H=50\*

ERP DATA

Data according to ErP directive

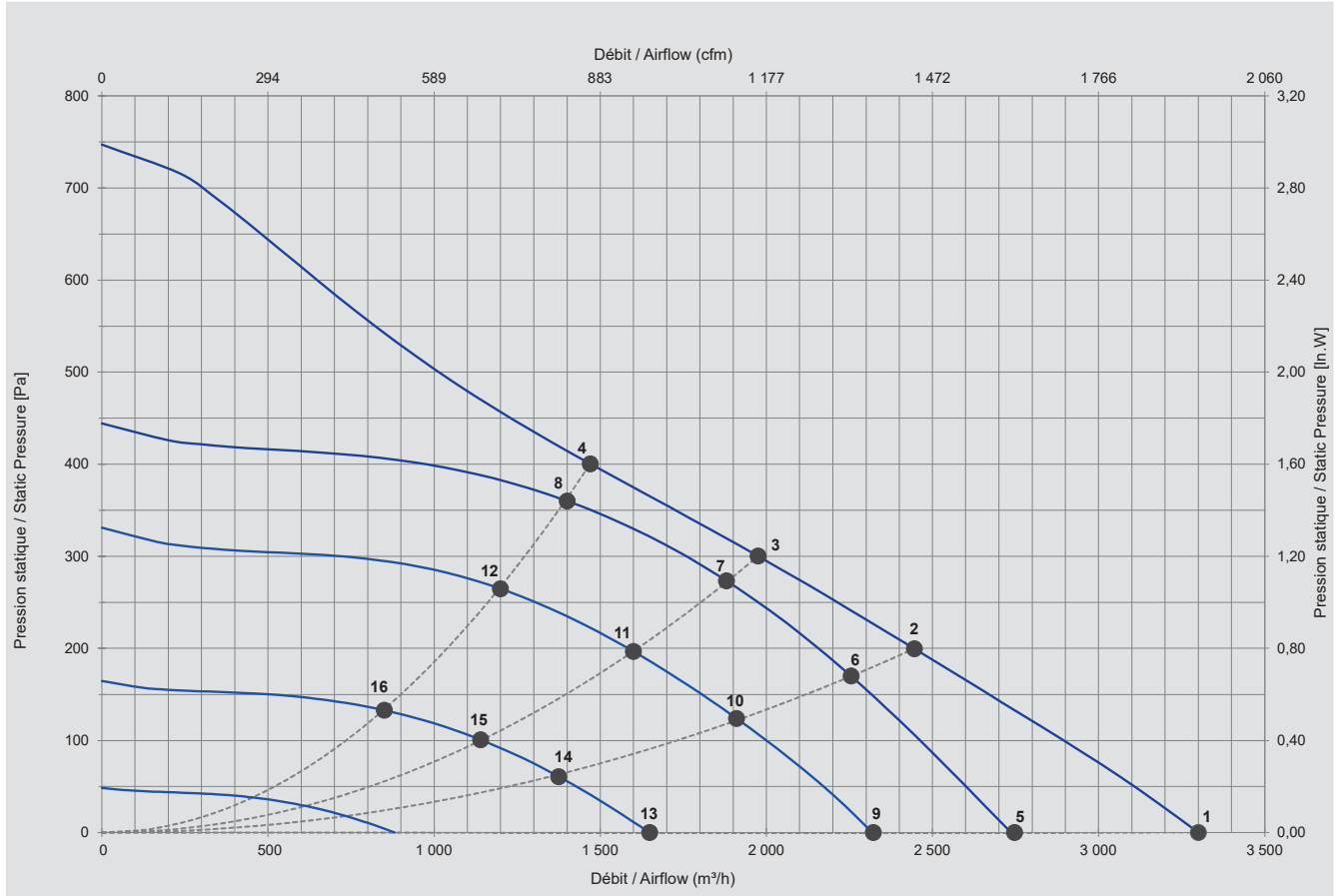
Tension	230 V
Frequency	50/60 Hz
Power <sup>1</sup>	0.3 kW
Airflow <sup>1</sup>	1682 m3/h
Pressure <sup>1</sup>	360 Pa
Rotation <sup>1</sup>	1888 RPM
Catégorie de mesure	A
Catégorie de rendement	total
Variateur de vitesse	Yes
Rapport spécifique	1.00

- Designed for standard applications according to the directive EU 2009/125/EC

	Actual	2015
Rendement global	63.0	46.0
Niveau de rendement	79	62

<sup>1</sup> at optimum energy efficiency point

TECHNICAL DATA



Mesures / Measured Values\*

	Un (V)	Vctl (Vdc)	F (Hz)	P (W)	n (RPM)	Q (m³/h)	P (Pa)	Q (cfm)	P (In.W)	Lp <sub>in</sub> (dBA)
1	230	10	50/60	300	2200	3 300	0	1 942	0,000	72,0
2	230	10	50/60	302	1968	2 445	200	1 439	0,800	68,0
3	230	10	50/60	300	1898	1 975	300	1 163	1,203	66,0
4	230	10	50/60	297	1891	1 470	400	865	1,604	66,0
5	230	8	50/60	168	1818	2 747	0	1 617	0,000	67,0
6	230	8	50/60	239	1811	2 255	170	1 327	0,681	65,0
7	230	8	50/60	266	1807	1 880	273	1 107	1,095	65,0
8	230	8	50/60	260	1802	1 400	360	824	1,443	65,0
9	230	6	50/60	109	1570	2 322	0	1 367	0,000	63,0
10	230	6	50/60	152	1563	1 910	124	1 124	0,497	62,0
11	230	6	50/60	168	1558	1 600	197	942	0,788	61,0
12	230	6	50/60	166	1555	1 200	265	706	1,061	61,0
13	230	4	50/60	49	1110	1 649	0	971	0,000	
14	230	4	50/60	60	1110	1 375	61	809	0,243	
15	230	4	50/60	65	1096	1 140	101	671	0,404	
16	230	4	50/60	63	1097	850	133	500	0,532	

\* Air performance measured according to: ISO 5801, installation category C.  
Intake-side sound level: according to ISO 3744, LpA measured at 1 m distance from fan axis. The values given are only applicable under the specified measuring conditions and may differ depending on the installation conditions. In the event of deviation

The product is manufactured in accordance with EN 60335-1, UL1004-1, and RoHS directive 2015/863/CE  
IP class according to EN 60034-5 to be checked with operation and installation