

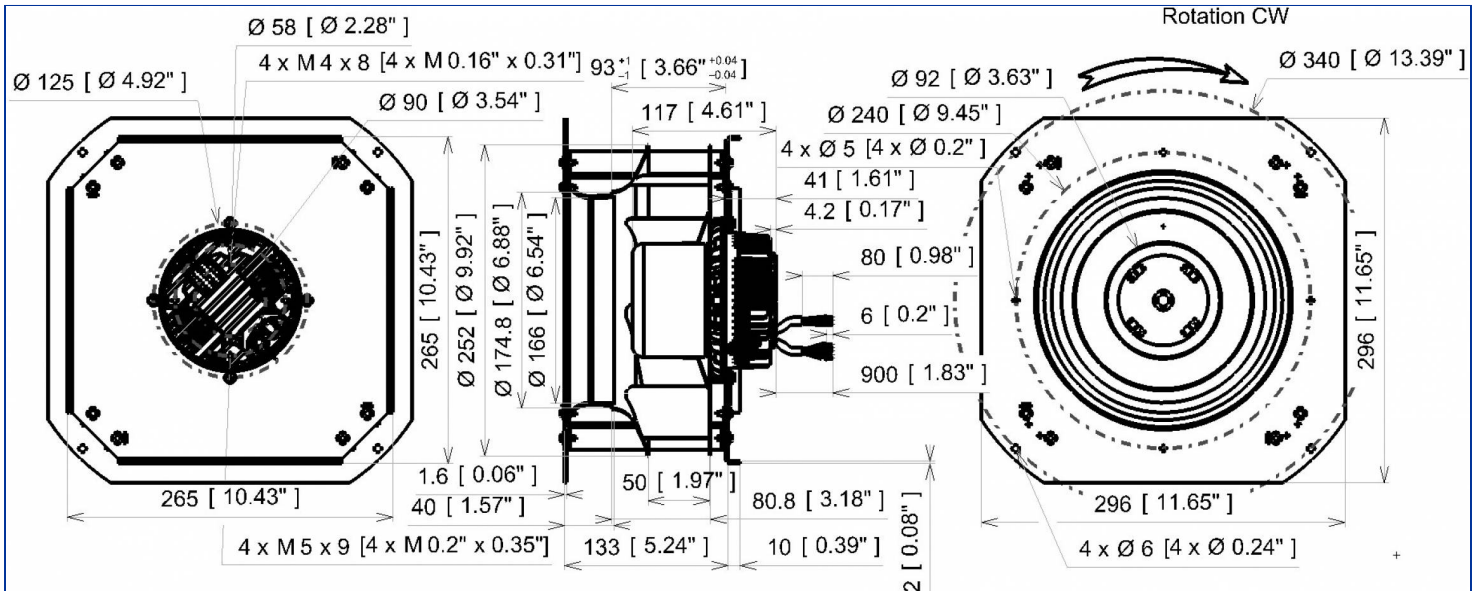


Designation **RRMuV8 250x50R**

Range Backward curved centrifugal fans with electronic commutation motor

ELECTRICAL DATA

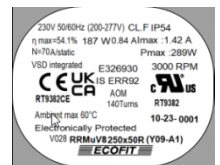
Tension (V)	230
Frequency (Hz)	50/60
Current (A)	0.84
Maximum current (A)	1.42
Power (W)	187
Maximum power (W)	289
Rotation (RPM)	3000
Cos Φ	0.968
Temperature min/max (°C)	-25/+60



MARKING & STANDARDS

Conformity

- **CE** RT9382CE EN 60335-1, IEC 60335-1, EN 60331-2-80, IEC 60335-2-80
- **UKCA**
- **UL** RT9382 UL1004-1, 2nd edition rotating electrical machine File number E326930



The product is manufactured in accordance with EN 60335-1, UL1004-1, and RoHS directiv 2015/863/CE
IP class according to EN 60034-5 to be checked with operation and installation

Issued: 2023-03-09 at 11:14 Documentations and pictures are non contractual, all the data of the technical file and the drawing are subject to change.

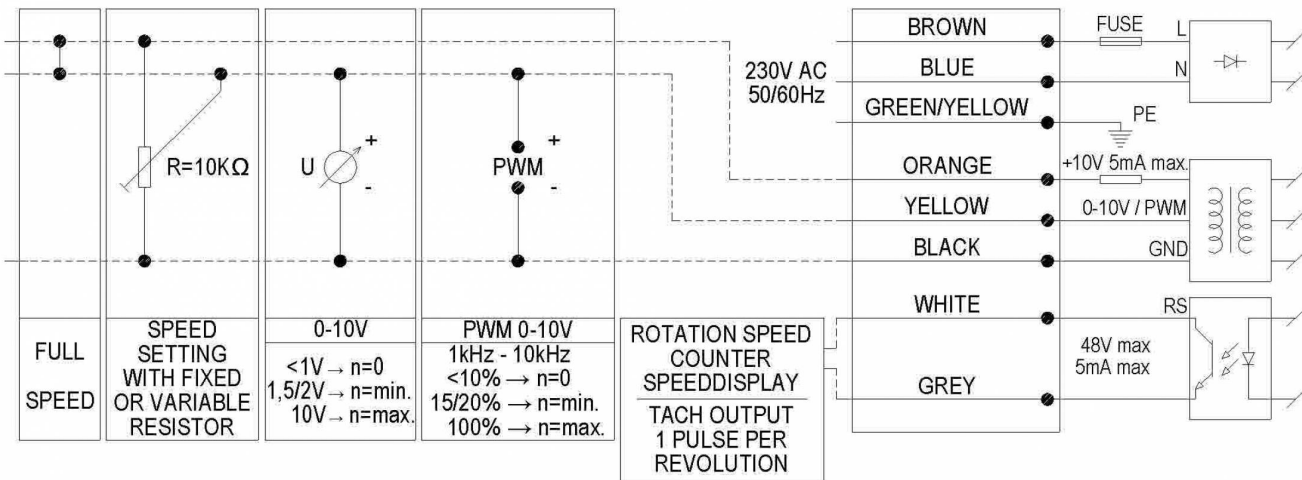
EN - Page 1 / 4

TECHNICAL DATA

Description

- Weight: 5.00 kg
- Class F
- Protection level: 54 | Protection against ingress of dust / Protection against ingress of water : splashing
- Motor's protection Electronically protected
- Bearing type: 2 ball bearings 6000ZZ
- Balance level: G2.5

Wiring diagram



Finishes

- Rotor electrolytic galvanizing protection
- Galvanized steel impeller
- Motor - UL Recognized component

The product is manufactured in accordance with EN 60335-1, UL1004-1, and RoHS directive 2015/863/CE
IP class according to EN 60034-5 to be checked with operation and installation

Issued: 2023-03-09 at 11:14 Documentations and pictures are non contractual, all the data of the technical file and the drawing are subject to change.

EN - Page 2 / 4



by



ADDITIONAL DATA

Accessories

- 21360 | Finger guard

Documentations

- Operating and recycling manual
<http://www.ecofit.com/anglais/normes>

Measurement setup

- Ouie 16234-0 Ouie 250R69

ERP DATA

Data according to ErP directive

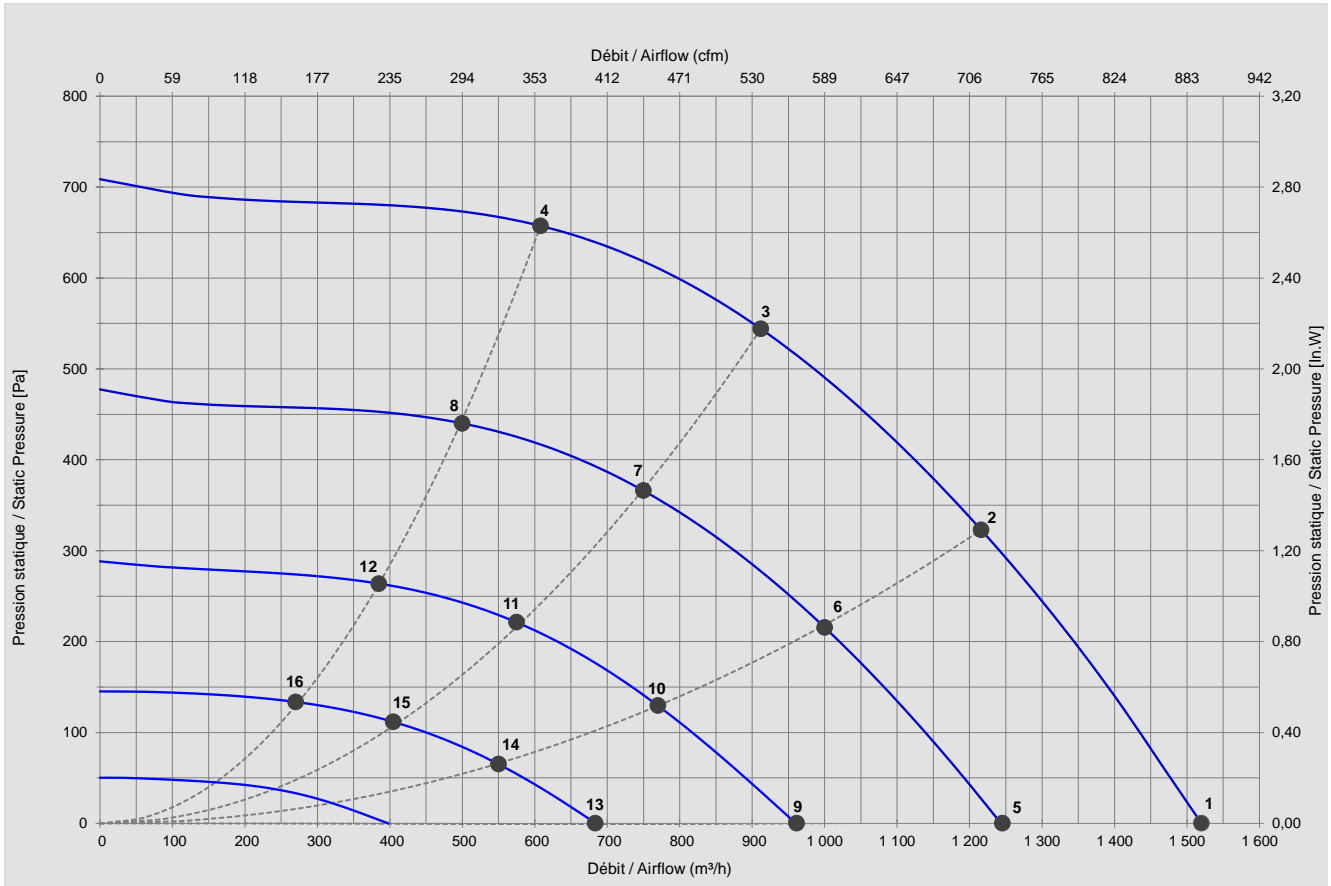
Tension	230 V
Frequency	50/60 Hz
Power ¹	0.288 kW
Airflow ¹	950 m3/h
Pressure ¹	525 Pa
Rotation ¹	3005 RPM
Catégorie de mesure	A
Catégorie de rendement	total
Variateur de vitesse	Yes
Rapport spécifique	1.00

- Designed for standard applications according to the directive EU 2009/125/EC

	Actual	2015
Rendement global	54.1	45.8
Niveau de rendement	70	62

¹ at optimum energy efficiency point

TECHNICAL DATA



Mesures / Measured Values*

	Un (V)	Vctl (Vdc)	F (Hz)	P (W)	n (RPM)	Q (m³/h)	P (Pa)	Q (cfm)	P (in.W)	Lp _n (dBA)
1	230	10	50/60	187	3000	1 520	0	895	0,000	75,0
2	230	10	50/60	263	3002	1 216	323	716	1,293	73,0
3	230	10	50/60	288	3003	912	544	537	2,180	71,0
4	230	10	50/60	268	3006	608	657	358	2,633	70,0
5	230	8	50/60	111	2470	1 245	0	733	0,000	70,0
6	230	8	50/60	148	2471	1 000	216	589	0,864	68,0
7	230	8	50/60	164	2472	750	366	441	1,466	66,0
8	230	8	50/60	155	2467	500	440	294	1,763	64,0
9	230	6	50/60	60	1920	962	0	566	0,000	64,0
10	230	6	50/60	76	1920	770	129	453	0,519	62,0
11	230	6	50/60	85	1918	575	221	338	0,886	59,0
12	230	6	50/60	78	1915	385	264	227	1,057	58,0
13	230	4	50/60	27	1364	684	0	402	0,001	
14	230	4	50/60	34	1369	550	65	324	0,261	
15	230	4	50/60	37	1369	405	112	238	0,447	
16	230	4	50/60	35	1368	270	134	159	0,535	

* Air performance measured according to: ISO 5801, installation category C.
Intake-side sound level, according to ISO 3744, LpA measured at 1 m distance from fan axis. The values given are only applicable under the specified measuring conditions and may differ depending on the installation conditions. In the event of deviation

The product is manufactured in accordance with EN 60335-1, UL1004-1, and RoHS directive 2015/863/CE
IP class according to EN 60034-5 to be checked with operation and installation