

# Technical data sheet

Revision 0  
Revision 12/2022

**ECOFIT**

by



Model  
**X45-A0-1**

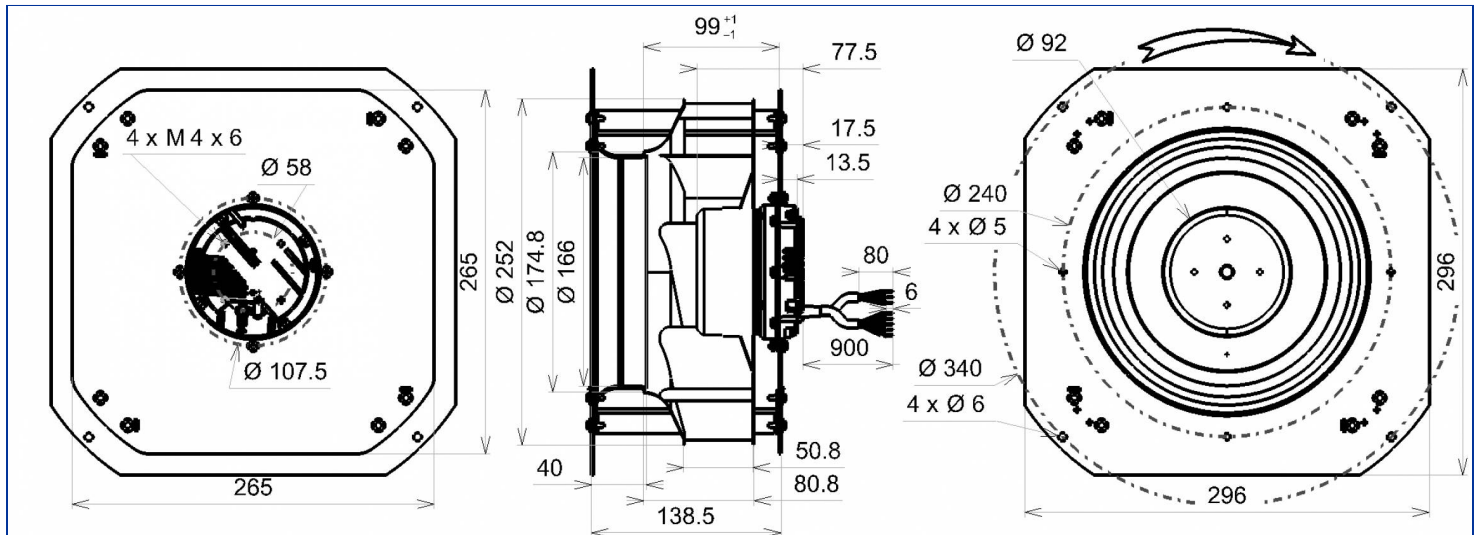


Designation **RRMG9 250x50R**

Range Backward curved centrifugal fans with electronic commutation motor

## ELECTRICAL DATA

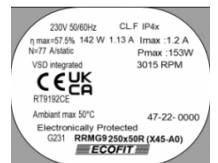
Tension (V)	230
Frequency (Hz)	50/60
Current (A)	1.13
Maximum current (A)	1.20
Power (W)	142
Maximum power (W)	153
Rotation (RPM)	3015
Cos Φ	0.546
Temperature min/max (°C)	-20/+50



## MARKING & STANDARDS

### Conformity

- **CE** RT9192CE IEC 60335-1, EN 60331-2-80, EN 60335-1, IEC 60335-2-80
- **UKCA**



The product is manufactured in accordance with EN 60335-1, and RoHS directive 2015/863/CE  
IP class according to EN 60034-5 to be checked with operation and installation

Issued: 2022-12-02 at 11:12 Documentations and pictures are non contractual, all the data of the technical file and the drawing are subject to change.

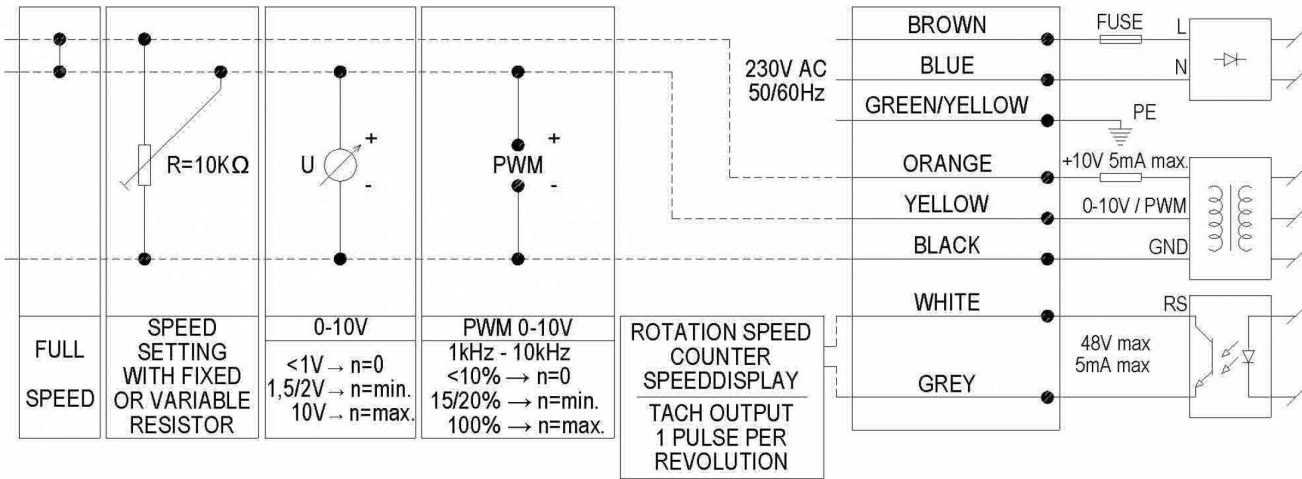
EN - Page 1 / 4

TECHNICAL DATA

Description

- Weight: 3.60 kg
- With Condensat Drain Holes
- Class F
- Protection level: 4x | Protection against ingress of solid with diameter  $\geq 1$  mm / No information
- Motor's protection Electronically protected
- Bearing type: 2 ball bearings 608ZZ
- Balance level: G2.5

Wiring diagram



Finishes

- Rotor : black paint
- Galvanized steel impeller



by



ADDITIONAL DATA

Documentations

- Operating and recycling manual  
<http://www.ecofit.com/anglais/normes>

Measurement setup

- Ouie 16234-a Ouie Ø290Ex Ø166Int GALVA

ERP DATA

Data according to ErP directive

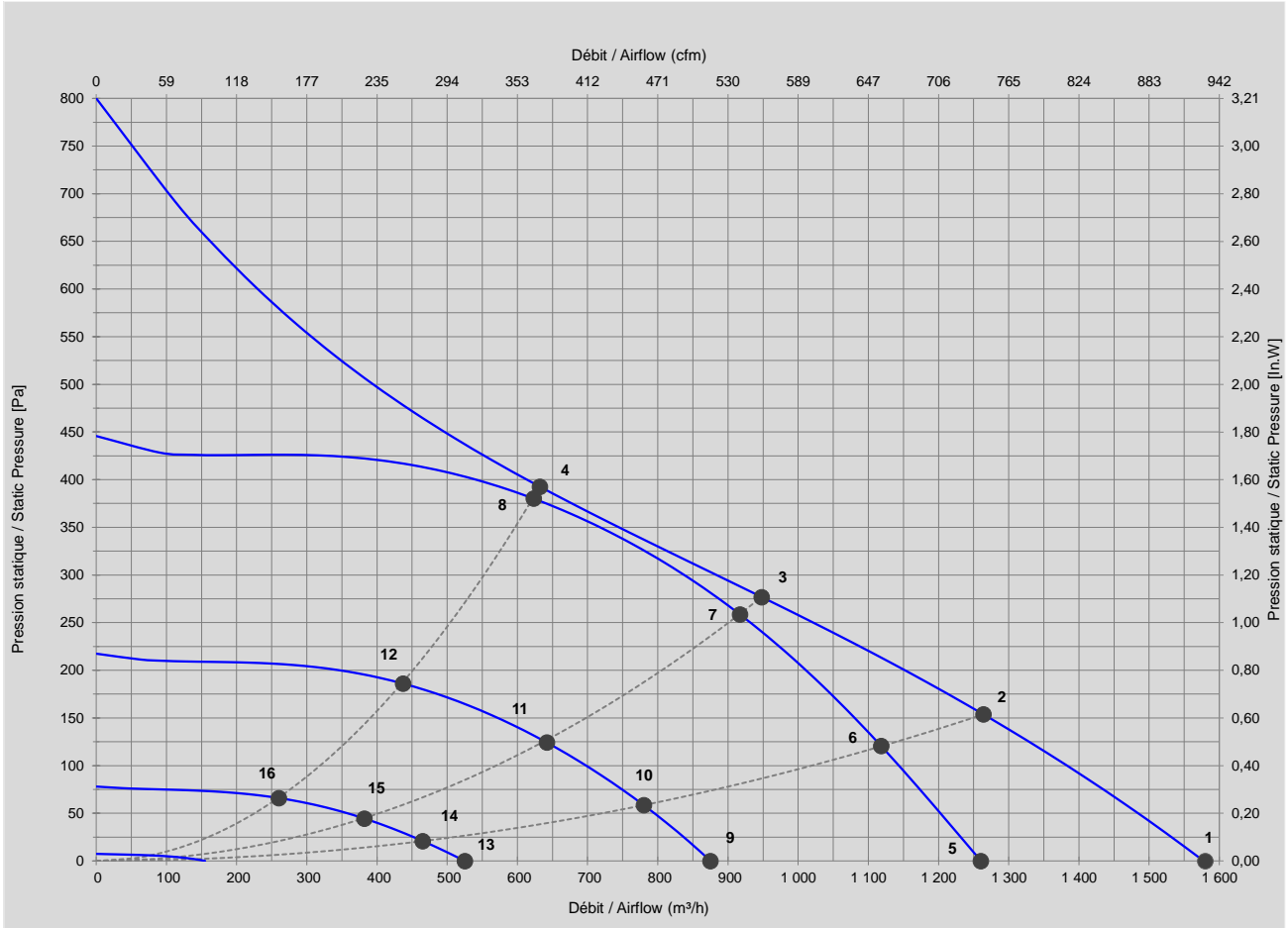
Tension	230 V
Frequency	50/60 Hz
Power <sup>1</sup>	0.146 kW
Airflow <sup>1</sup>	851 m3/h
Pressure <sup>1</sup>	309 Pa
Rotation <sup>1</sup>	2442 RPM
Catégorie de mesure	A
Catégorie de rendement	total
Variateur de vitesse	Yes
Rapport spécifique	1.00

- Designed for standard applications according to the directive EU 2009/125/EC

	Actual	2015
Rendement global	57.5	42.7
Niveau de rendement	77	62

<sup>1</sup> at optimum energy efficiency point

TECHNICAL DATA



Mesures / Measured Values\*

	Un (V)	Vctl (V)	F (Hz)	P (W)	n (RPM)	Q (m³/h)	P (Pa)	Q (cfm)	P (In.W)	Lp <sub>in</sub> (dBA)
1	230	10	50/60	142	3015	1 580	0	930	0,000	79
2	230	10	50/60	153	2721	1 264	154	744	0,616	75
3	230	10	50/60	149	2489	948	277	558	1,109	71
4	230	10	50/60	147	2434	632	393	372	1,573	69
5	230	8	50/60	76	2405	1 260	0	742	0,000	74
6	230	8	50/60	105	2402	1 118	121	658	0,484	72
7	230	8	50/60	134	2403	917	259	540	1,036	70
8	230	8	50/60	141	2400	623	380	367	1,523	69
9	230	6	50/60	28	1680	875	0	515	0,000	66
10	230	6	50/60	37	1681	780	58	459	0,234	65
11	230	6	50/60	46	1679	642	124	378	0,497	62
12	230	6	50/60	49	1681	437	186	257	0,745	60
13	230	4	50/60	9	1005	525	0	309	0,000	53
14	230	4	50/60	11	1007	465	21	274	0,084	51
15	230	4	50/60	12	1008	382	44	225	0,178	49
16	230	4	50/60	12	1007	260	66	153	0,264	47

\* Air performance measured according to: ISO 5801, installation category C.

Intake-side sound level: according to ISO 3744, LpA measured at 1 m distance from fan axis. The values given are only applicable under the specified measuring conditions and may differ depending on the installation conditions. In the event of deviation

The product is manufactured in accordance with EN 60335-1, and RoHS directive 2015/863/CE  
IP class according to EN 60034-5 to be checked with operation and installation