

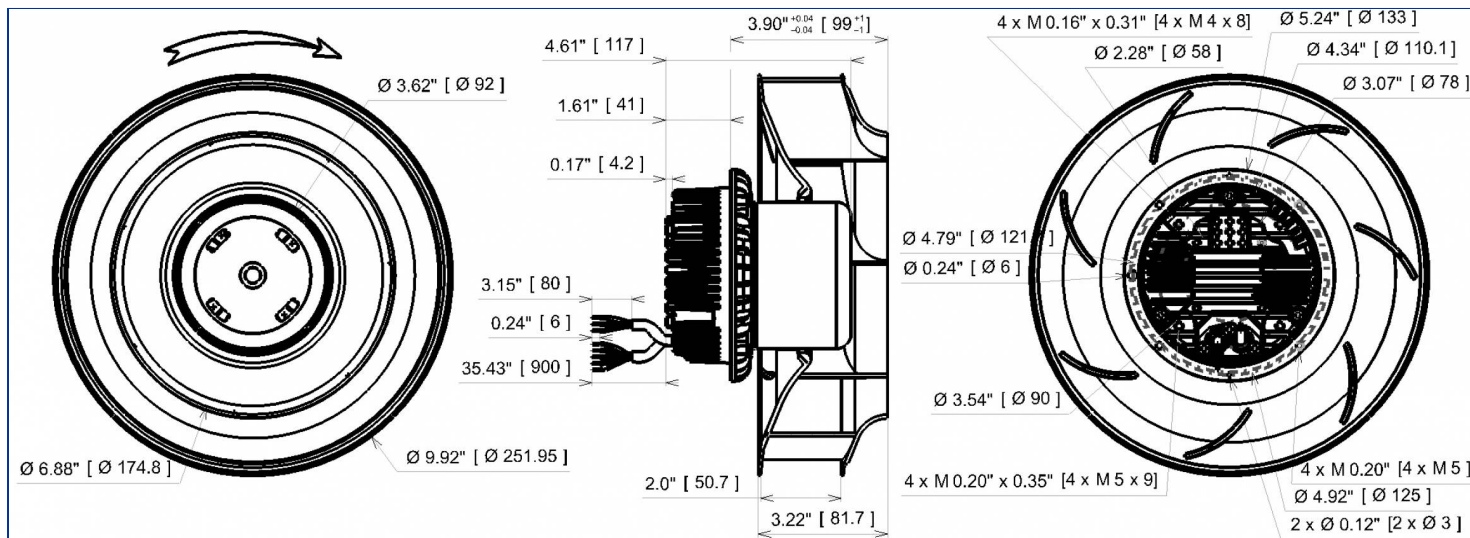


Designation **RREuV8 250x50R**

Range Backward curved centrifugal fans with electronic commutation motor

ELECTRICAL DATA

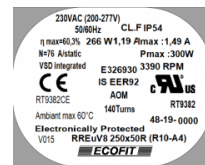
Tension (V)	230
Frequency (Hz)	50/60
Current (A)	1.19
Maximum current (A)	1.49
Power (W)	266
Maximum power (W)	300
Rotation (RPM)	3390
Cos Φ	0.972
Temperature min/max (°C)	-25/+60



MARKING & STANDARDS

Conformity

- **CE** RT9382CE IEC 60335-2-80, IEC 60335-1, EN 60331-2-80, EN 60335-1
- **UL** RT9382 UL1004-1, 2nd edition rotating electrical machine File number E326930



The product is manufactured in accordance with EN 60335-1, UL1004-1, and RoHS directive 2015/863/CE
IP class according to EN 60034-5 to be checked with operation and installation

Issued: 2024-02-14 at 11:27 Documentations and pictures are non contractual, all the data of the technical file and the drawing are subject to change.

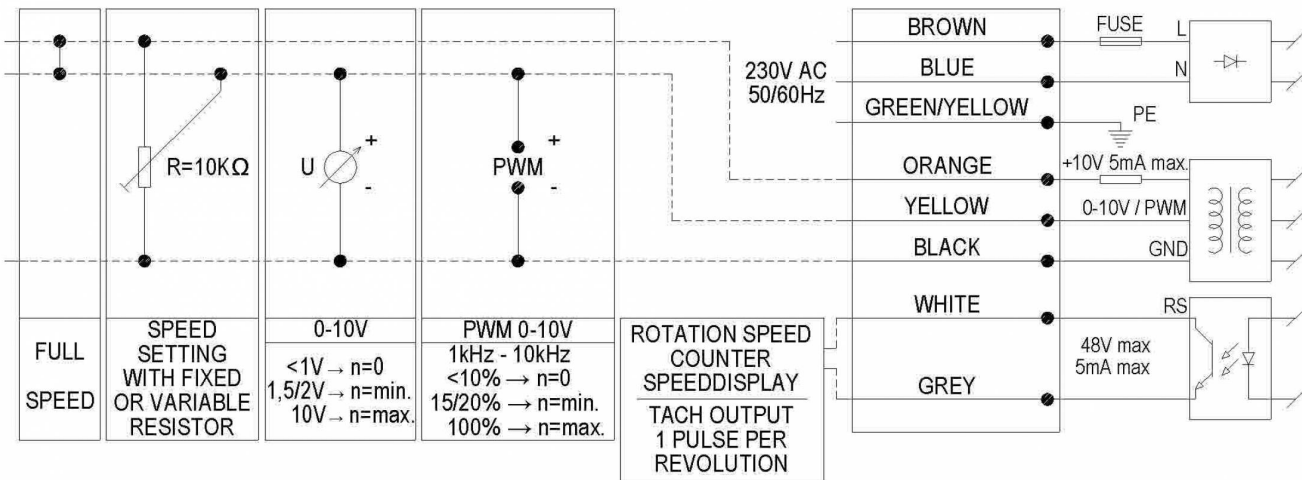
EN - Page 1 / 4

TECHNICAL DATA

Description

- Weight: 3.00 kg
- Class F
- Protection level: 54 | Protection against ingress of dust / Protection against ingress of water : splashing
- Motor's protection Electronically protected
- Bearing type: 2 ball bearings 6000ZZ
- Balance level: G2.5

Wiring diagram



Finishes

- Rotor electrolytic galvanizing protection
- PA 6/6 UL 94 V-0 plastic impeller

The product is manufactured in accordance with EN 60335-1, UL1004-1, and RoHS directive 2015/863/CE
IP class according to EN 60034-5 to be checked with operation and installation

Issued: 2024-02-14 at 11:27 Documentations and pictures are non contractual, all the data of the technical file and the drawing are subject to change.



by



ADDITIONAL DATA

Documentations

- Operating and recycling manual
<http://www.ecofit.com/anglais/normes>

Measurement setup

- Ouie 16234-0 Ouie 250R69

ERP DATA

Data according to ErP directive

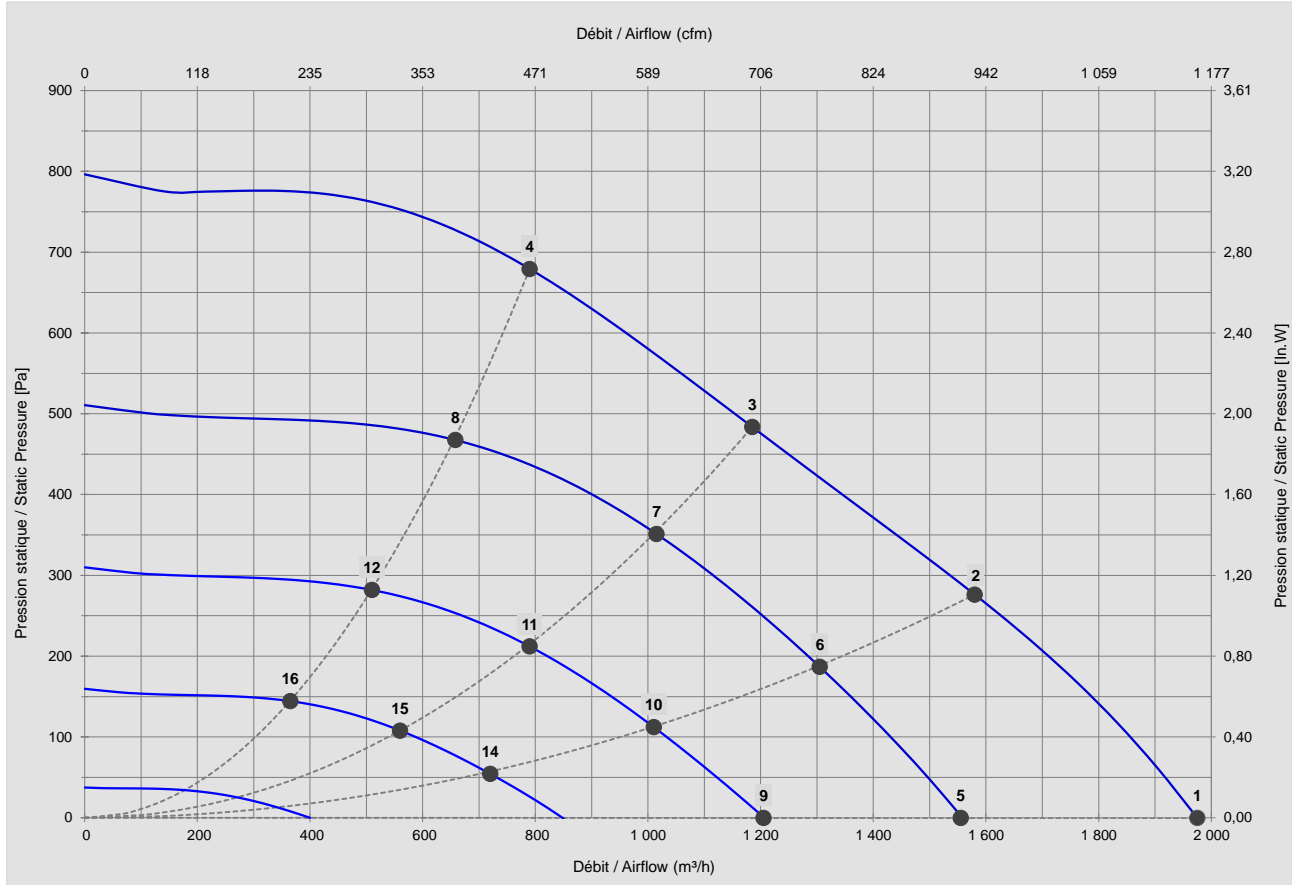
- Designed for standard applications according to the directive EU 2009/125/EC

Tension	230 V
Frequency	50/60 Hz
Power ¹	0.3 kW
Airflow ¹	1015 m3/h
Pressure ¹	571 Pa
Rotation ¹	3204 RPM
Catégorie de mesure	A
Catégorie de rendement	total
Variateur de vitesse	Yes
Rapport spécifique	1.00

	Actual	2015
Rendement global	60.3	46.0
Niveau de rendement	76	62

¹ at optimum energy efficiency point

TECHNICAL DATA



Mesures / Measured Values*

	Un (V)	Vctl (Vdc)	F (Hz)	P (W)	n (RPM)	Q (m³/h)	P (Pa)	Q (cfm)	P (In.W)	Lp _n (dBA)
1	230	10	50/60	266	3390	1 975	0	1 163	0,000	72
2	230	10	50/60	302	3294	1 580	276	930	1,107	72
3	230	10	50/60	298	3193	1 185	484	698	1,938	70
4	230	10	50/60	302	3285	790	679	465	2,721	68
5	230	8	50/60	143	2736	1 555	0	915	0,000	67
6	230	8	50/60	179	2737	1 305	187	768	0,748	66
7	230	8	50/60	192	2737	1 015	351	597	1,407	64
8	230	8	50/60	180	2736	658	468	387	1,873	63
9	230	6	50/60	77	2133	1 205	0	709	0,000	62
10	230	6	50/60	91	2133	1 010	112	594	0,450	61
11	230	6	50/60	98	2132	790	212	465	0,849	59
12	230	6	50/60	91	2130	510	282	300	1,129	57
13	230	4	50/60	34	1527	850	-1	500	-0,003	
14	230	4	50/60	40	1527	720	54	424	0,218	
15	230	4	50/60	43	1525	560	108	330	0,432	
16	230	4	50/60	41	1526	365	144	215	0,578	

* Air performance measured according to: ISO 5801, installation category C.
Intake-side sound level: according to ISO 3744, LpA measured at 1 m distance from fan axis. The values given are only applicable under the specified measuring conditions and may differ depending on the installation conditions. In the event of deviation

The product is manufactured in accordance with EN 60335-1, UL1004-1, and RoHS directive 2015/863/CE
IP class according to EN 60034-5 to be checked with operation and installation