

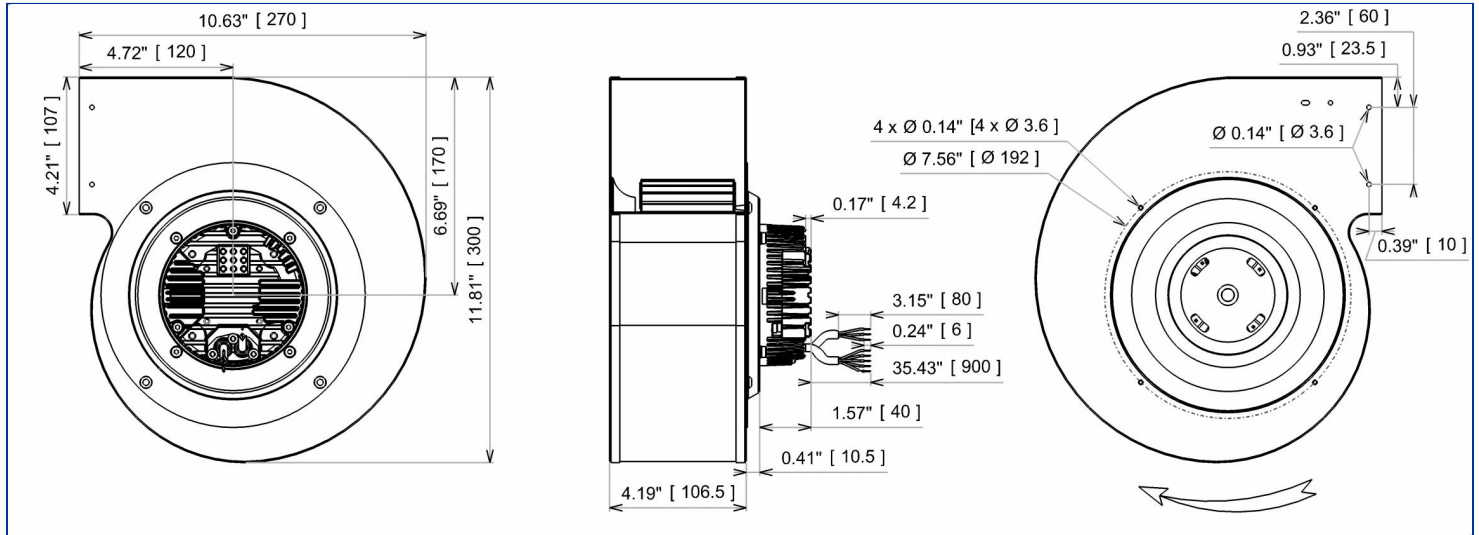


Designation **GREuV8 180x75R**

Range Single inlet centrifugal fans with electronic commutation motor

ELECTRICAL DATA

Tension (V)	230
Frequency (Hz)	50/60
Current (A)	1.32
Maximum current (A)	1.47
Power (W)	300
Maximum power (W)	300
Rotation (RPM)	2040
Cos Φ	0.988
Temperature min/max (°C)	-25/+60



MARKING & STANDARDS

Conformity

- **CE** RT9382CE IEC 60335-2-80:2002 + A1:2004
- **UL** RT9382 UL1004-1, 2nd edition rotating electrical machine File number E326930

GREuV8 180x75R 230V 50/60Hz CL.F. (D0-D77) 1.32A 300W 2040RPM IP54	RT9382 RT9382CE Ambient max 50°C η max=48.9% N=59 ALU-ASIC	E326930 ADM 175Term VSD Integrated IS EHSR92
Pmax 300W Imax 1.47 A V051 Electronically Protected T07-A0		04-21-0000

The product is manufactured in accordance with EN 60335-1, UL1004-1, and RoHS directiv 2015/863/CE
IP class according to EN 60034-5 to be checked with operation and installation

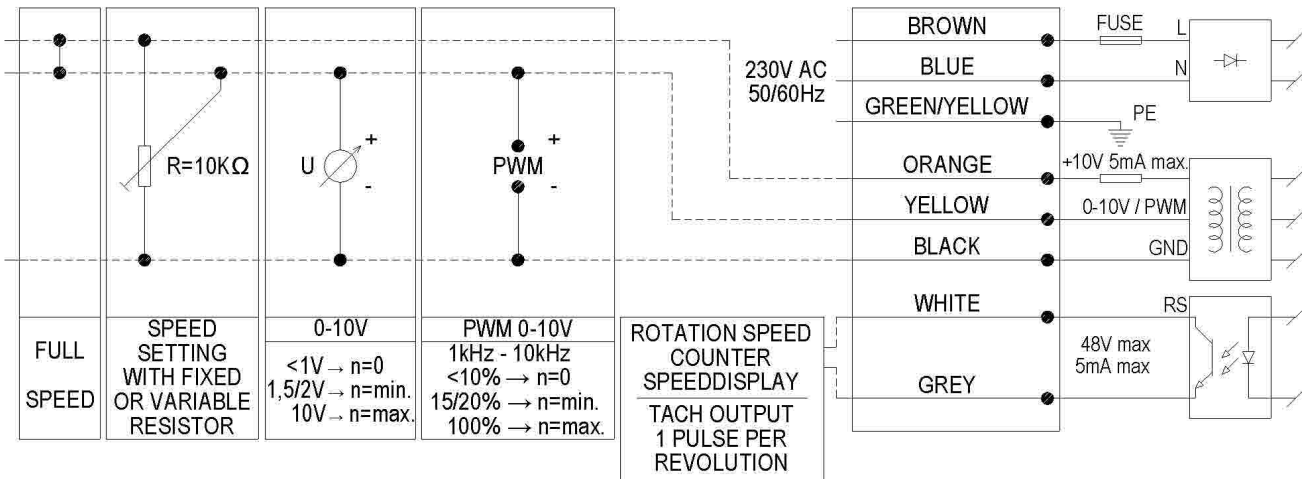
Issued: 2021-01-27 at 11:51 Documentations and pictures are non contractual, all the data of the technical file and the drawing are subject to change.

TECHNICAL DATA

Description

- Weight: 4.50 kg
- Class F
- Protection level: 54 | Protection against ingress of dust / Protection against ingress of water : splashing
- Motor's protection Electronically protected
- Bearing type: 2 ball bearings 6000ZZ
- Balance level: G2.5

Wiring diagram



Finishes

- Motor - UL Recognized component
- Rotor electrolytic galvanizing protection
- Scroll housing : black paint

ADDITIONAL DATA

Accessories

- 21194 | Finger guard

Documentations

- Operating and recycling manual
<http://www.ecofit.com/anglais/normes>

Measurement setup

- Scroll 15223-0 VOL VJ1

ERP DATA

Data according to ErP directive

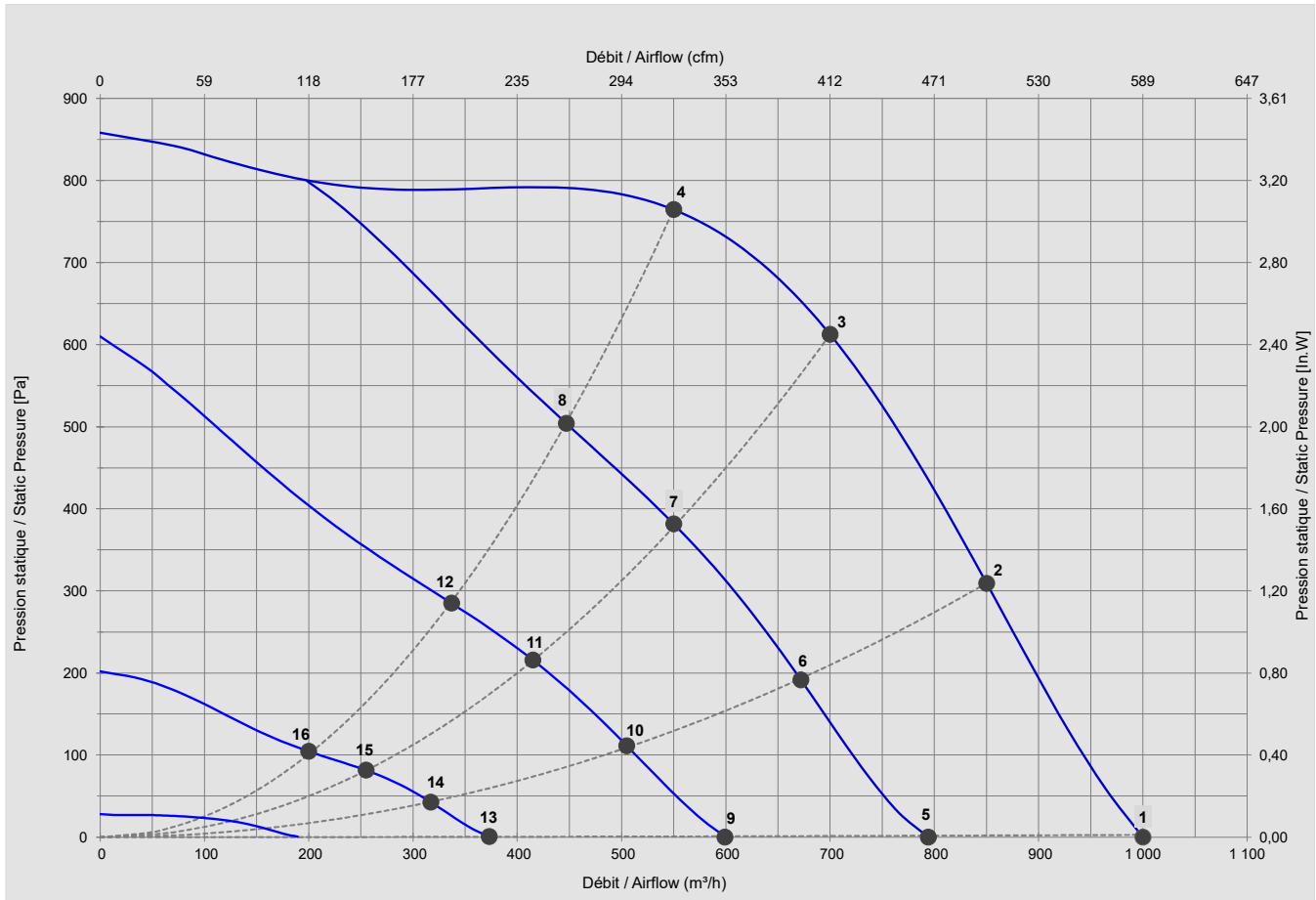
Tension	230 V
Frequency	50/60 Hz
Power ¹	0.249 kW
Airflow ¹	501 m3/h
Pressure ¹	775 Pa
Rotation ¹	2703 RPM
Catégorie de mesure	A
Catégorie de rendement	total
Variateur de vitesse	Yes
Rapport spécifique	1.00

- Designed for standard applications according to the directive EU 2009/125/EC

	Actual	2015
Rendement global	48.9	33.9
Niveau de rendement	59	44

¹ at optimum energy efficiency point

TECHNICAL DATA



Mesures / Measured Values*

	Un (V)	Vctf (Vdc)	F (Hz)	P (W)	n (RPM)	Q (m³/h)	P (Pa)	Q (cfm)	P (In.W)	Lp _{in} (dBA)
1	230	10	50/60	300	2040	1 000	0	589	0,000	
2	230	10	50/60	300	2298	850	309	500	1,239	
3	230	10	50/60	300	2553	700	612	412	2,453	
4	230	10	50/60	267	2700	550	765	324	3,063	
5	230	8	50/60	152	1626	794	0	467	0,000	
6	230	8	50/60	152	1817	672	192	396	0,767	
7	230	8	50/60	151	2013	550	382	324	1,529	
8	230	8	50/60	151	2199	447	504	263	2,019	
9	230	6	50/60	70	1218	599	0	353	0,000	
10	230	6	50/60	70	1354	505	111	297	0,446	
11	230	6	50/60	70	1510	415	216	244	0,864	
12	230	6	50/60	70	1659	337	285	198	1,141	
13	230	4	50/60	23	774	373	1	220	0,003	
14	230	4	50/60	23	850	317	43	187	0,171	
15	230	4	50/60	23	942	255	81	150	0,326	
16	230	4	50/60	23	1028	200	104	118	0,419	

* Air performance measured according to: ISO 5801, installation category C.
Intake-side sound level: according to ISO 3744, LpA measured at 1 m distance from fan axis. The values given are only applicable under the specified measuring conditions and may differ depending on the installation conditions. In the event of deviation

The product is manufactured in accordance with EN 60335-1, UL1004-1, and RoHS directive 2015/863/CE
IP class according to EN 60034-5 to be checked with operation and installation