

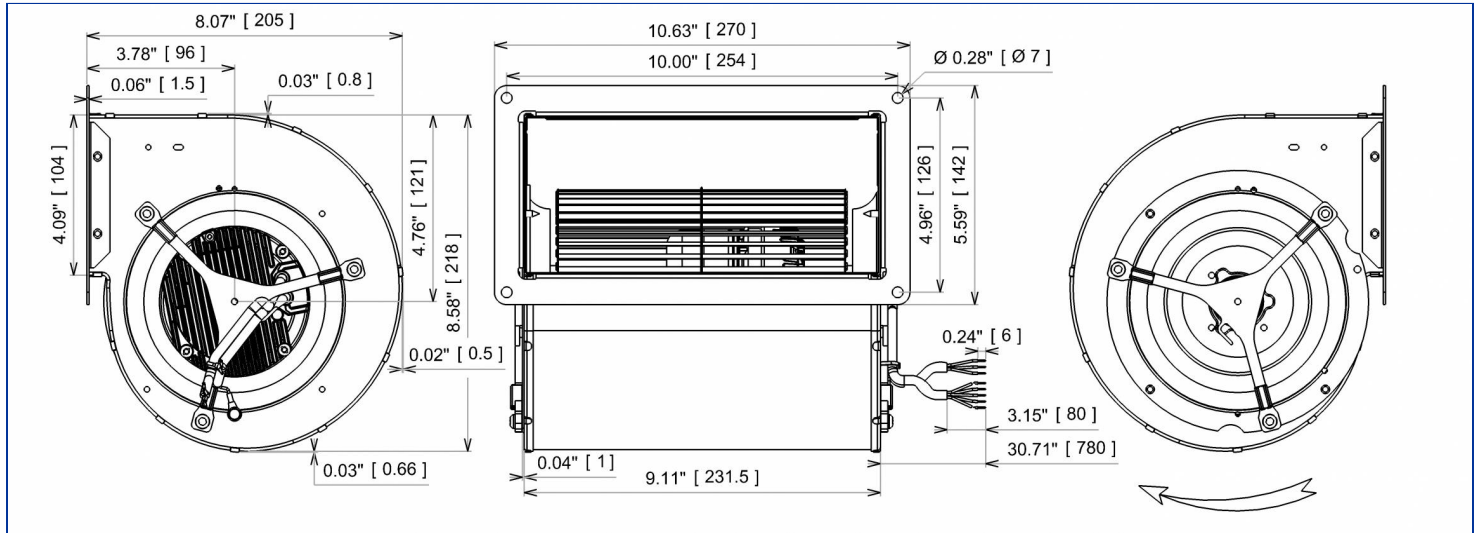


Designation **GDSuG9 146x188R**

Range Double inlet centrifugal fans with electronic commutation motor

ELECTRICAL DATA

Tension (V)	120
Frequency (Hz)	50/60
Current (A)	1.66
Maximum current (A)	2.15
Power (W)	112
Maximum power (W)	146
Rotation (RPM)	1395
Cos Φ	0.562
Temperature min/max (°C)	-25/+60



MARKING & STANDARDS

Conformity

- **UL RT9191 UL1004-1, 2nd edition**  
rotating electrical machine  
File number E326930

<b>ECOFIT</b>	<b>cRU US</b>	
GDSuG9 146x188R	RT9191	Ambient max 60°C
120V 50/60Hz CL F	E326930	η max=38.8%
1.66A 112W 1395RPM IP4x	600Turns	N=50
	20W	Abscric
Pmax=146W	G2S5	VSD Integrated
I max=2.15 A	Electronically Protected	
S35-A1		

The product is manufactured in accordance with EN 60335-1, UL1004-1, and RoHS directiv 2015/863/CE  
IP class according to EN 60034-5 to be checked with operation and installation

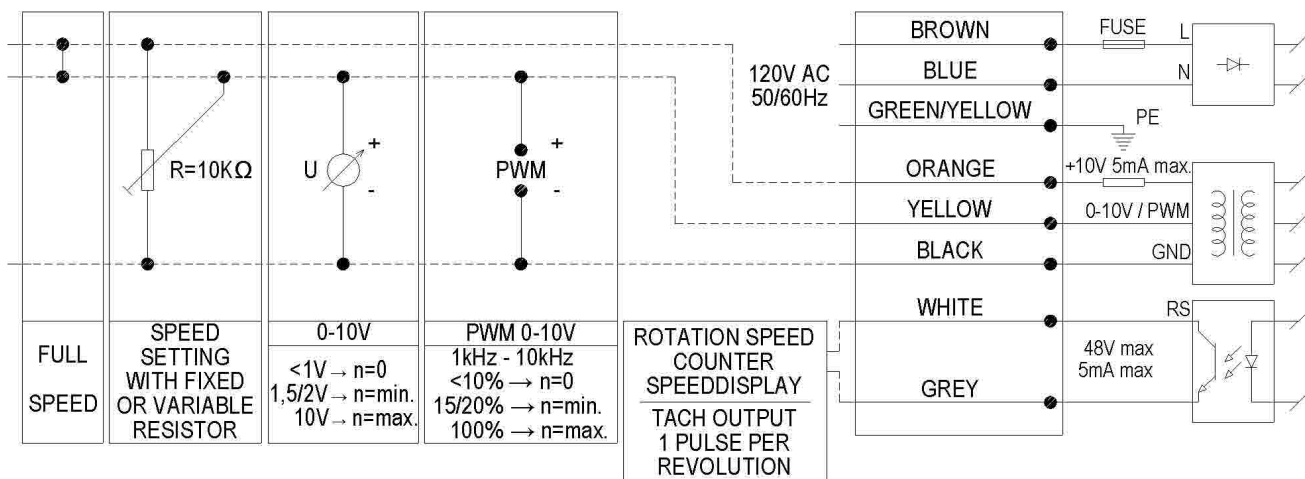
Issued: 15/09/2020 at 17:04 Documentations and pictures are non contractual, all the data of the technical file and the drawing are subject to change.

TECHNICAL DATA

Description

- Weight: 3.70 kg
- With Condensat Drain Holes
- Class F
- Protection level: 4x | Protection against ingress of solid with diameter  $\geq 1$  mm / No information
- Motor's protection Electronically protected
- Bearing type: 2 ball bearings 608ZZ
- Balance level: G2.5

Wiring diagram



Finishes

- Motor - UL Recognized component

ADDITIONAL DATA

Accessories

- 21338 | Finger guard

Documentations

- Operating and recycling manual  
<http://www.ecofit.com/anglais/normes>

Measurement setup

- Scroll 15278 VOL VHD232 H18

ERP DATA

Data according to ErP directive

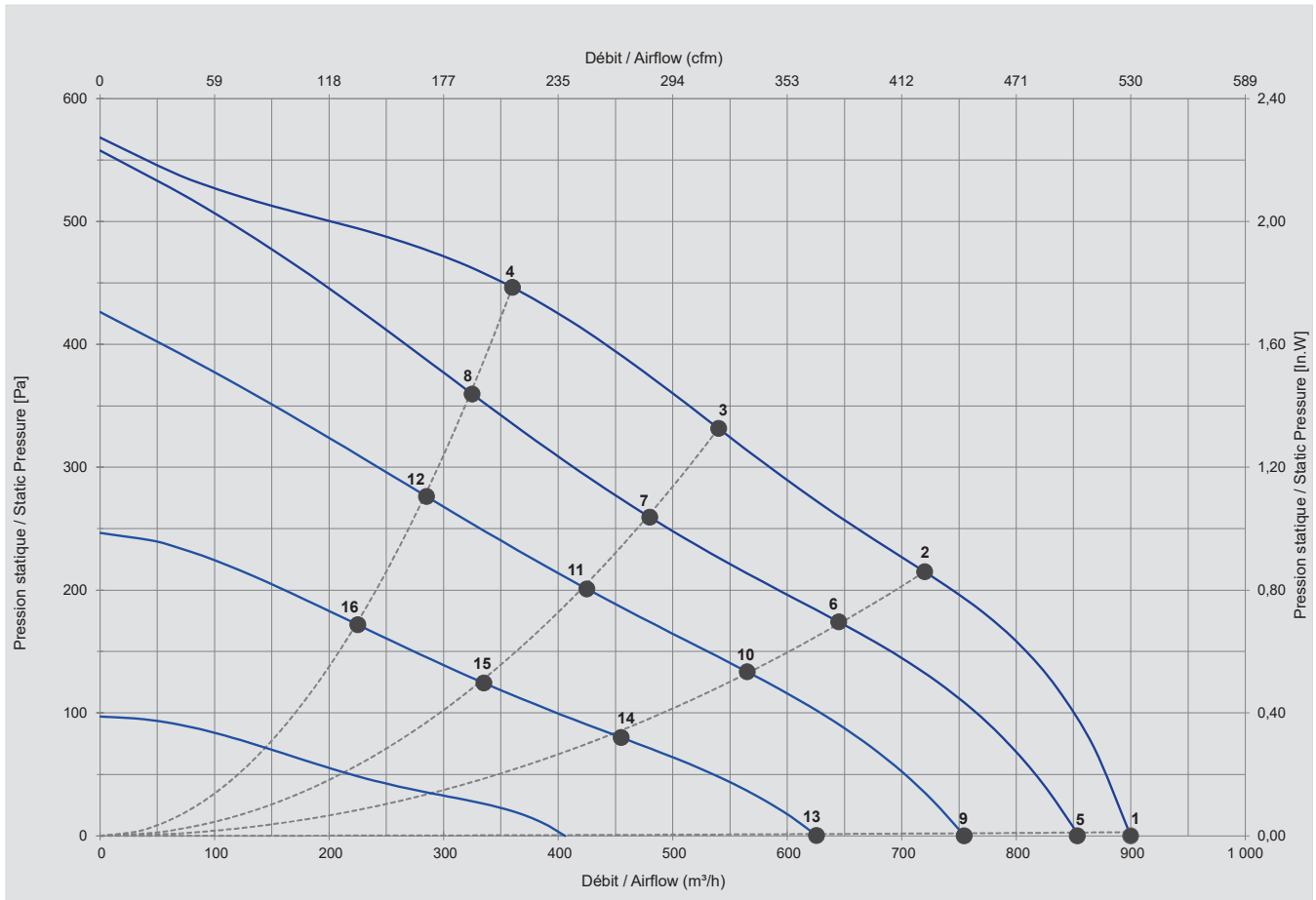
Tension	120 V
Frequency	50/60 Hz
Power <sup>1</sup>	0.146 kW
Airflow <sup>1</sup>	445 m3/h
Pressure <sup>1</sup>	400 Pa
Rotation <sup>1</sup>	2528 RPM
Catégorie de mesure	A
Catégorie de rendement	total
Variateur de vitesse	Yes
Rapport spécifique	1.00

- Designed for standard applications according to the directive EU 2009/125/EC

	Actual	2015
Rendement global	38.8	32.4
Niveau de rendement	50	44

<sup>1</sup> at optimum energy efficiency point

TECHNICAL DATA



Mesures / Measured Values\*

	Un (V)	Vctl (Vdc)	F (Hz)	P (W)	n (RPM)	Q (m³/h)	P (Pa)	Q (cfm)	P (In.W)	Lp <sub>in</sub> (dBA)
1	120	10	50/60	112	1395	900	0	530	0,000	
2	120	10	50/60	148	2000	720	215	424	0,861	
3	120	10	50/60	146	2330	540	332	318	1,328	
4	120	10	50/60	139	2628	360	446	212	1,788	
5	120	8	50/60	105	1384	853	0	502	0,000	
6	120	8	50/60	105	1783	645	174	380	0,698	
7	120	8	50/60	106	2065	480	259	283	1,039	
8	120	8	50/60	105	2393	325	360	191	1,441	
9	120	6	50/60	70	1206	755	0	444	0,000	
10	120	6	50/60	70	1576	565	133	333	0,535	
11	120	6	50/60	70	1821	425	201	250	0,805	
12	120	6	50/60	71	2097	285	276	168	1,107	
13	120	4	50/60	36	978	626	0	368	0,001	
14	120	4	50/60	36	1237	455	80	268	0,321	
15	120	4	50/60	36	1440	335	124	197	0,499	
16	120	4	50/60	36	1653	225	172	132	0,688	

\* Air performance measured according to: ISO 5801, installation category C.  
Intake-side sound level: according to ISO 3744, LpA measured at 1 m distance from fan axis. The values given are only applicable under the specified measuring conditions and may differ depending on the installation conditions. In the event of deviation

The product is manufactured in accordance with EN 60335-1, UL1004-1, and RoHS directive 2015/863/CE  
IP class according to EN 60034-5 to be checked with operation and installation