



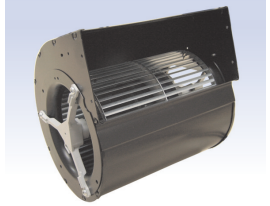
GDSuG9 146x188R (120V) N23-A8-1



DATA SHEET

release. b - Revision 03-2019

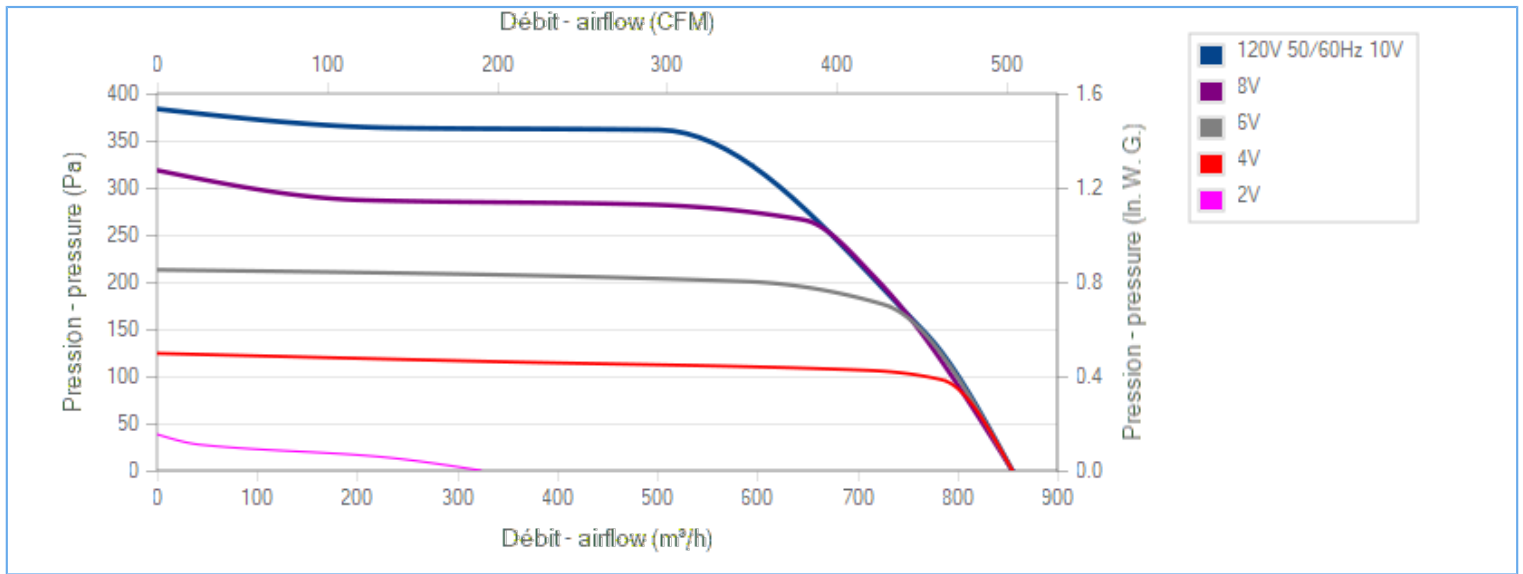
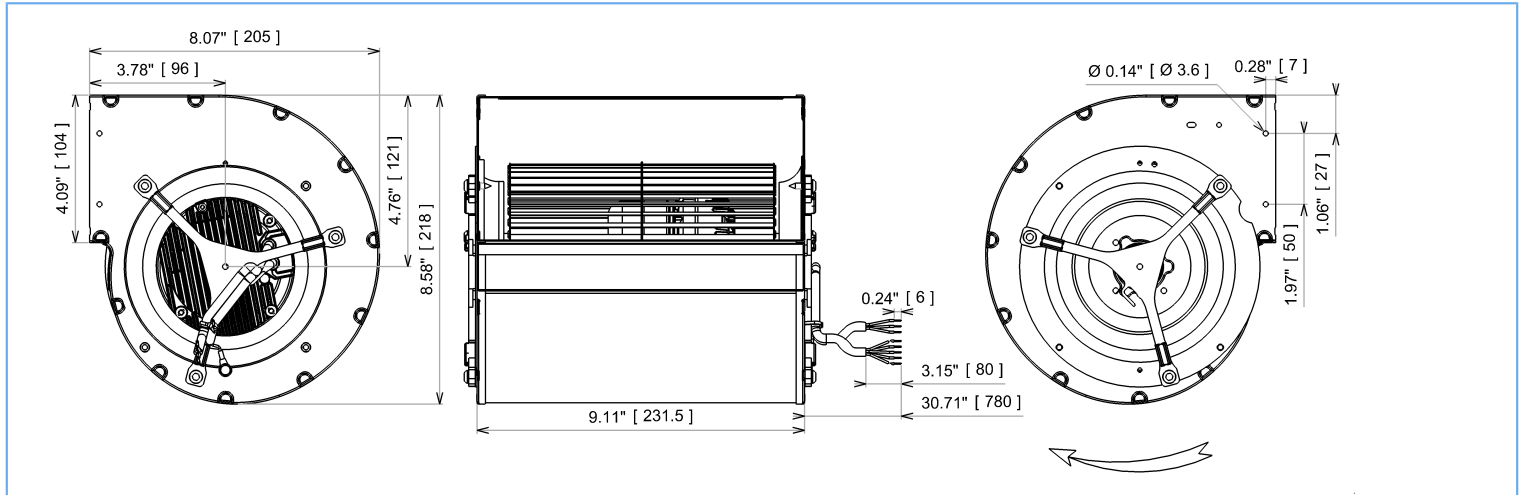
| Voltage | Frequency | Input Power | Input Current | Airflow | Rotation speed | Acoustic level | Direction rotation | Admissible Temperature |
|---------|-----------|-------------|---------------|-------------------|----------------|----------------|--------------------|------------------------|
| V | Hz | W | A | m ³ /h | RPM | dBA | ↻ | Min/Max |
| 120 | 50/60 | 91 | 1,37 | 855 | 1320 | 58 | R | -25°C / +60°C |
| 120 | 50/60 | | | 503 CFM | | | | -13°F / 140°F |



dBA : free blowing

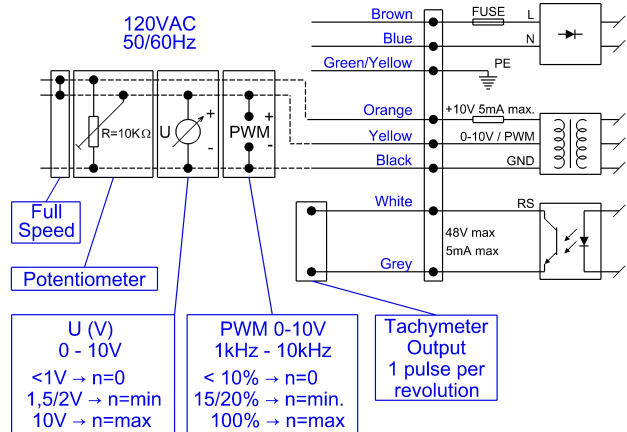
ErP 2013 OK

ErP 2015 OK



Description

- .Weight : 3,6 Kg
- .Ball bearing
- .Insulation Class F
- .IP4x may be IP44 according to EN60034-5 after checking the integration into the customer appliance
- .G2.5 balancing
- .Scroll housing : black paint
- .Motor - UL Recognized component





GDSuG9 146x188R (120V) N23-A8-1



DATA SHEET

release. b - Revision 03-2019

Data in accordance to ErP directive

| | | |
|----------------|-------|----------------------------------|
| Voltage | 120 | V |
| Frequency | 50 | Hz |
| Power | 0,143 | kW ⁽¹⁾ |
| Airflow | 502 | m ³ /h ⁽¹⁾ |
| Pressure | 361 | Pa ⁽¹⁾ |
| Rotation speed | 2369 | RPM ⁽¹⁾ |

(1) at optimal efficiency point

| | Actual | Request 2013 | Request 2015 |
|-------------------------------|--------|--------------|--------------|
| Overall efficiency (η) | 40,4 | 25,3 | 32,3 |
| Efficiency grade | 52 | 37 | 44 |
| Installation category | A | | |
| Efficiency category | static | | |
| Variable speed drive | Yes | | |
| Specific ratio | 1,00 | | |

Designed for regular application according ErP directive EU 2009/125/EC

Accessories

21338

Measurement setup

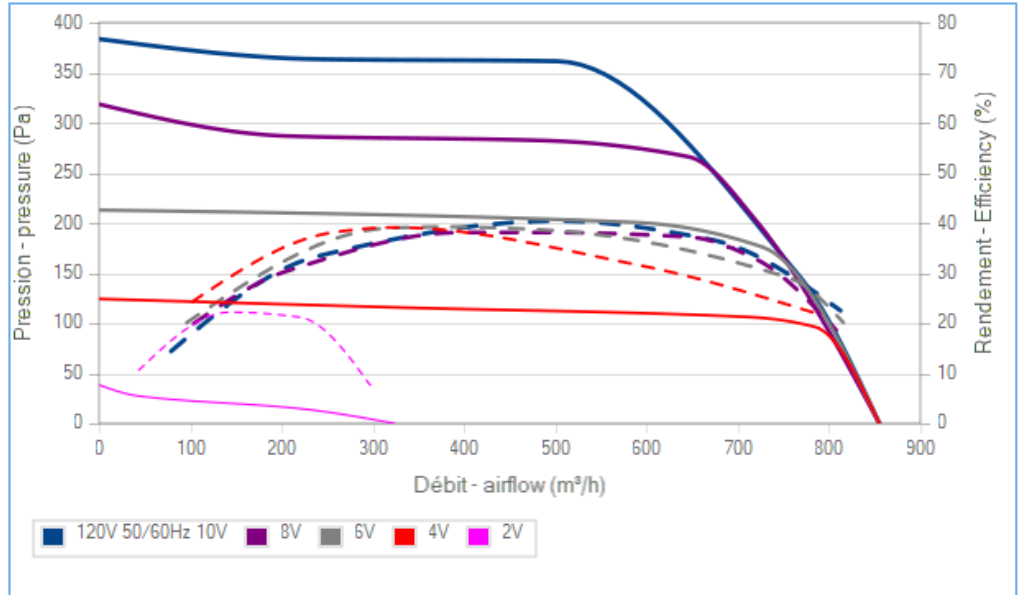
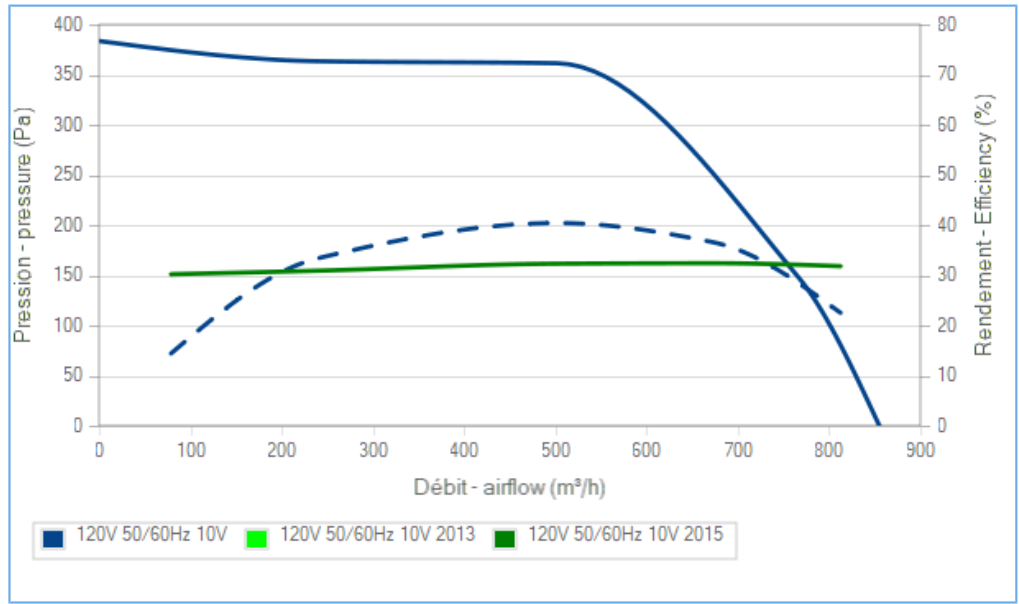
Contact ECOFIT

Documents

Manuel d'utilisation
www.ecofit.com/site/normes

Operating and recycling manual
www.ecofit.com/anglais/normes

UL1004-1, 2nd edition "rotating electrical machine"
 UL1004-3, 1st edition "thermally protected motors"
 UL1004-7, 2nd edition "electronically protected motors"
 C22.2 N°100-04, 6th edition "motors and generator"
 C22.2 N°77-95, 7th edition "motors with inherent overheating protection"
 UL Motor Model : RT9191
 File Number : E326930 XDNW2,8



La courbe de rendement intègre le facteur de compensation de charge partielle du règlement (UE) n°327/2011
 The efficiency curve includes part load compensation factor of regulation (EU) n°327/2011

Non contractual document. All specifications are subject to change without prior notice. Picture for information only.