



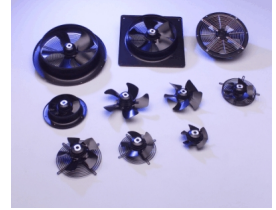
4VREu45 350A (115V)

H26-A7 p

DATA SHEET

release. a - Revision 12-2015

Voltage	Frequency	Input Power	Input Current	Capacitor	Airflow	Rotation speed	Acoustic level	Direction rotation	Admissible Temperature
V	Hz	W	A	µF	m³/h	RPM	dBA		Min/Max
115	50	117	1,14	12,0	2685	1240	60	R	-40°C / +70°C
115	60	140	1,24	12,0	2935	1230	62	R	-40°C / +70°C
115	50				1580 CFM				-40°F / 158°F
115	60				1727 CFM				-40°F / 158°F



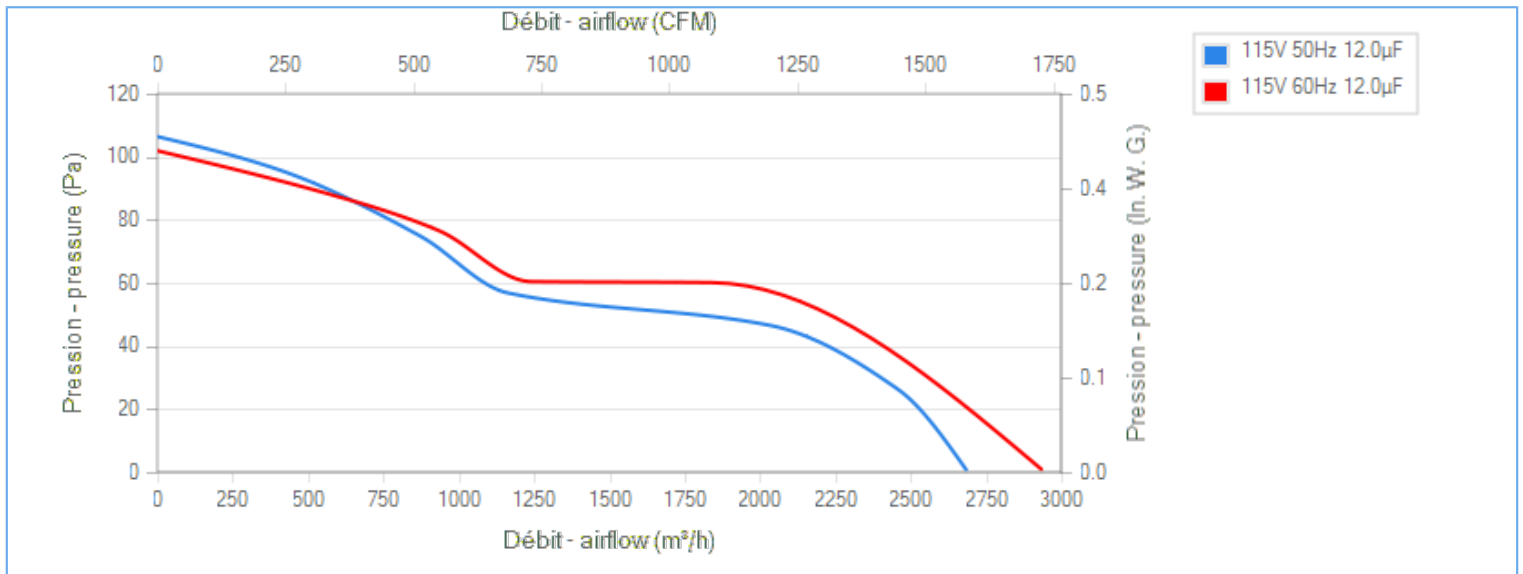
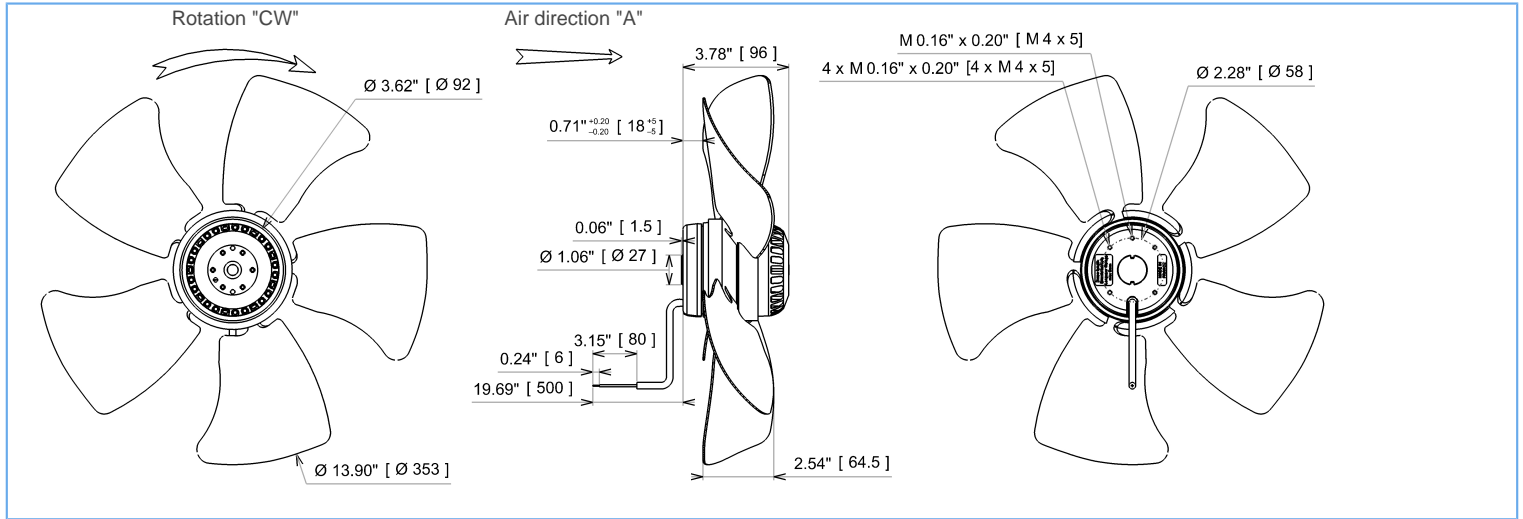
dBA : free blowing

ErP 2013

NOK

ErP 2015

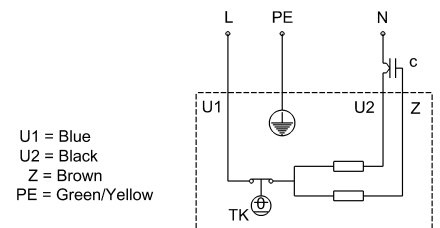
NOK



Tested with ECOFIT ring

Description

- .Weight : 3,3 Kg
- .Ball bearing
- .Class F, thermally protected
- .IP44 protection depending on installation and position as per EN60034-5
- .G6.3 balancing
- .Zinc coated impeller
- .Rotor and impeller : black paint
- .Motor - UL Recognized component



Non contractual document. All specifications are subject to change without prior notice. Picture for information only.



4VREu45 350A (115V)

H26-A7 p

DATA SHEET

release. a - Revision 12-2015

Data in accordance to ErP directive

Voltage	115	V
Frequency	50	Hz
Power	0,127	kW ⁽¹⁾
Airflow	2035	m ³ /h ⁽¹⁾
Pressure	46,5	Pa ⁽¹⁾
Rotation speed	1174	RPM ⁽¹⁾
(1) at optimal efficiency point		

For service use only in Europe according ErP directive EU 2009/125/EC

Accessories

- 19237
- 19237
- 39658
- 09172

Measurement setup

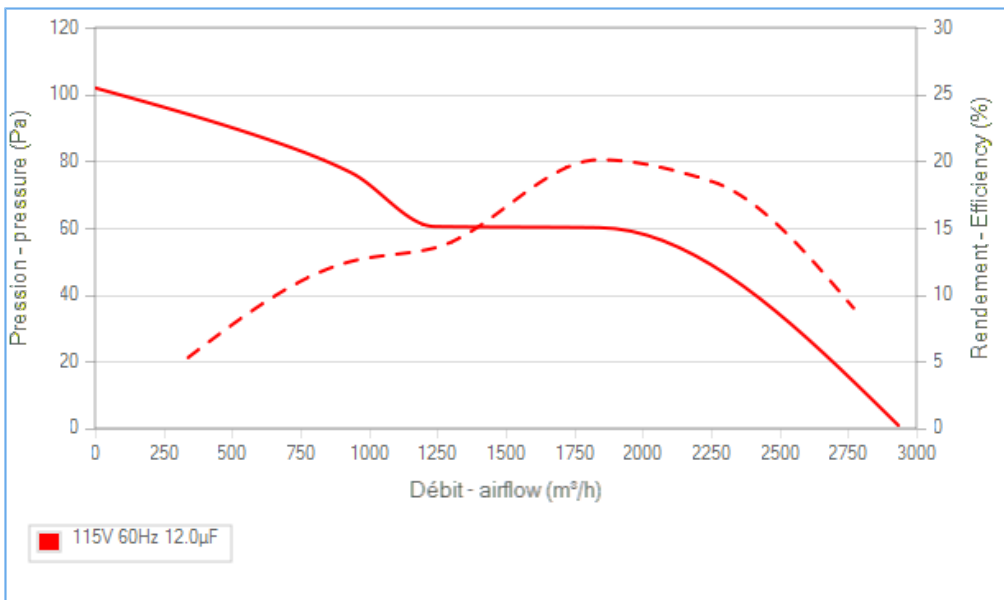
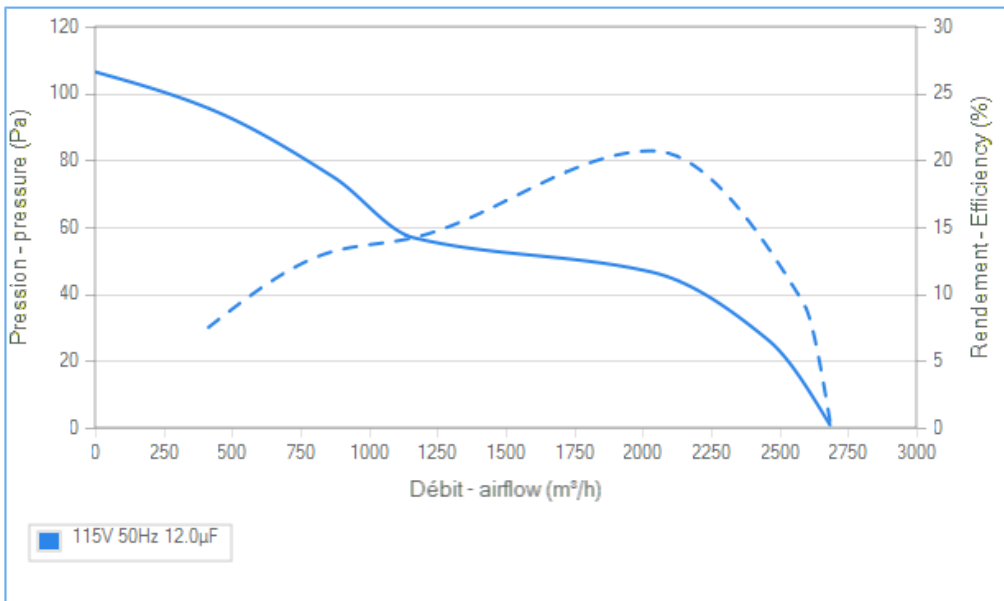
16087 VIROLE V350 RONDE

Documents

- Manuel d'utilisation
www.ecofit.com/site/normes
- Operating and recycling manual
www.ecofit.com/anglais/normes



UL2111 (XEW2,8)
N° file E135223
4RS945



Non contractual document. All specifications are subject to change without prior notice. Picture for information only.