



4VPRu45 350V

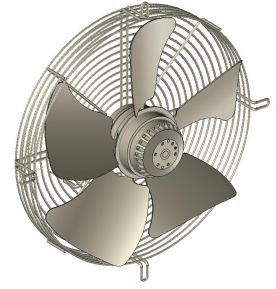
T05-A8 p



DATA SHEET

release. a - Revision 04-2019

Voltage	Frequency	Input Power	Input Current	Capacitor	Airflow	Rotation speed	Acoustic level	Direction rotation	Admissible Temperature
V	Hz	W	A	µF	m³/h	RPM	dBA	↻	Min/Max
230	50	103	0,47	3,5	2525	1195	59	L	-40°C / +70°C
230	60	125	0,55	3,5	2665	1305	61	L	-40°C / +70°C
230	50				1486 CFM				-40°F / 158°F
230	60				1568 CFM				-40°F / 158°F



dBA : free blowing

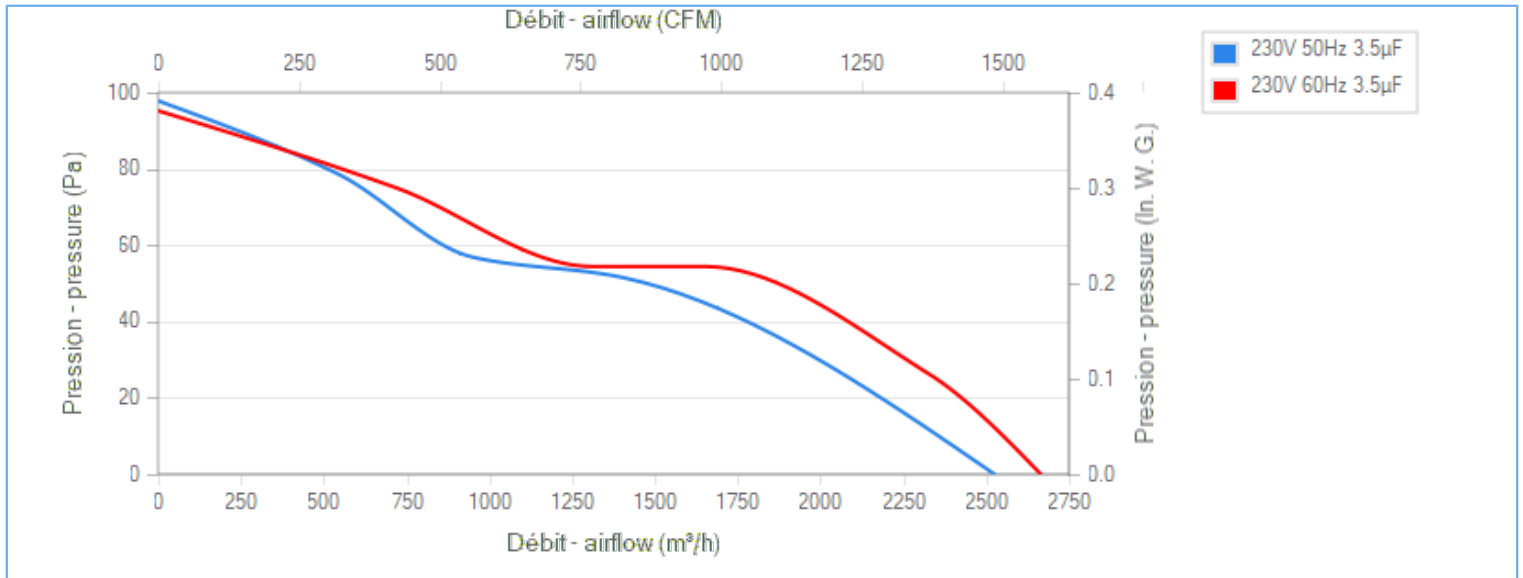
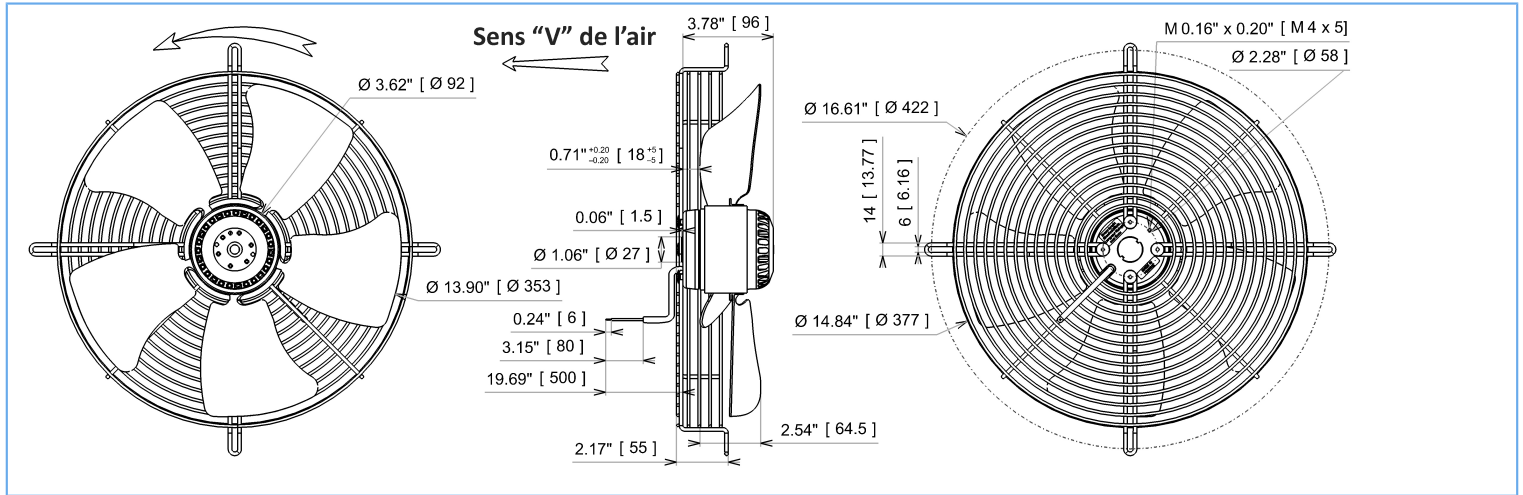
NA : not applicable

ErP 2013

NA

ErP 2015

NA

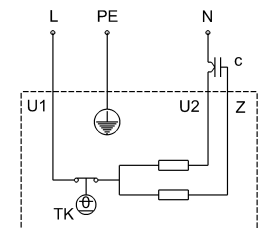


Tested with ECOFIT ring

Description

- .Weight : 4,3 Kg
- .Ball bearing
- .Class F, thermally protected
- .IP44 protection depending on installation and position as per EN60034-5
- .G6.3 balancing
- .Zinc coated impeller
- .Rotor and impeller : black paint
- .Basket finger guard : black paint
- .Motor - UL Recognized component

U1 = Blue
 U2 = Black
 Z = Brown
 PE = Green/Yellow



Non contractual document. All specifications are subject to change without prior notice. Picture for information only.



4VPRu45 350V

T05-A8 p



DATA SHEET

release. a - Revision 04-2019

Data in accordance to ErP directive

Voltage	230	V
Frequency	50	Hz
Power	0,113	kW ⁽¹⁾
Airflow	1511	m ³ /h ⁽¹⁾
Pressure	50	Pa ⁽¹⁾
Rotation speed	1115	RPM ⁽¹⁾

(1) at optimal efficiency point

ErP directive (EU 2009/125/EC) not applicable :
Power at optimum energy efficiency point

Accessories

- 19232
- 19232
- 39658
- 09172

Measurement setup

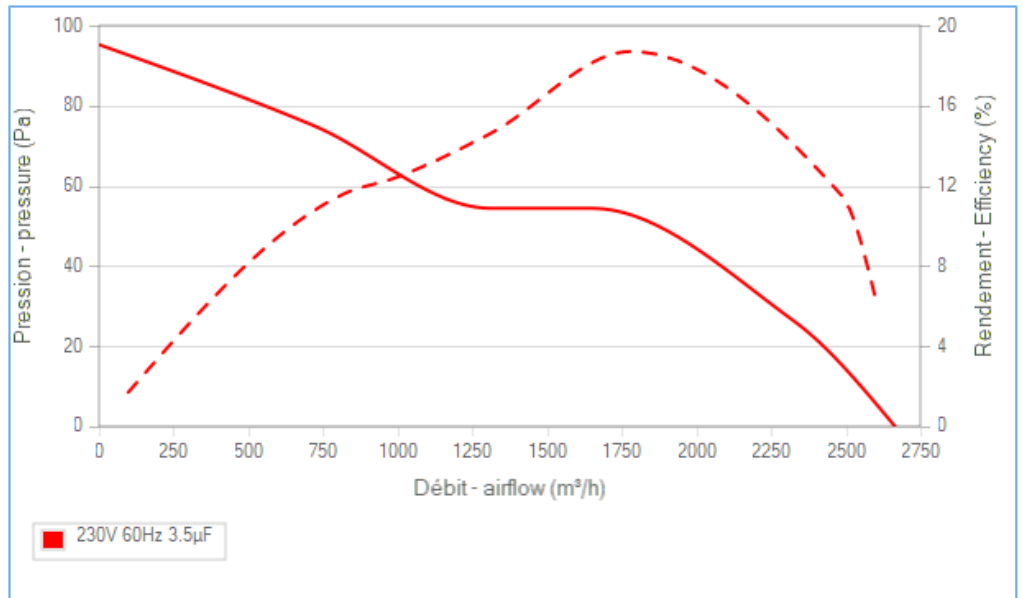
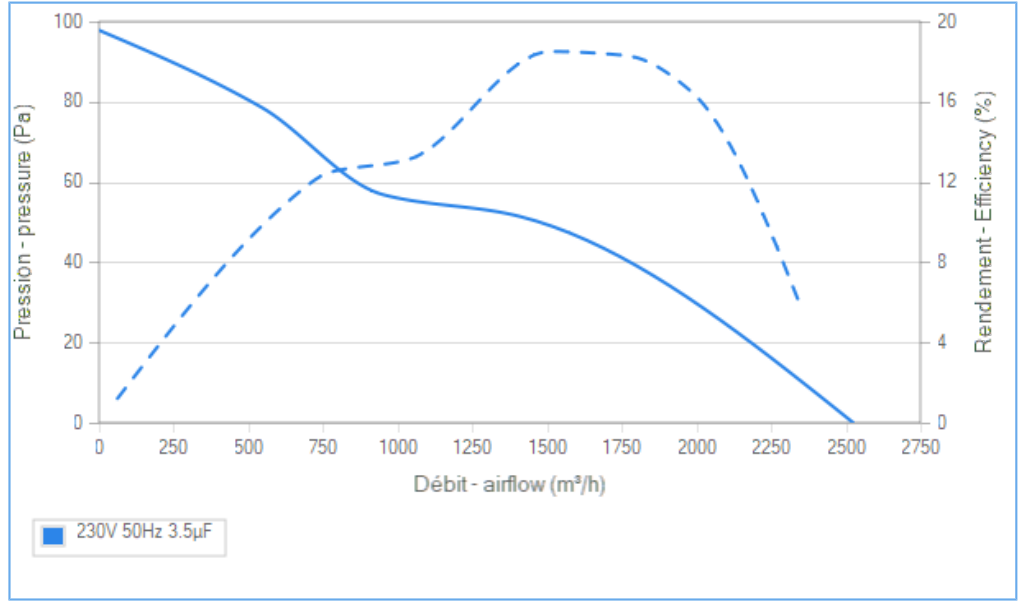
16087 VIROLE V350 RONDE

Documents

- Manuel d'utilisation
www.ecofit.com/site/normes
- Operating and recycling manual
www.ecofit.com/anglais/normes



UL2111 (XEW2,8)
N° file E135223
4RS945



Non contractual document. All specifications are subject to change without prior notice. Picture for information only.