



4VGVu35 300A

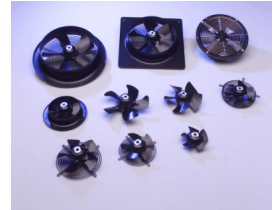
K19-A5 p



DATA SHEET

release. b - Revision 04-2017

Voltage	Frequency	Input Power	Input Current	Capacitor	Airflow	Rotation speed	Acoustic level	Direction rotation	Admissible Temperature
V	Hz	W	A	µF	m³/h	RPM	dBA	↻	Min/Max
230	50	94	0,41	3,0	1865	1310	56	R	-40°C / +50°C
230	60	97	0,45	2,5	1945	1475	59	R	-40°C / +70°C
230	50				1097 CFM				-40°F / 122°F
230	60				1144 CFM				-40°F / 158°F



dBa : free blowing

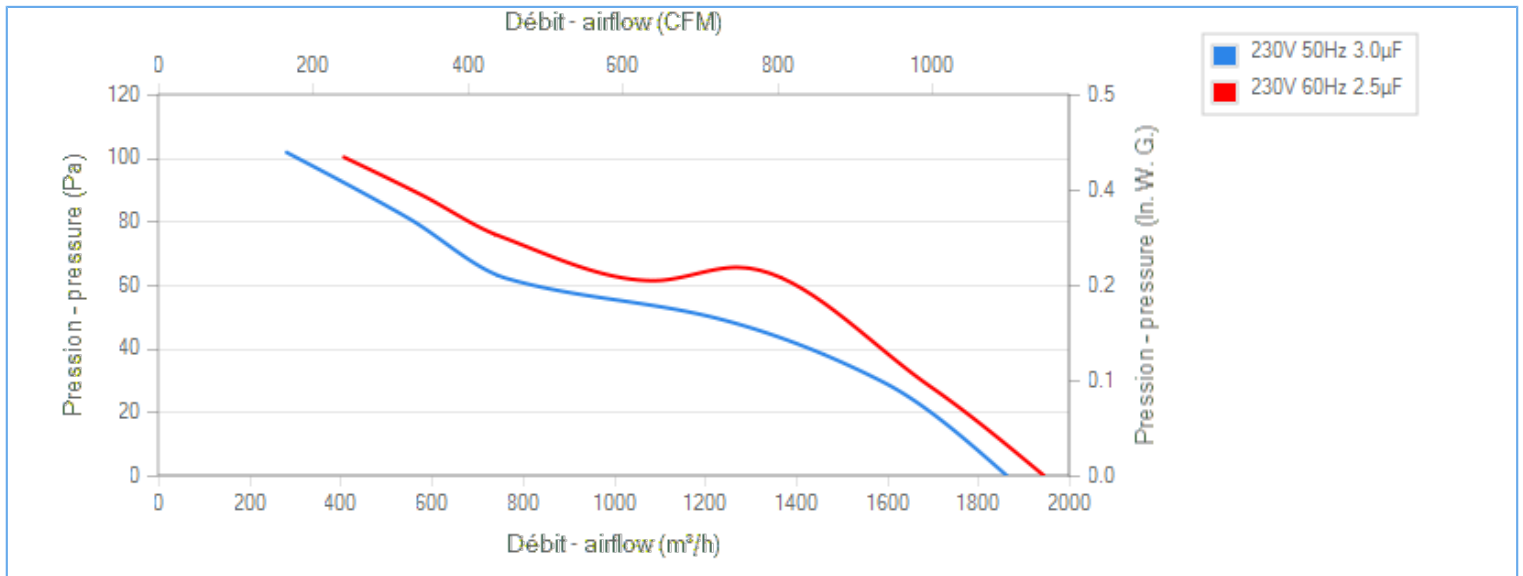
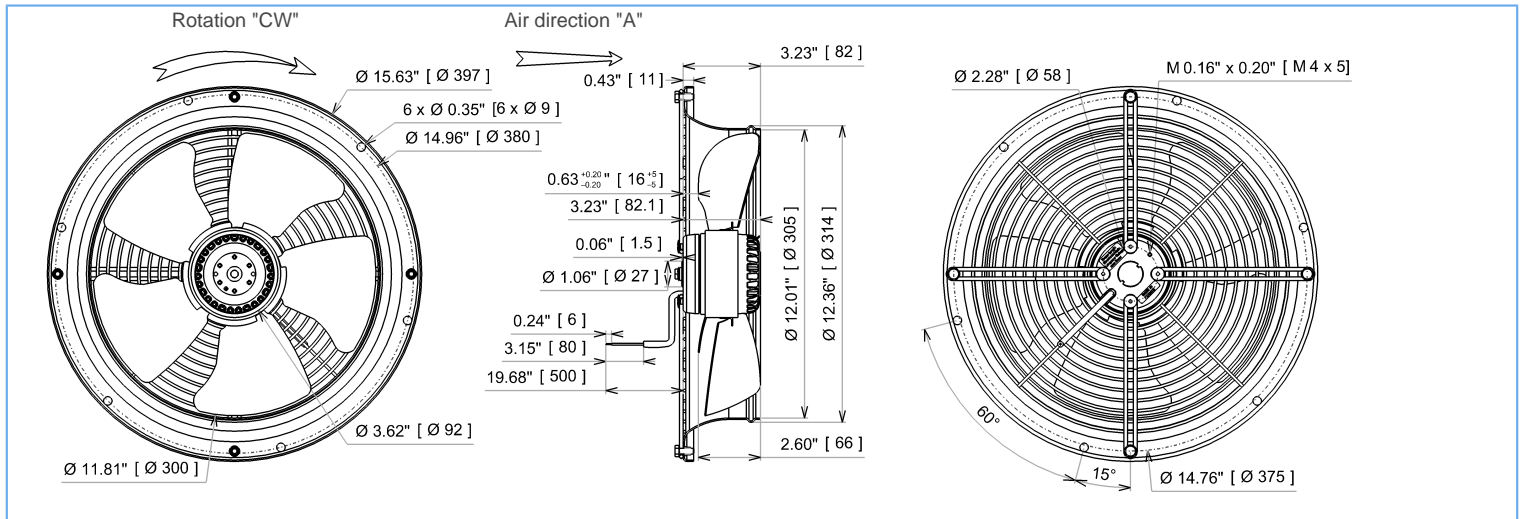
NA : not applicable

ErP 2013

NA

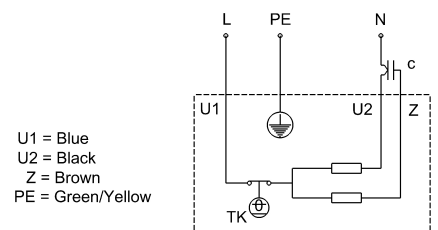
ErP 2015

NA



Description

- .Weight : 4,5 Kg
- .Insulation Class F
- .Class F, thermally protected
- .IP44 protection depending on installation and position as per EN60034-5
- .G6.3 balancing
- .Zinc coated impeller
- .Rotor and impeller : black paint
- .Finger guard and ring : black paint





4VGVu35 300A

K19-A5 p



DATA SHEET

release. b - Revision 04-2017

Data in accordance to ErP directive

Voltage	230	V
Frequency	50	Hz
Power	0,099	kW ⁽¹⁾
Airflow	1226	m ³ /h ⁽¹⁾
Pressure	50	Pa ⁽¹⁾
Rotation speed	1265	RPM ⁽¹⁾

(1) at optimal efficiency point

ErP directive (EU 2009/125/EC) not applicable :
Power at optimum energy efficiency point

Accessories

- 19219
- 19218
- 39658
- 09172

Measurement setup

16086 VIROLE V300 RONDE

Documents

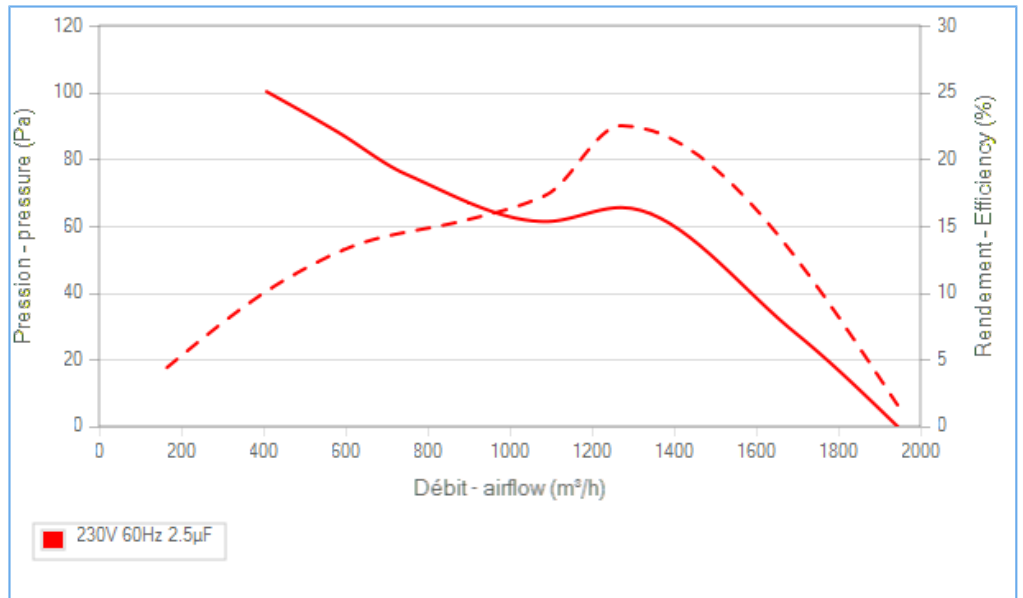
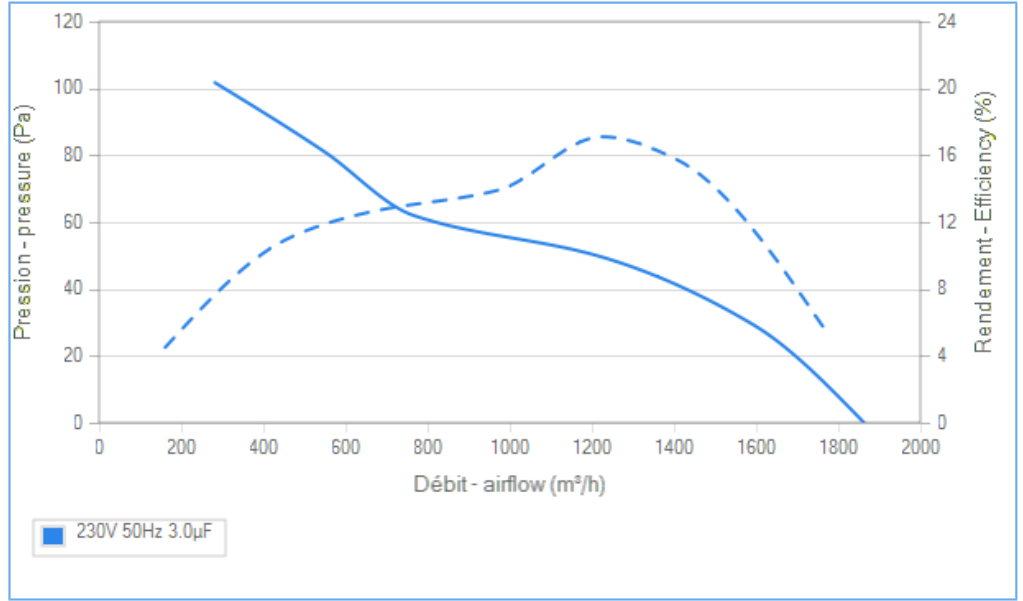
- Manuel d'utilisation
www.ecofit.com/site/normes
- Operating and recycling manual
www.ecofit.com/anglais/normes



UL2111 (XEW2,8)
N° file E135223
4RS935



A041865
4RS935CN



Non contractual document. All specifications are subject to change without prior notice. Picture for information only.