



4TREu35 180x75R (115V) C48-B4 p



DATA SHEET

release. c - Revision 08-2018

Voltage	Frequency	Input Power	Input Current	Capacitor	Airflow	Rotation speed	Acoustic level	Direction rotation	Admissible Temperature
V	Hz	W	A	μF	m ³ /h	RPM	dBA	↻	Min/Max
115	50	101	0,91	12,0	555	1050	54	R	-40°C / +70°C
115	60	115	1,01	12,0	600	1120	54	R	-40°C / +70°C
115	50				326 CFM				-40°F / 158°F
115	60				353 CFM				-40°F / 158°F



dBA : free blowing

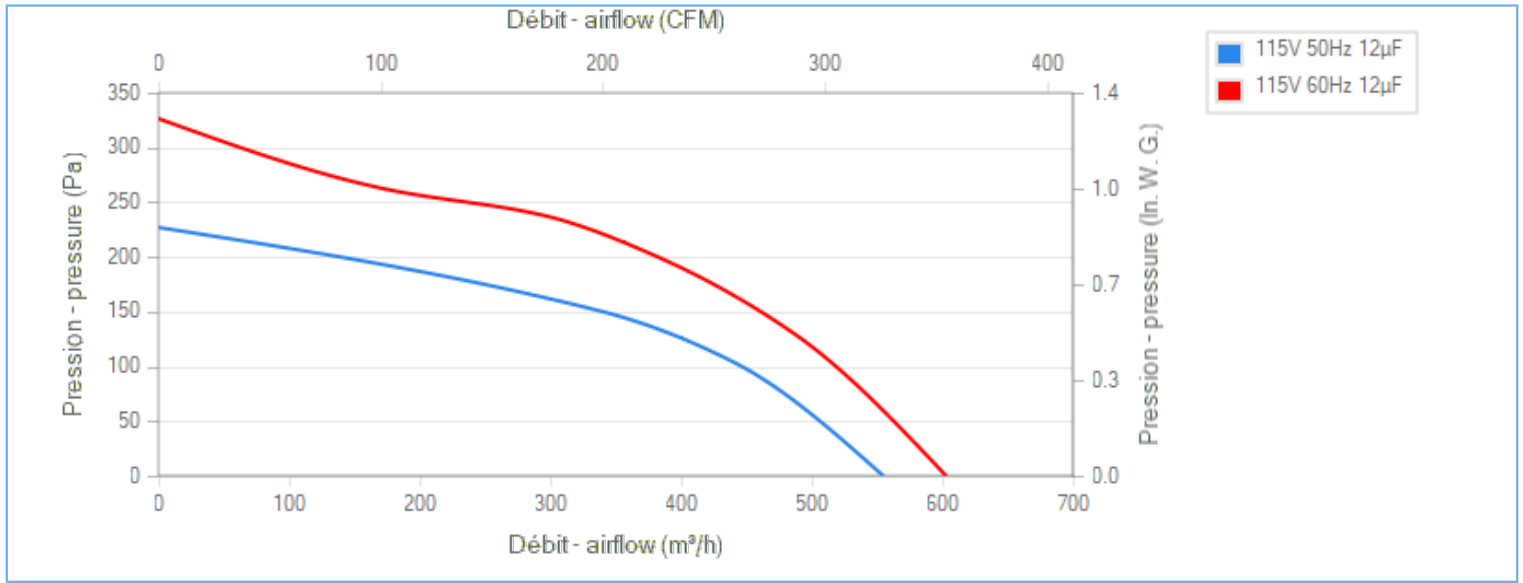
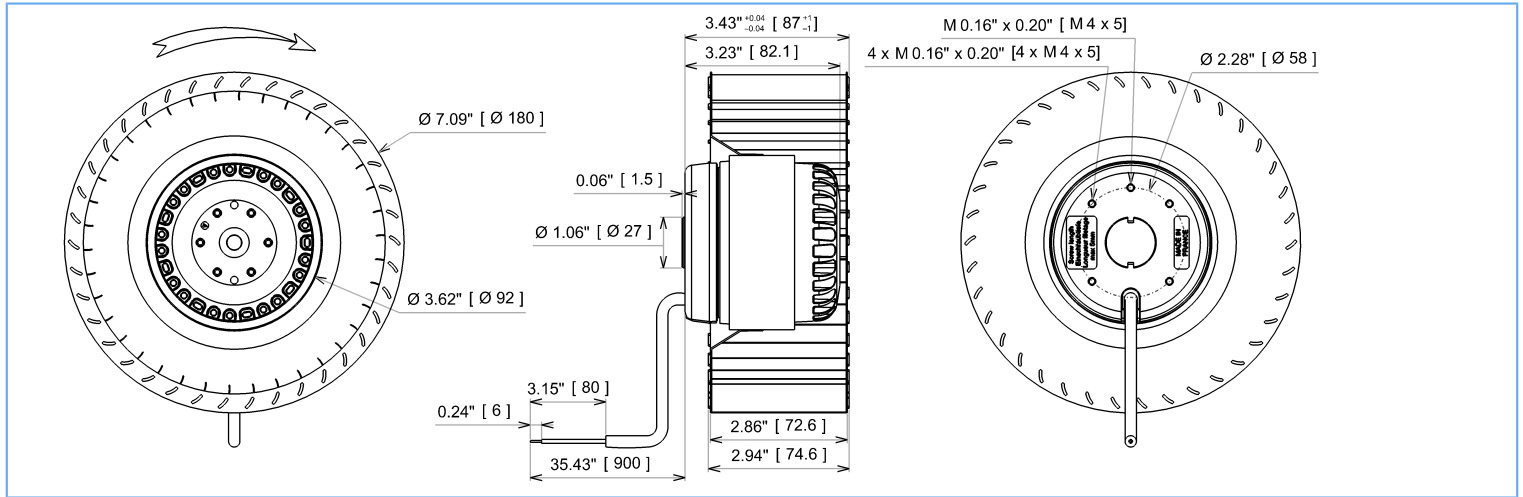
NA : not applicable

ErP 2013

NA

ErP 2015

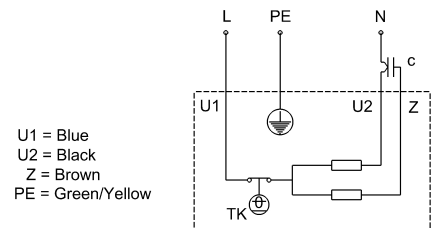
NA



Tested with ECOFIT housing

Description

- .Weight : 2,1 Kg
- .Ball bearing
- .Class F, thermally protected
- .IP44 protection depending on installation and position as per EN60034-5
- .G2.5 balancing
- .Galvanized steel impeller
- .Rotor : black paint
- .Motor - UL Recognized component





4TREu35 180x75R (115V) C48-B4 p



DATA SHEET

release. c - Revision 08-2018

Data in accordance to ErP directive

Voltage	115	V
Frequency	50	Hz
Power	0,082	kW ⁽¹⁾
Airflow	338	m ³ /h ⁽¹⁾
Pressure	151	Pa ⁽¹⁾
Rotation speed	1251	RPM ⁽¹⁾
(1) at optimal efficiency point		

ErP directive (EU 2009/125/EC) not applicable :
Power at optimum energy efficiency point

Accessories

- 19237
- 19237
- 21194
- 16133

Measurement setup

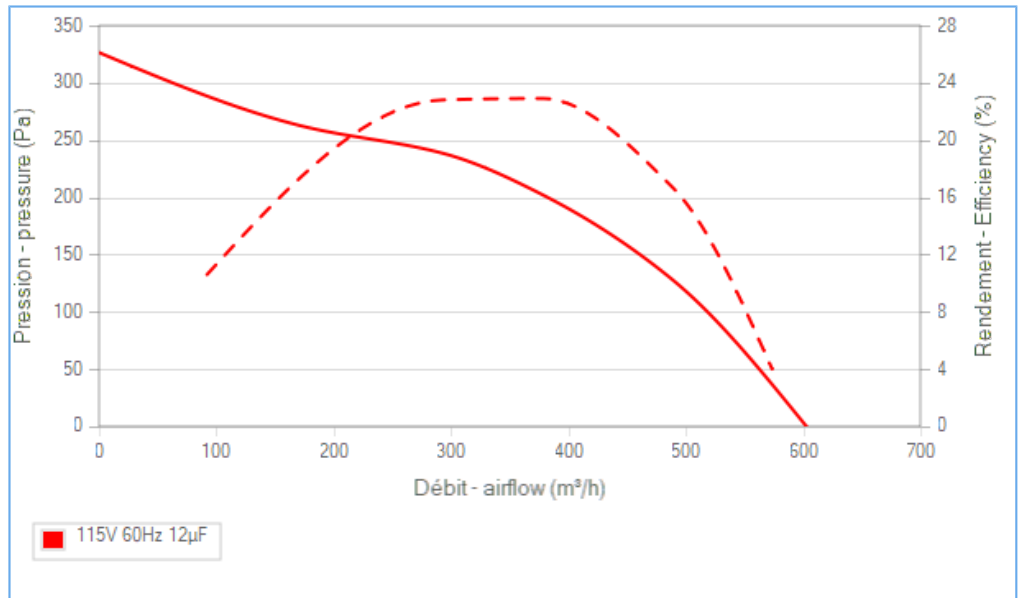
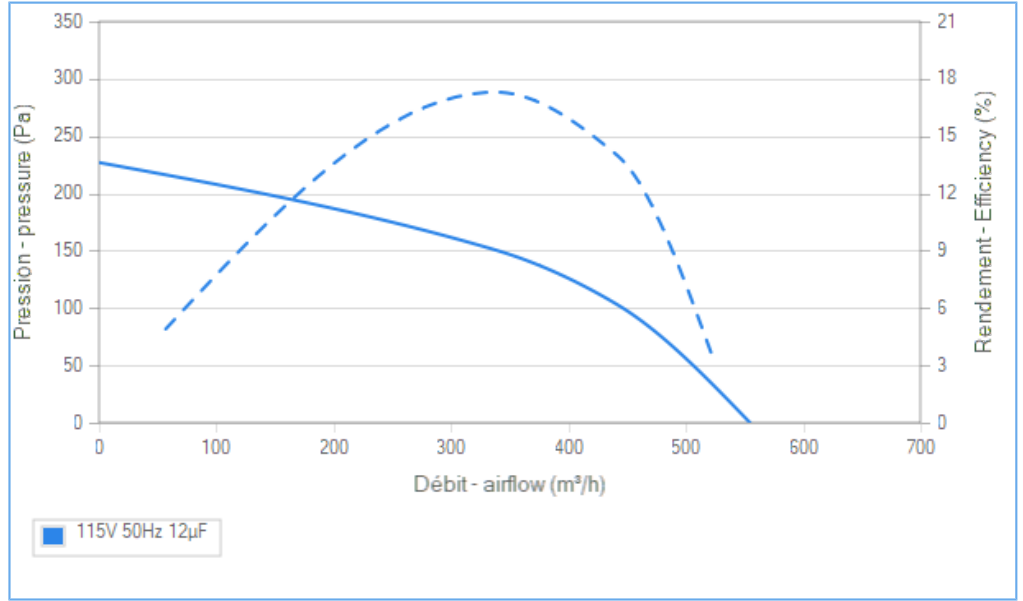
Contact ECOFIT

Documents

- Manuel d'utilisation
www.ecofit.com/site/normes
- Operating and recycling manual
www.ecofit.com/anglais/normes



UL2111 (XEWR2,8)
N° file E135223
4RS935



Non contractual document. All specifications are subject to change without prior notice. Picture for information only.