



4TGS45 100x1030R

T10-21 p



**DATA SHEET**

release. d - Revision 11-2016

Voltage	Frequency	Input Power	Input Current	Capacitor	Airflow	Rotation speed	Acoustic level	Direction rotation	Admissible Temperature
V	Hz	W	A	µF	m³/h	RPM	dBA	↻	Min/Max
230	50	89	0,44	2,5	1300	1240	54	R	-20°C / +70°C
230	60	108	0,48	2,5	1435	1355	56	R	-20°C / +70°C
230	50				765 CFM				-4°F / 158°F
230	60				844 CFM				-4°F / 158°F



dBA : free blowing

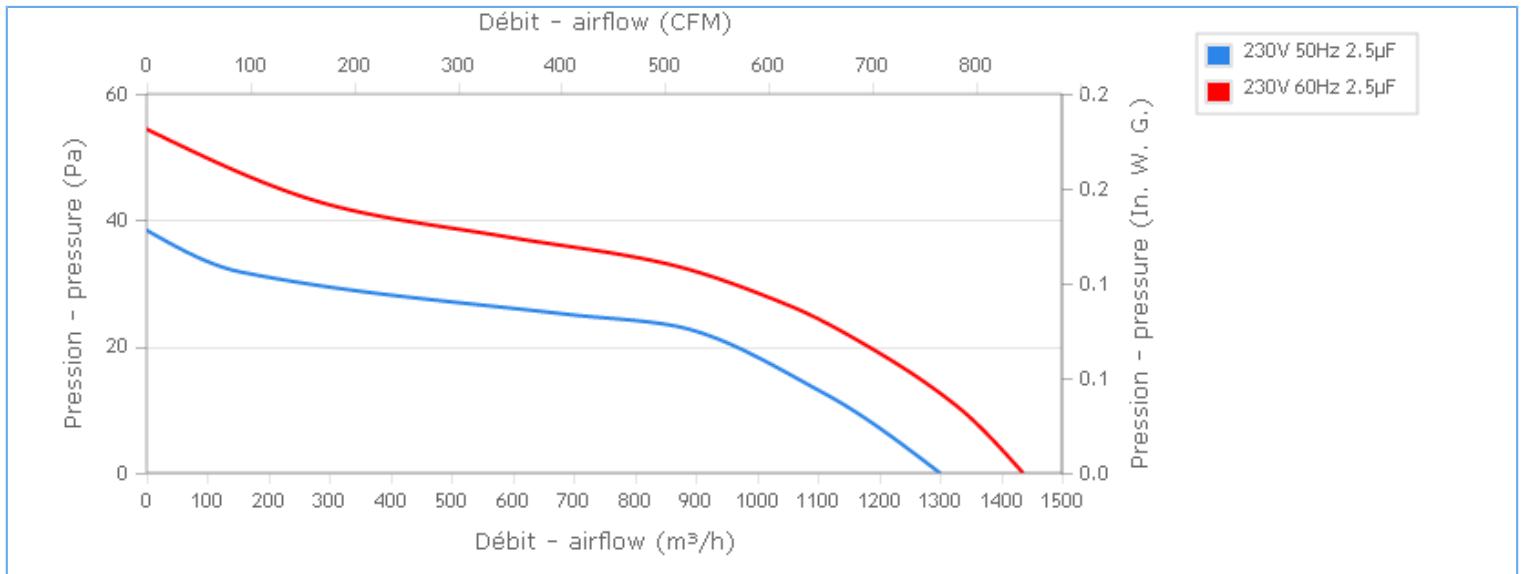
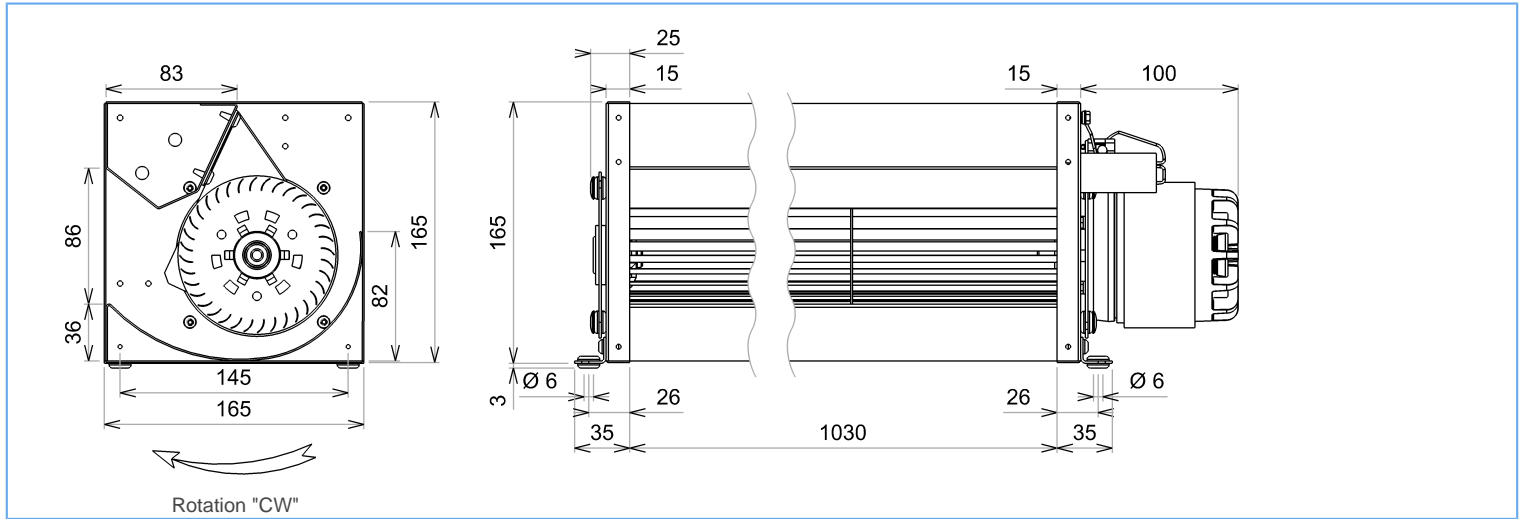
NA : not applicable

ErP 2013

NA

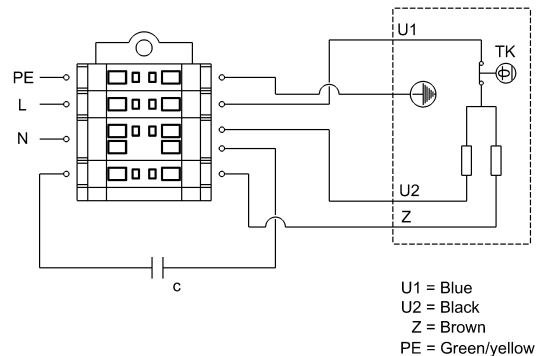
ErP 2015

NA



**Description**

- .Weight : 8,0 Kg
- .Ball bearing
- .Class F, thermally protected
- .IP20 Protection depending on installation and position as per EN60034-5
- .G2.5 balancing
- .Zinc coated steel scroll housing
- .Aluminium impeller
- .Capacitor fixed on the scroll and wired to a WAGO Connector



U1 = Blue  
U2 = Black  
Z = Brown  
PE = Green/yellow

Non contractual document. All specifications are subject to change without prior notice. Picture for information only.



# DATA SHEET

release. d - Revision 11-2016

## Data in accordance to ErP directive

Voltage	230	V
Frequency	50	Hz
Power	0,073	kW <sup>(1)</sup>
Airflow	858	m <sup>3</sup> /h <sup>(1)</sup>
Pressure	23	Pa <sup>(1)</sup>
Rotation speed	1338	RPM <sup>(1)</sup>

(1) at optimal efficiency point

ErP directive (EU 2009/125/EC) not applicable :  
Power at optimum energy efficiency point

## Accessories

- 
- 
- 

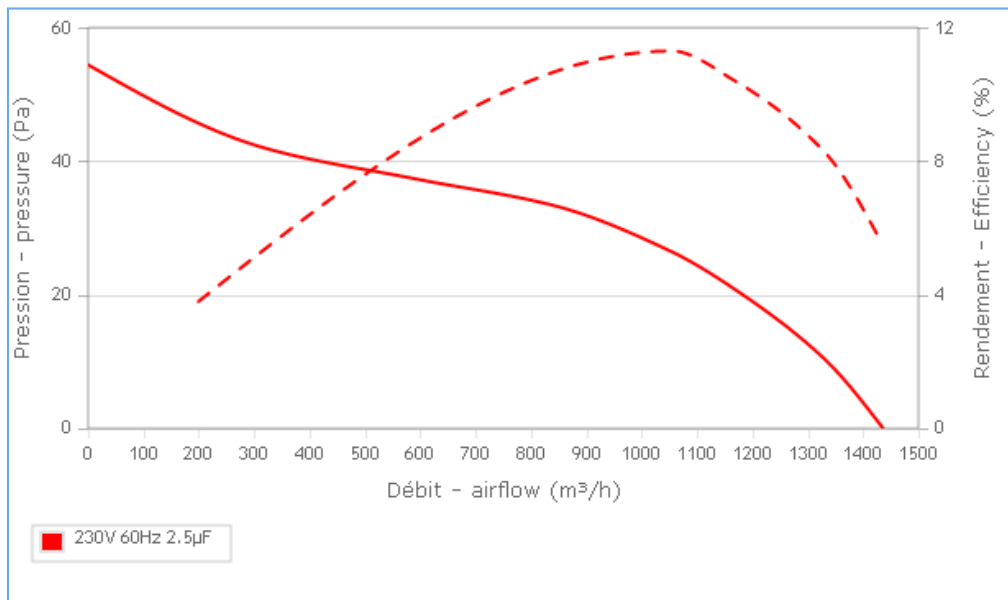
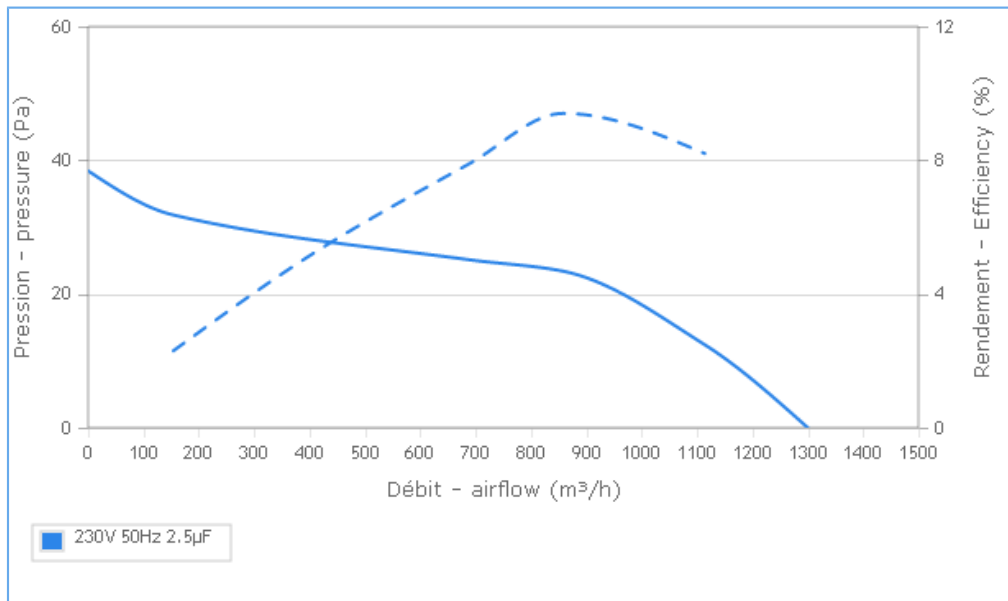
## Measurement setup

Contact ECOFIT

## Documents

Manuel d'utilisation  
[www.ecofit.com/site/normes](http://www.ecofit.com/site/normes)

Operating and recycling manual  
[www.ecofit.com/anglais/normes](http://www.ecofit.com/anglais/normes)



Non contractual document. All specifications are subject to change without prior notice. Picture for information only.