



4TGL35 133x400R

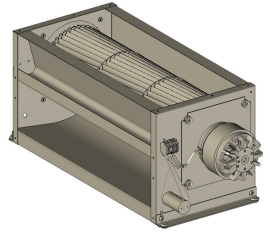
Z21-36 p



**DATA SHEET**

release. c - Revision 09-2017

Voltage	Frequency	Input Power	Input Current	Capacitor	Airflow	Rotation speed	Acoustic level	Direction rotation	Admissible Temperature
V	Hz	W	A	µF	m³/h	RPM	dBA	↻	Min/Max
230	50	114	0,5	2,5	960	650	54	R	-20°C / +70°C
230	60	123	0,54	2,5	950	775	54	R	-20°C / +60°C
230	50				565 CFM				-4°F / 158°F
230	60				559 CFM				-4°F / 140°F



dBA : free blowing

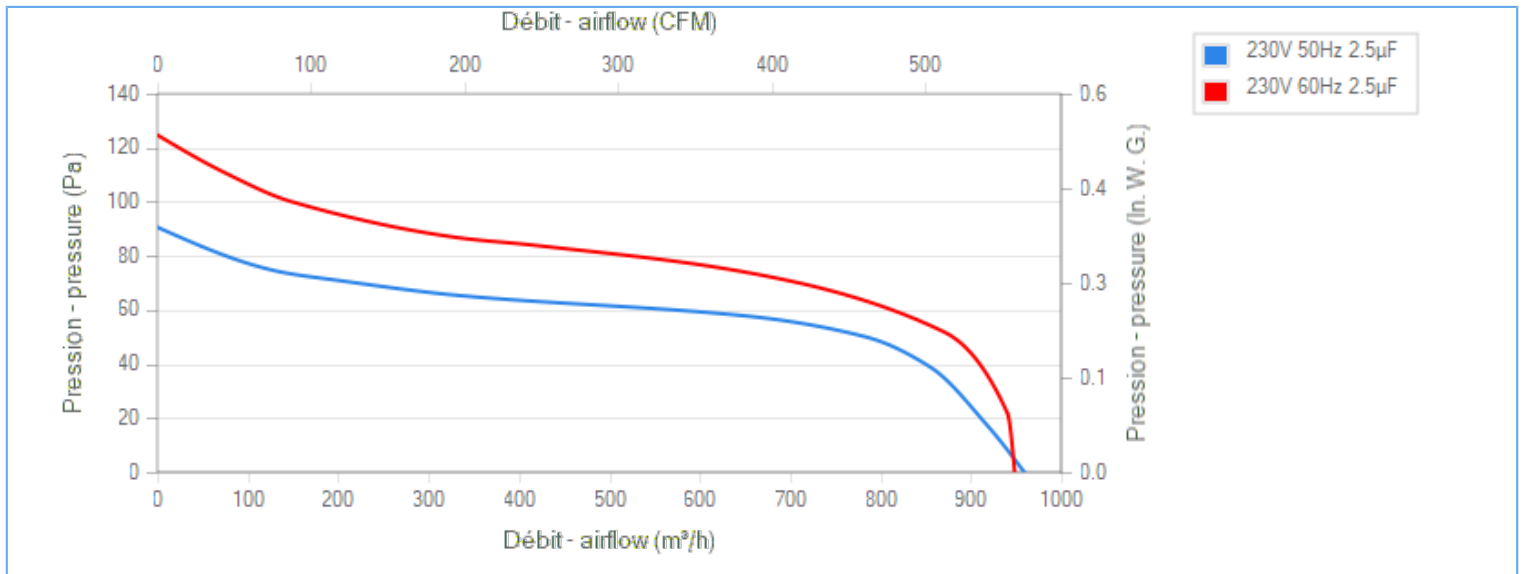
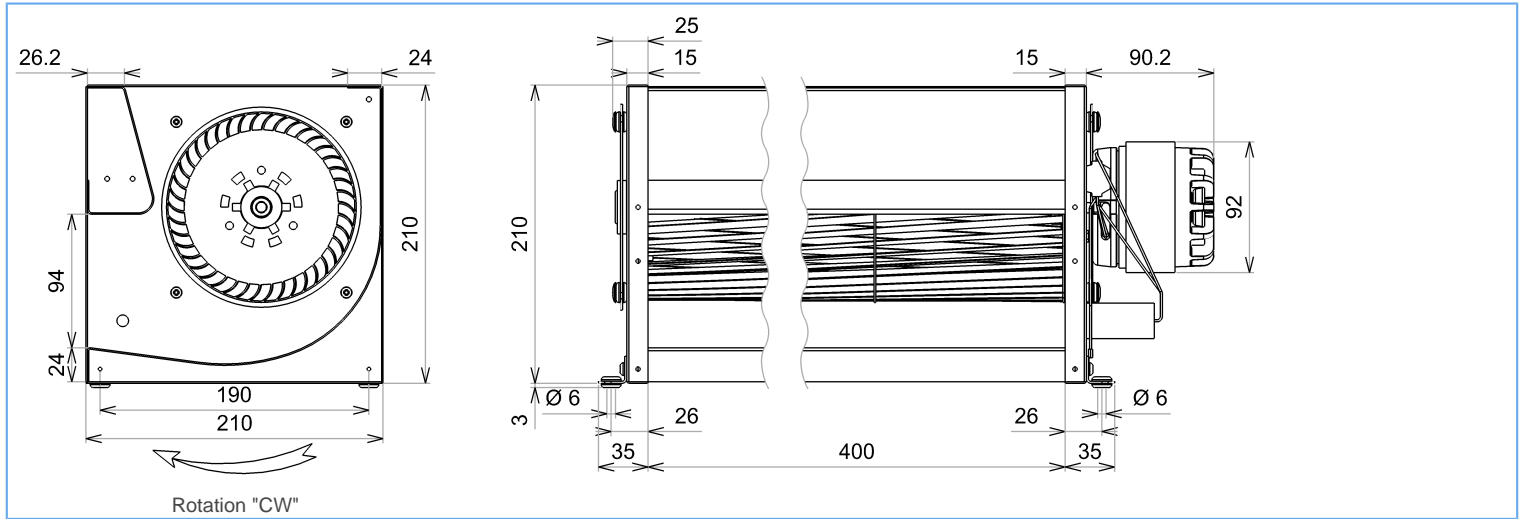
NA : not applicable

ErP 2013

NA

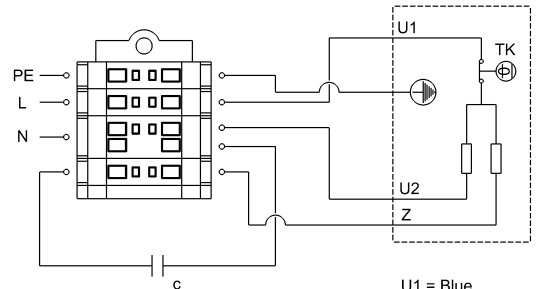
ErP 2015

NA



**Description**

- .Weight : 6,0 Kg
- .Ball bearing
- .Class F, thermally protected
- .IP20 Protection depending on installation and position as per EN60034-5
- .G2.5 balancing
- .Zinc coated steel scroll housing
- .Aluminium impeller
- .Capacitor fixed on the scroll and wired to a WAGO Connector



U1 = Blue  
 U2 = Black  
 Z = Brown  
 PE = Green/yellow

Non contractual document. All specifications are subject to change without prior notice. Picture for information only.



4TGL35 133x400R

Z21-36 p



# DATA SHEET

release. c - Revision 09-2017

## Data in accordance to ErP directive

Voltage	230	V
Frequency	50	Hz
Power	0,091	kW <sup>(1)</sup>
Airflow	783	m <sup>3</sup> /h <sup>(1)</sup>
Pressure	50	Pa <sup>(1)</sup>
Rotation speed	1124	RPM <sup>(1)</sup>

(1) at optimal efficiency point

ErP directive (EU 2009/125/EC) not applicable :  
Power at optimum energy efficiency point

## Accessories

- 
- 
- 

## Measurement setup

Contact ECOFIT

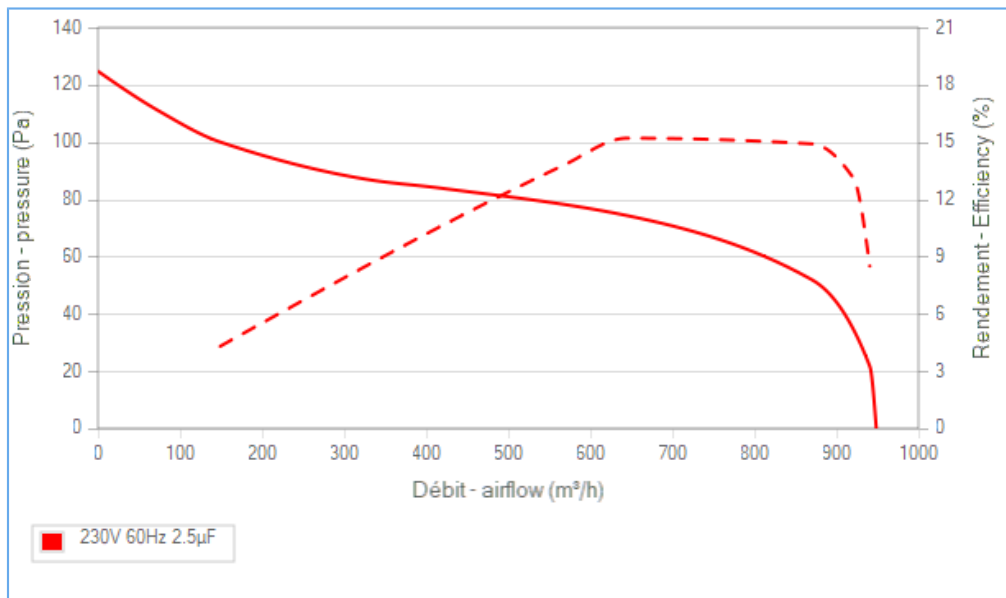
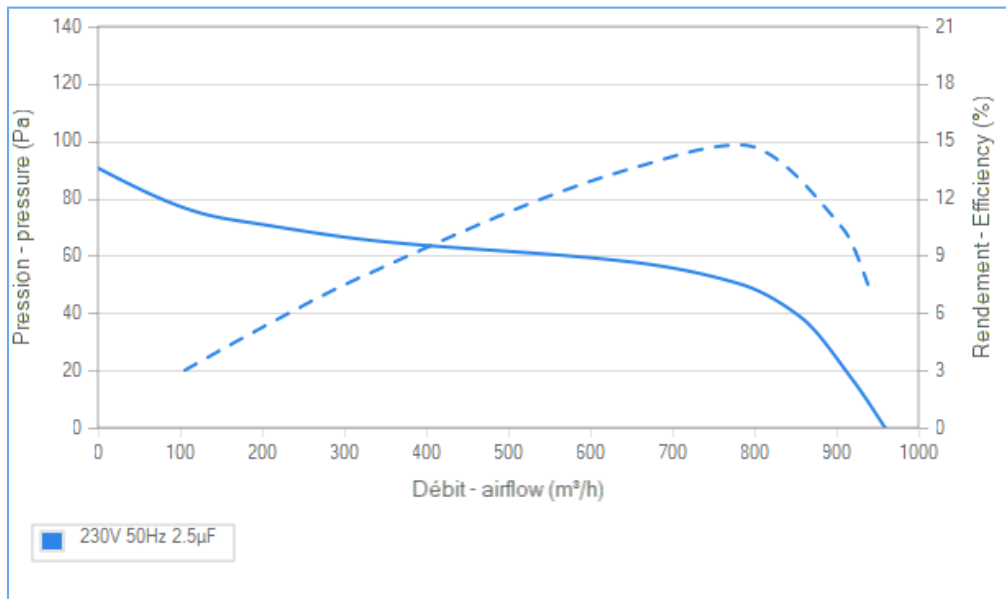
## Documents

Manuel d'utilisation  
[www.ecofit.com/site/normes](http://www.ecofit.com/site/normes)

Operating and recycling manual  
[www.ecofit.com/anglais/normes](http://www.ecofit.com/anglais/normes)



A041865  
4RS935CN



Non contractual document. All specifications are subject to change without prior notice. Picture for information only.