



4TGL35 100x600R

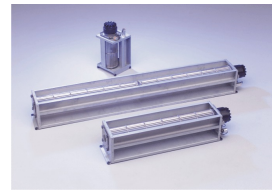
T10-20 p



DATA SHEET

release. c - Revision 11-2016

Voltage	Frequency	Input Power	Input Current	Capacitor	Airflow	Rotation speed	Acoustic level	Direction rotation	Admissible Temperature
V	Hz	W	A	µF	m³/h	RPM	dBA	↻	Min/Max
230	50	98	0,45	2,5	1140	1040	58	R	-20°C / +70°C
230	60	108	0,5	2,5	1180	1100	58	R	-20°C / +70°C
230	50				671 CFM				-4°F / 158°F
230	60				694 CFM				-4°F / 158°F



dBA : free blowing

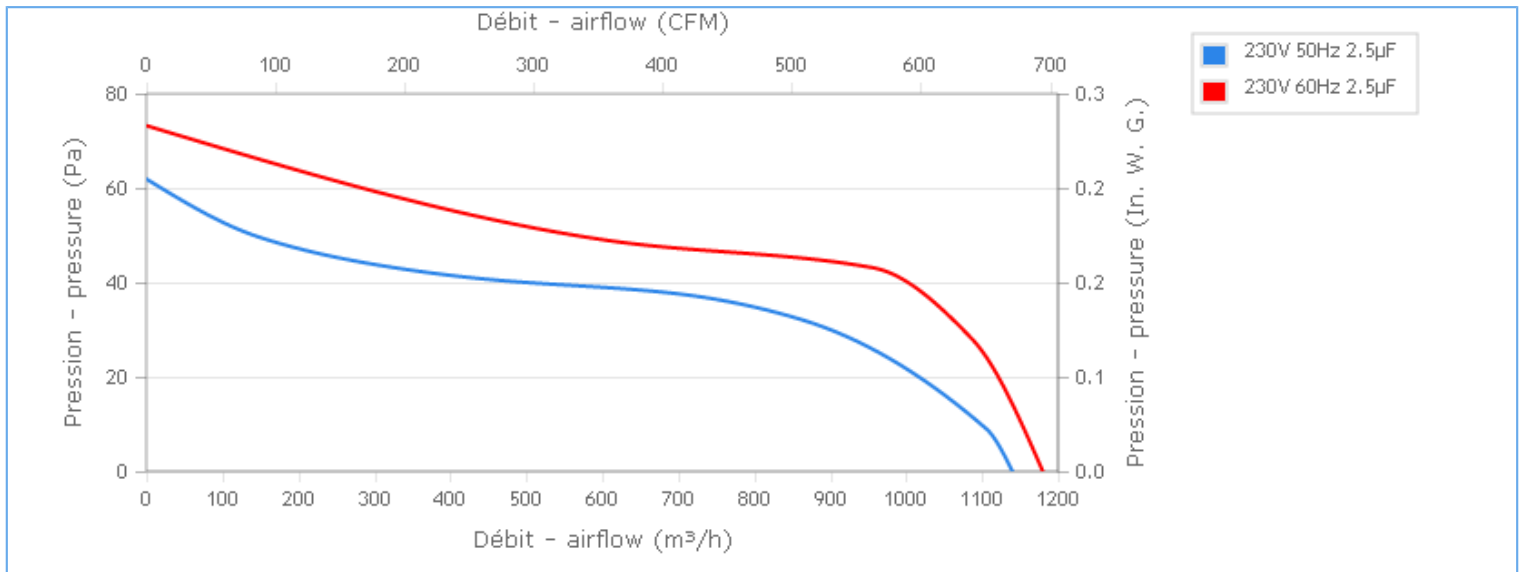
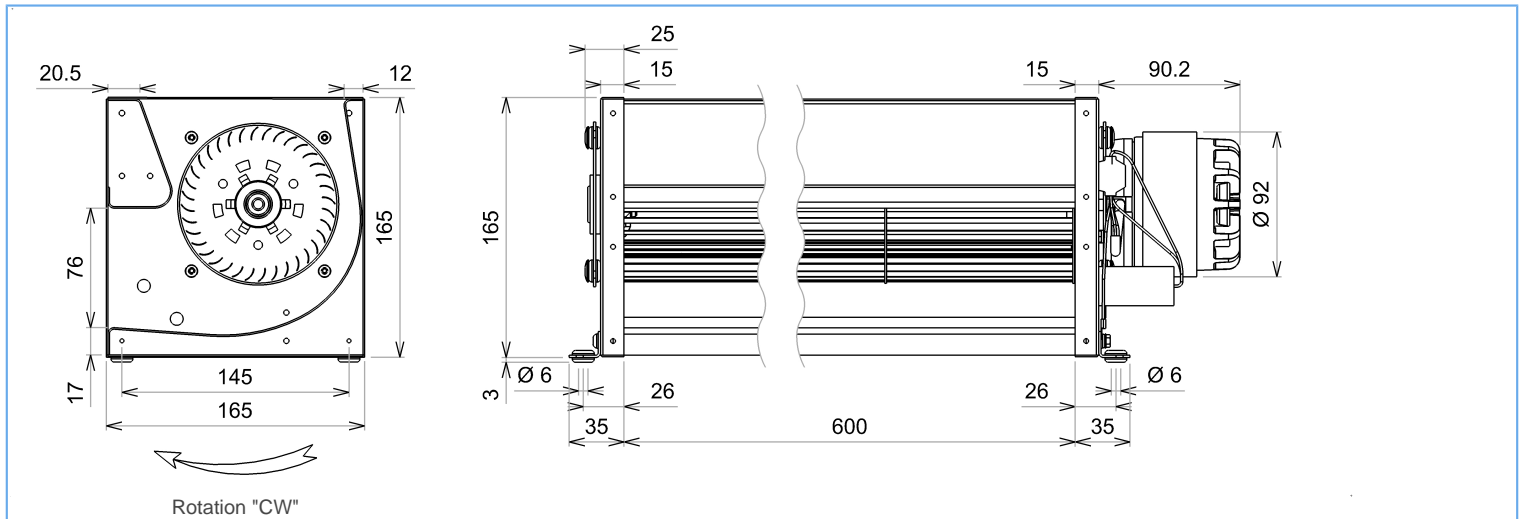
NA : not applicable

ErP 2013

NA

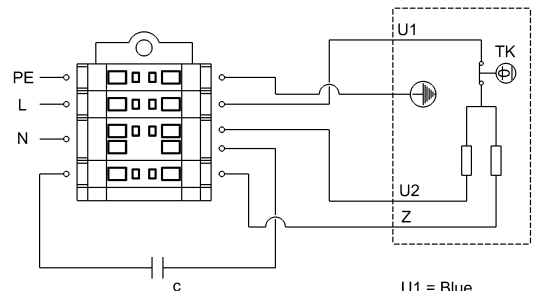
ErP 2015

NA



Description

- .Weight : 5,9 Kg
- .Ball bearing
- .Class F, thermally protected
- .IP20 Protection depending on installation and position as per EN60034-5
- .G2.5 balancing
- .Zinc coated steel scroll housing
- .Aluminium impeller
- .Capacitor fixed on the scroll and wired to a WAGO Connector



U1 = Blue
U2 = Black
Z = Brown
PE = Green/yellow



4TGL35 100x600R

T10-20 p



DATA SHEET

release. c - Revision 11-2016

Data in accordance to ErP directive

Voltage	230	V
Frequency	50	Hz
Power	0,076	kW ⁽¹⁾
Airflow	693	m ³ /h ⁽¹⁾
Pressure	38	Pa ⁽¹⁾
Rotation speed	1317	RPM ⁽¹⁾

(1) at optimal efficiency point

ErP directive (EU 2009/125/EC) not applicable :
Power at optimum energy efficiency point

Accessories

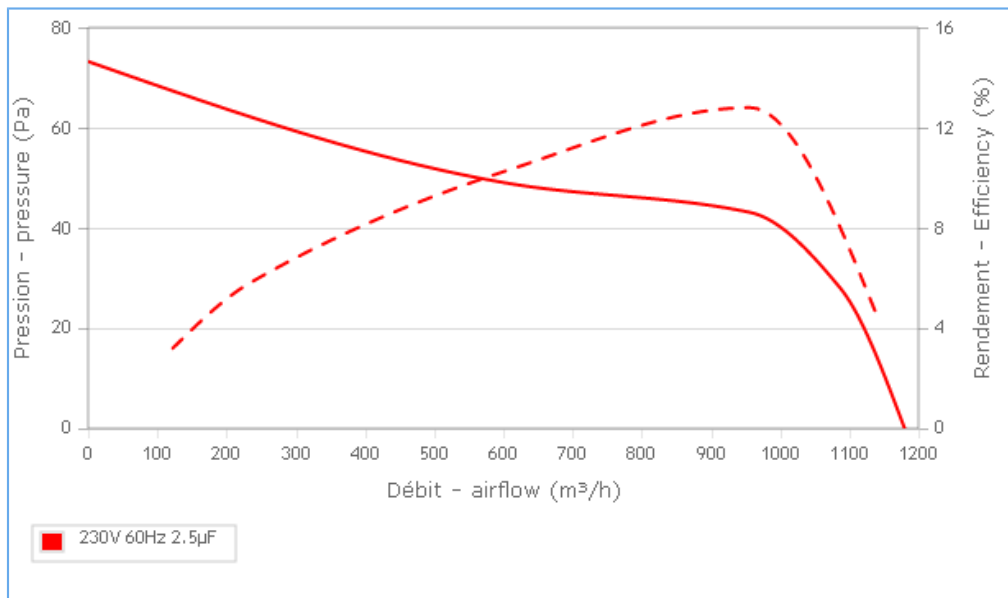
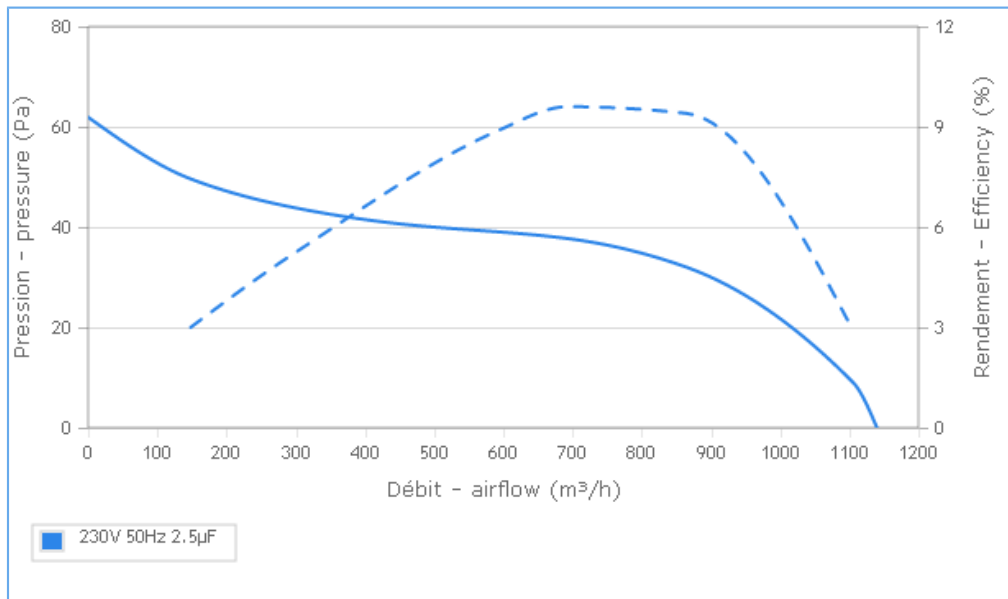
-
-
-

Measurement setup

Contact ECOFIT

Documents

- Manuel d'utilisation
www.ecofit.com/site/normes
- Operating and recycling manual
www.ecofit.com/anglais/normes



Non contractual document. All specifications are subject to change without prior notice. Picture for information only.