

Technical data sheet

Revision e
Revision 09/2022



by



Model
B11-A8 p

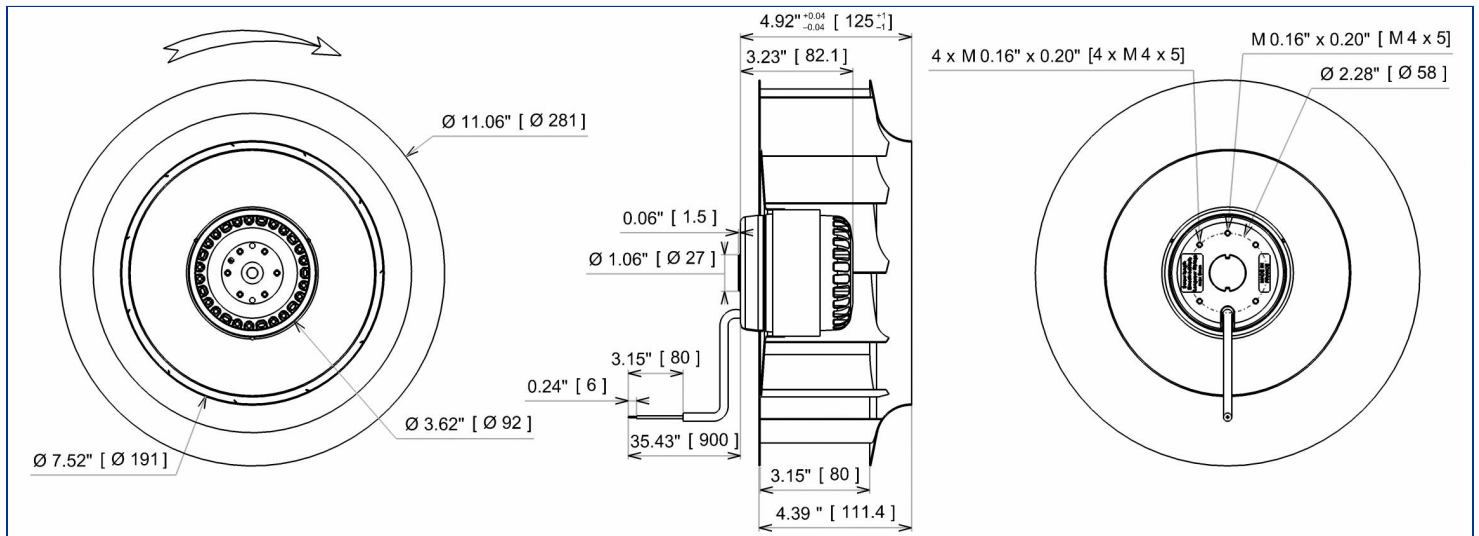


Designation **4RREu35 280x80R (115V)**

Range Backward curved centrifugal fans with single phase asynchronous motor

ELECTRICAL DATA

Speed		
Tension (V)	115	115
Frequency (Hz)	50	60
Current (A)	0.87	0.82
Maximum current (A)	1.06	1.14
Power (W)	86	94
Maximum power (W)	100	117
Rotation (RPM)	1355	1570
Cos Φ	0.860	0.997
Temperature min/max (°C)	-40/+50	-40/+70
Capacitor (µF)	10.00	10.00
U_condo (V)	250	250



MARKING & STANDARDS

Conformity

- CE
- UKCA
- UL 4RS935 2111 REC92 MonoPhase (XEW2,8)
File number E135223



The product is manufactured in accordance with EN 60335-1, UL2111, and RoHS directive 2015/863/CE
IP class according to EN 60034-5 to be checked with operation and installation

Issued: 2022-09-27 at 08:06 Documentations and pictures are non contractual, all the data of the technical file and the drawing are subject to change.

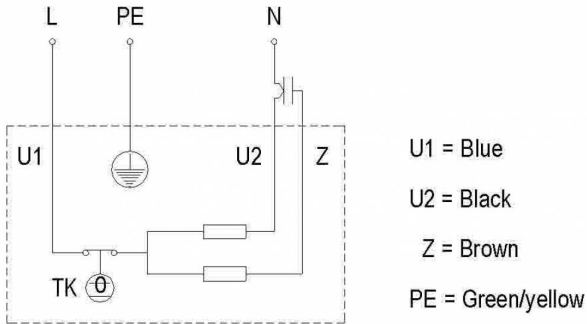
EN - Page 1 / 4

TECHNICAL DATA

Description

- Weight: 2.90 kg
- With Condensat Drain Holes
- Class F
- Protection level: 44 | Protection against ingress of solid with diameter ≥ 1 mm / Protection against ingress of water : splashing
- Motor's protection T150° C UL Automatic reset
- Bearing type: 2 ball bearings 608ZZ
- Balance level: G2.5

Wiring diagram



Finishes

- Rotor : black paint
- Galvanized steel impeller
- Motor - UL Recognized component

The product is manufactured in accordance with EN 60335-1, UL2111, and RoHS directive 2015/863/CE
IP class according to EN 60034-5 to be checked with operation and installation

Issued: 2022-09-27 at 08:06 Documentations and pictures are non contractual, all the data of the technical file and the drawing are subject to change.

EN - Page 2 / 4



by



ADDITIONAL DATA

Accessories

- 19-5 | capacitor
- 16168 | Inlet cone

Documentations

- Operating and recycling manual
<http://www.ecofit.com/anglais/normes>

Measurement setup

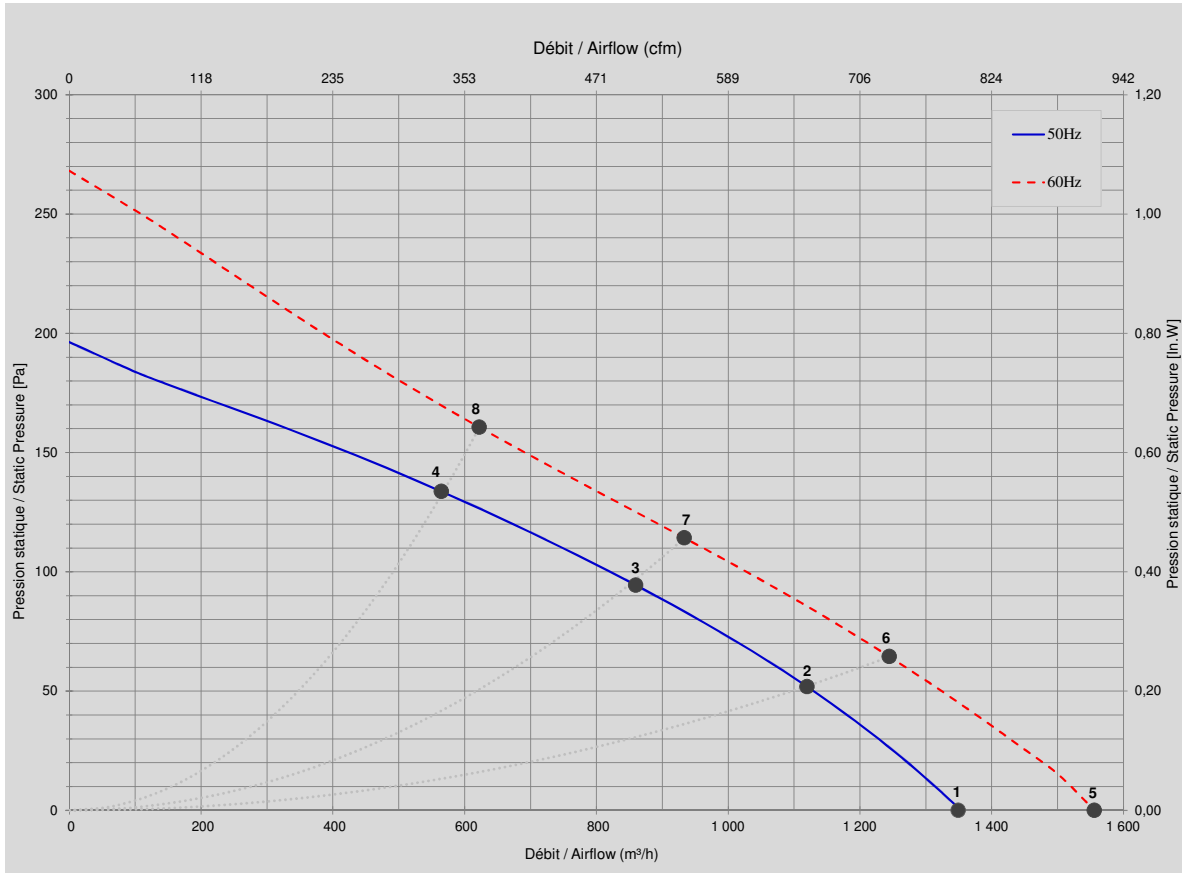
- Ouie O_A182 Ouie ACE 182

ERP DATA

ErP Directive ErP (EU 2009/125/EC) not applicable:

- Power at optimum energy efficiency point <125W

TECHNICAL DATA



Mesures / Measured Values *

	Un (V)	F (Hz)	C (µF)	P (W)	n (RPM)	Q (m³/h)	P (Pa)	Q (cfm)	P (In.W)	Lp _m (dBA)
1	115	50	10	86	1355	1 349	0	794	0,000	59,0
2	115	50	10	93	1308	1 120	52	659	0,208	56,0
3	115	50	10	99	1258	860	94	506	0,378	54,0
4	115	50	10	98	1265	565	134	333	0,536	54,0
5	115	60	10	94	1570	1 556	0	916	0,000	63,0
6	115	60	10	107	1476	1 245	64	733	0,258	59,0
7	115	60	10	117	1362	934	114	550	0,458	55,0
8	115	60	10	115	1380	622	161	366	0,643	56,0

* Air performance measured according to: ISO 5801, installation category C.
Intake-side sound level: according to ISO 3744, LpA measured at 1 m distance from fan axis. The values given are only applicable under the specified measuring conditions and may differ depending on the installation conditions. In the event of deviation

The product is manufactured in accordance with EN 60335-1, UL2111, and RoHS directive 2015/863/CE
IP class according to EN 60034-5 to be checked with operation and installation