

Technical data sheet

Revision e
Revision 03/2023

ECOFIT

by

rosenberg
THE AIR MOVEMENT GROUP
VENDOME

Model
C25-A2 p

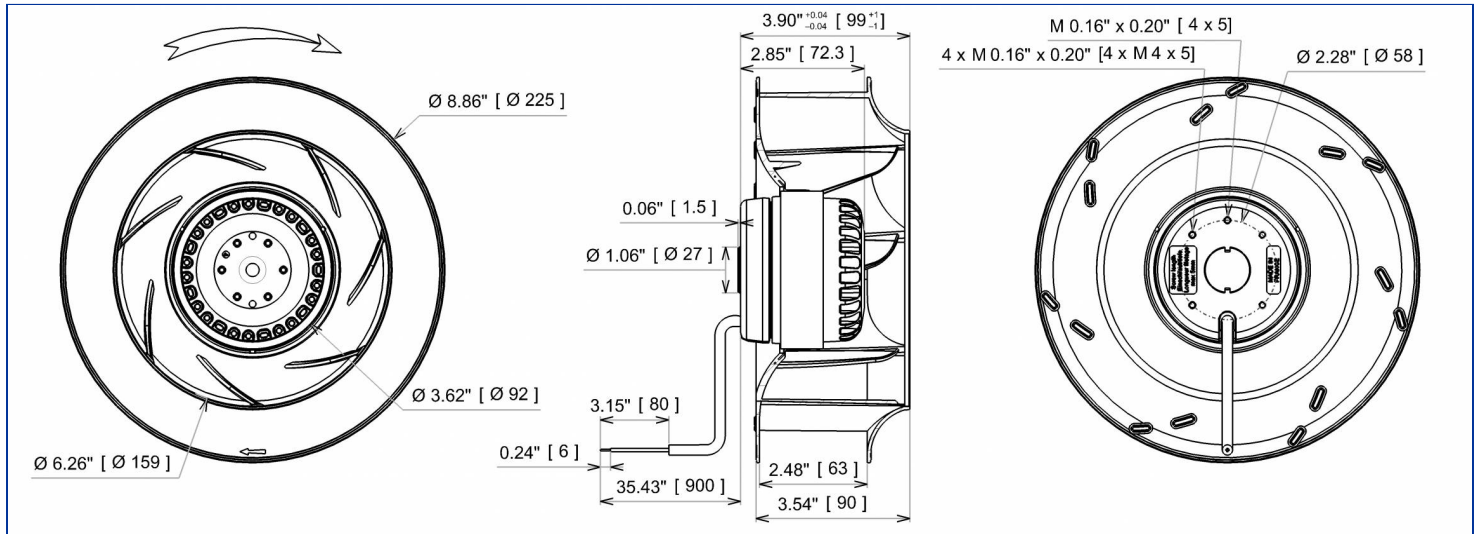


Designation **4RREu25 225x63R**

Range Backward curved centrifugal fans with single phase asynchronous motor

ELECTRICAL DATA

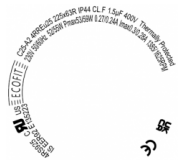
Speed		
Tension (V)	230	230
Frequency (Hz)	50	60
Current (A)	0.27	0.24
Maximum current (A)	0.30	0.28
Power (W)	52	55
Maximum power (W)	53	59
Rotation (RPM)	1385	1625
Cos Φ	0.837	0.996
Temperature min/max (°C)	-40/+70	-40/+70
Capacitor (µF)	1.50	1.50
U_condo (V)	400	400



MARKING & STANDARDS

Conformity

- **CE**
- **UKCA**
- **UL 4RS925 2111 REC92 MonoPhase (XEW2,8)**
File number E135223



The product is manufactured in accordance with EN 60335-1, UL2111, and RoHS directive 2015/863/CE
IP class according to EN 60034-5 to be checked with operation and installation

Issued: 2023-03-22 at 11:46 Documentations and pictures are non contractual, all the data of the technical file and the drawing are subject to change.

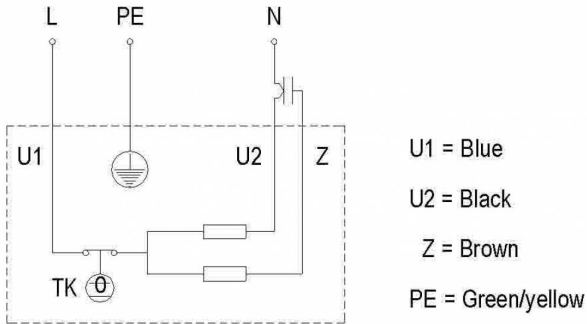
EN - Page 1 / 4

TECHNICAL DATA

Description

- Weight: 1.90 kg
- With Condensat Drain Holes
- Class F
- Protection level: 44 | Protection against ingress of solid with diameter ≥ 1 mm / Protection against ingress of water : splashing
- Motor's protection T150° C UL Automatic reset
- Bearing type: 2 ball bearings 608ZZ
- Balance level: G2.5

Wiring diagram



Finishes

- Rotor : black paint
- PA 6/6 UL 94 V-0 plastic impeller
- Motor - UL Recognized component

The product is manufactured in accordance with EN 60335-1, UL2111, and RoHS directive 2015/863/CE
IP class according to EN 60034-5 to be checked with operation and installation

Issued: 2023-03-22 at 11:46 Documentations and pictures are non contractual, all the data of the technical file and the drawing are subject to change.

EN - Page 2 / 4



by



ADDITIONAL DATA

Accessories

- 19208 | Capacitor
- 16214 | Inlet cone

Documentations

- Operating and recycling manual
<http://www.ecofit.com/anglais/normes>

Measurement setup

- Ouie O_Sp155 Ouie Spé 155

ERP DATA

ErP Directive ErP (EU 2009/125/EC) not applicable:

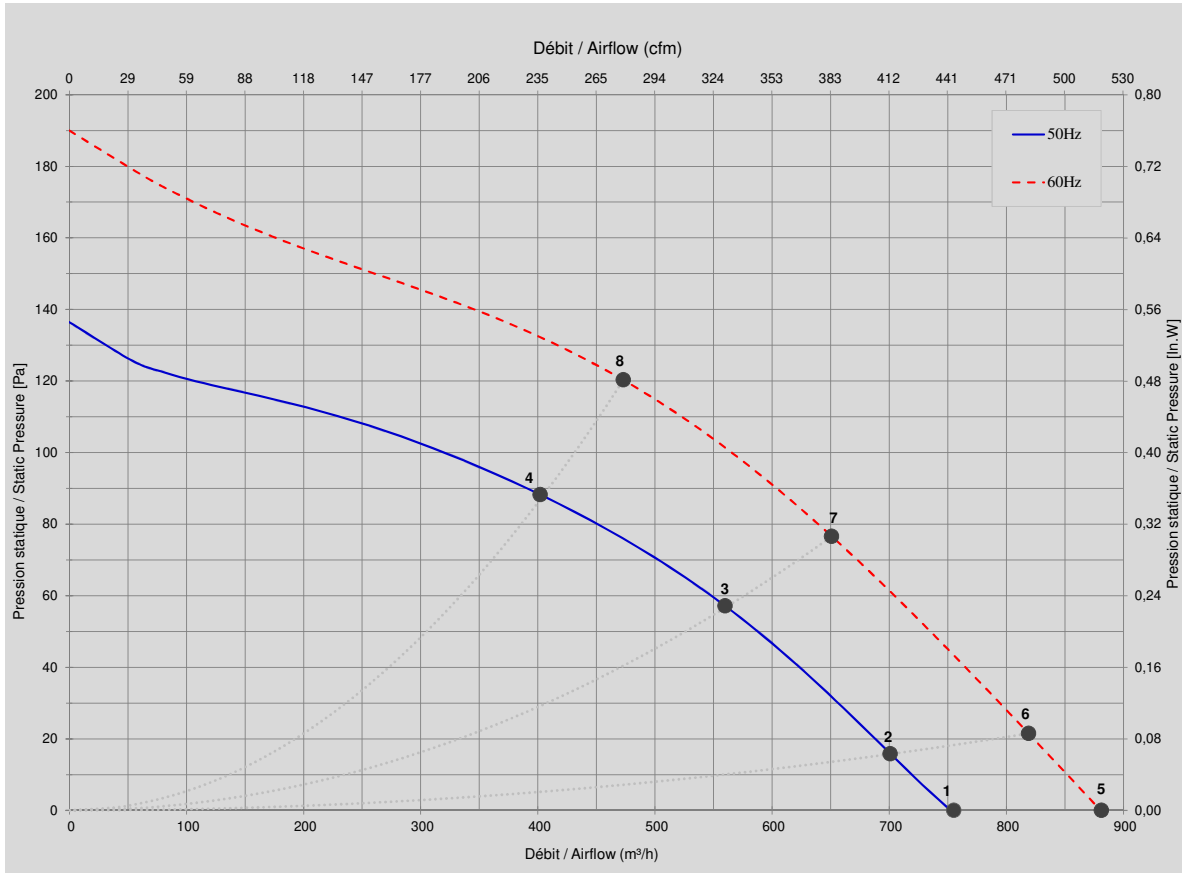
- Power at optimum energy efficiency point <125W

*The product is manufactured in accordance with EN 60335-1, UL2111, and RoHS directive 2015/863/CE
IP class according to EN 60034-5 to be checked with operation and installation*

Issued: 2023-03-22 at 11:46 Documentations and pictures are non contractual, all the data of the technical file and the drawing are subject to change.

EN - Page 3 / 4

TECHNICAL DATA



Mesures / Measured Values *

	Un (V)	F (Hz)	C (µF)	P (W)	n (RPM)	Q (m³/h)	P (Pa)	Q (cfm)	P (In.W)	Lp _n (dBA)
1	230	50	1,5	52	1385	755	0	445	0,000	63,4
2	230	50	1,5	52	1377	701	16	413	0,063	62,1
3	230	50	1,5	53	1368	560	57	330	0,229	58,7
4	230	50	1,5	53	1364	402	88	237	0,354	55,3
5	230	60	1,5	55	1625	881	0	519	0,000	66,0
6	230	60	1,5	56	1624	819	21	482	0,086	64,5
7	230	60	1,5	58	1577	651	77	383	0,307	60,7
8	230	60	1,5	59	1587	473	120	278	0,482	56,3

* Air performance measured according to: ISO 5801, installation category C.
Intake-side sound level: according to ISO 3744, LpA measured at 1 m distance from fan axis. The values given are only applicable under the specified measuring conditions and may differ depending on the installation conditions. In the event of deviation

The product is manufactured in accordance with EN 60335-1, UL2111, and RoHS directive 2015/863/CE
IP class according to EN 60034-5 to be checked with operation and installation