

Technical data sheet

Revision d
Revision 09/2022

ECOFIT

by

rosenberg
THE AIR MOVEMENT GROUP
VENDOME

Model
B11-A7 p

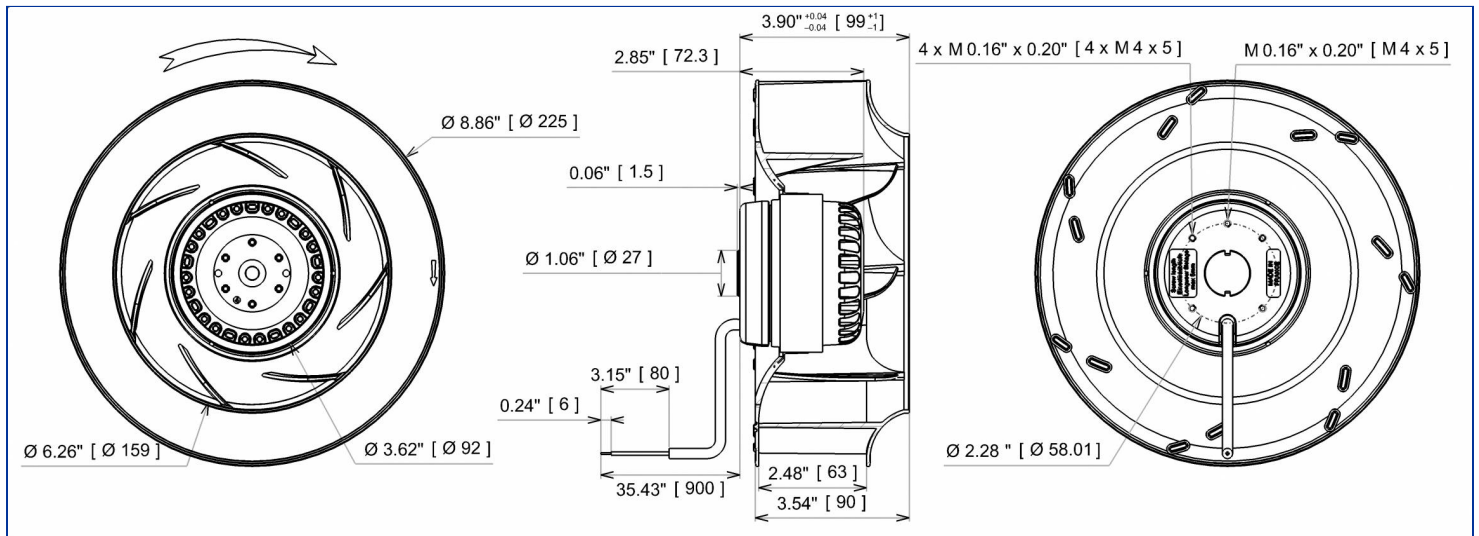


Designation **4RREu25 225x63R (115V)**

Range Backward curved centrifugal fans with single phase asynchronous motor

ELECTRICAL DATA

Speed		
Tension (V)	115	115
Frequency (Hz)	50	60
Current (A)	0.70	0.51
Maximum current (A)	0.78	0.61
Power (W)	58	56
Maximum power (W)	62	61
Rotation (RPM)	1385	1630
Cos Φ	0.720	0.955
Temperature min/max (°C)	-40/+50	-40/+70
Capacitor (µF)	5.00	5.00
U_condo (V)	400	400



MARKING & STANDARDS

Conformity

- **CE**
- **UKCA**
- **UL 4RS925 2111 REC92 MonoPhase (XEW2,8)**
File number E135223



The product is manufactured in accordance with EN 60335-1, UL2111, and RoHS directive 2015/863/CE
IP class according to EN 60034-5 to be checked with operation and installation

Issued: 2022-09-23 at 11:52 Documentations and pictures are non contractual, all the data of the technical file and the drawing are subject to change.

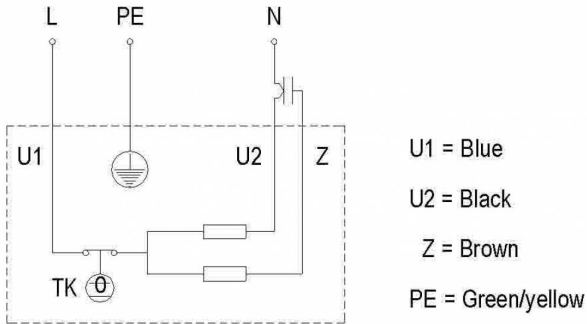
EN - Page 1 / 4

TECHNICAL DATA

Description

- Weight: 1.90 kg
- With Condensat Drain Holes
- Class F
- Protection level: 44 | Protection against ingress of solid with diameter ≥ 1 mm / Protection against ingress of water : splashing
- Motor's protection T150° C UL Automatic reset
- Bearing type: 2 ball bearings 608ZZ
- Balance level: G2.5

Wiring diagram



Finishes

- Motor - UL Recognized component
- Rotor : black paint
- PA 6/6 UL 94 V-0 plastic impeller

The product is manufactured in accordance with EN 60335-1, UL2111, and RoHS directive 2015/863/CE
IP class according to EN 60034-5 to be checked with operation and installation

Issued: 2022-09-23 at 11:52 Documentations and pictures are non contractual, all the data of the technical file and the drawing are subject to change.

EN - Page 2 / 4



by



ADDITIONAL DATA

Accessories

- 19216 | Capacitor

Documentations

- Operating and recycling manual
<http://www.ecofit.com/anglais/normes>

Measurement setup

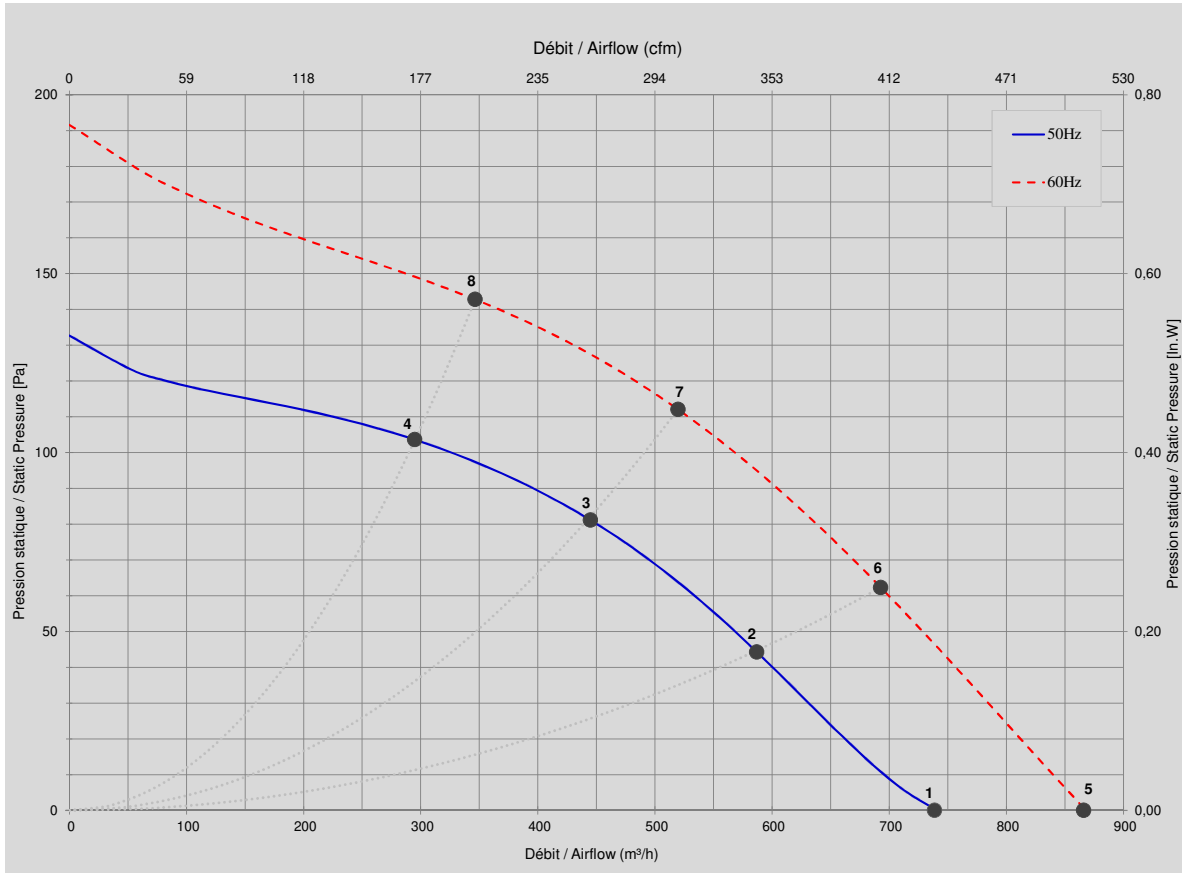
- Ouie O_Sp155 Ouie Spé 155

ERP DATA

ErP Directive ErP (EU 2009/125/EC) not applicable:

- Power at optimum energy efficiency point <125W

TECHNICAL DATA



Mesures / Measured Values *

	Un (V)	F (Hz)	C (µF)	P (W)	n (RPM)	Q (m³/h)	P (Pa)	Q (cfm)	P (In.W)	Lp _n (dBA)
1	115	50	5	58	1385	739	0	435	0,000	55,0
2	115	50	5	61	1365	587	44	346	0,177	53,0
3	115	50	5	61	1359	445	81	262	0,325	50,0
4	115	50	5	60	1368	295	104	174	0,415	49,0
5	115	60	5	56	1630	866	0	510	0,000	58,0
6	115	60	5	59	1610	693	62	408	0,250	55,0
7	115	60	5	61	1595	520	112	306	0,449	53,0
8	115	60	5	58	1614	346	143	204	0,572	53,0

* Air performance measured according to: ISO 5801, installation category C.
Intake-side sound level: according to ISO 3744, LpA measured at 1 m distance from fan axis. The values given are only applicable under the specified measuring conditions and may differ depending on the installation conditions. In the event of deviation

The product is manufactured in accordance with EN 60335-1, UL2111, and RoHS directive 2015/863/CE
IP class according to EN 60034-5 to be checked with operation and installation