



4GREu35 180x75R

C45-C4 p



**DATA SHEET**

release. f - Revision 09-2017

Voltage	Frequency	Input Power	Input Current	Capacitor	Airflow	Rotation speed	Acoustic level	Direction rotation	Admissible Temperature
V	Hz	W	A	µF	m³/h	RPM	dBA		Min/Max
230	50	106	0,47	3,0	600	1115	56	R	-40°C / +70°C
230	60	115	0,51	2,5	590	1110	56	R	-40°C / +70°C
230	50				353 CFM				-40°F / 158°F
230	60				347 CFM				-40°F / 158°F



dBA : free blowing

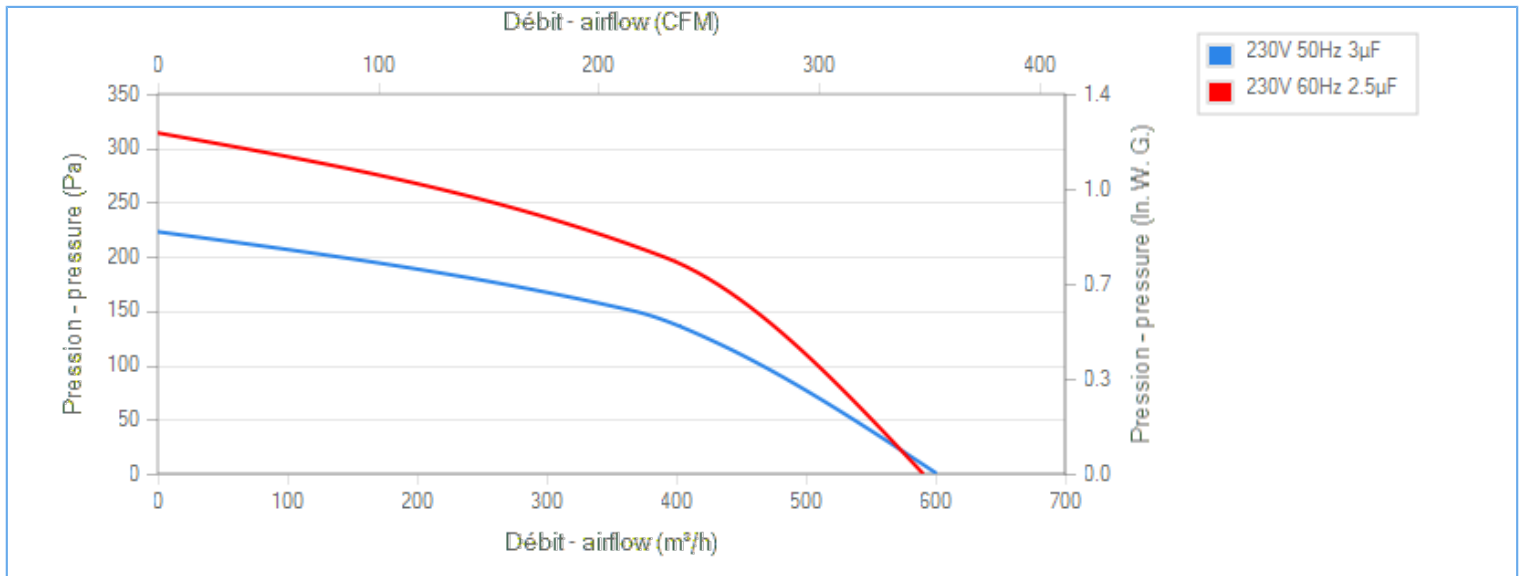
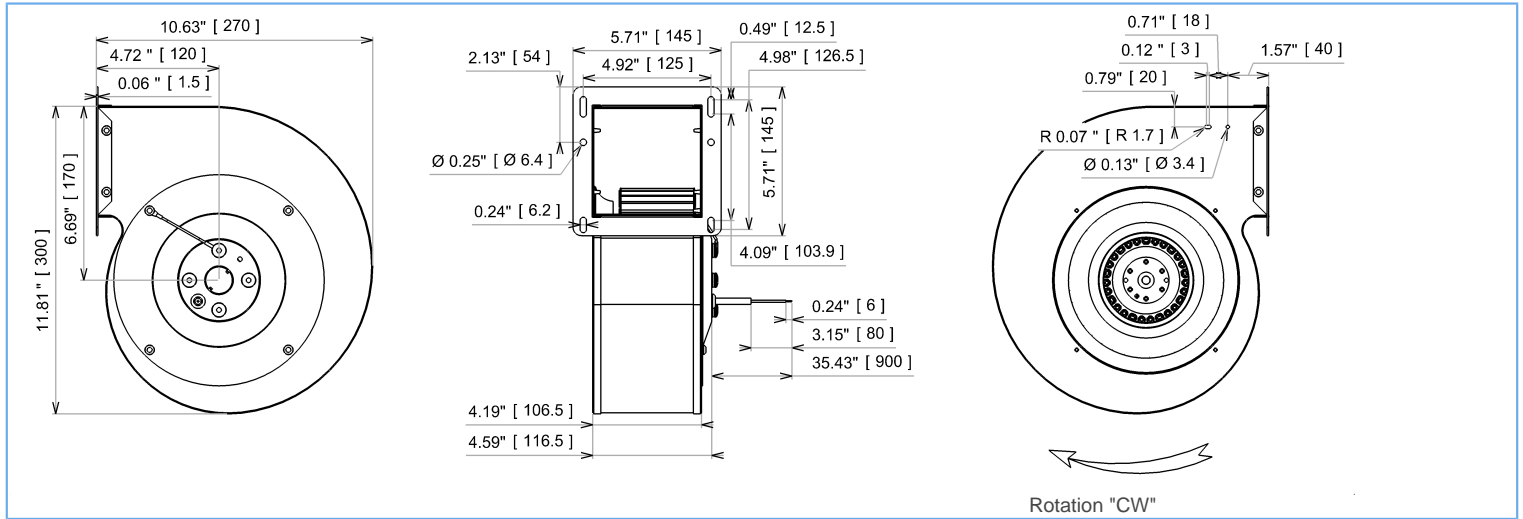
NA : not applicable

ErP 2013

NA

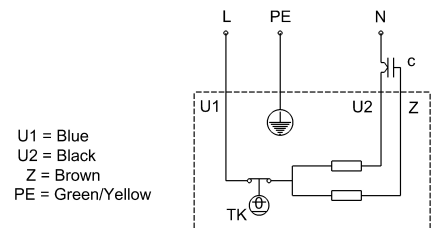
ErP 2015

NA



**Description**

- .Weight : 4,5 Kg
- .Ball bearing
- .Class F, thermally protected
- .IP44 protection depending on installation and position as per EN60034-5
- .G2.5 balancing
- .Galvanized steel impeller
- .Rotor : black paint
- .Scroll housing : black paint
- .Motor - UL Recognized component



U1 = Blue  
 U2 = Black  
 Z = Brown  
 PE = Green/Yellow

Non contractual document. All specifications are subject to change without prior notice. Picture for information only.



4GREu35 180x75R

C45-C4 p



# DATA SHEET

release. f - Revision 09-2017

## Data in accordance to ErP directive

Voltage	230	V
Frequency	50	Hz
Power	0,090	kW <sup>(1)</sup>
Airflow	367	m <sup>3</sup> /h <sup>(1)</sup>
Pressure	150	Pa <sup>(1)</sup>
Rotation speed	1289	RPM <sup>(1)</sup>

(1) at optimal efficiency point

ErP directive (EU 2009/125/EC) not applicable :  
Power at optimum energy efficiency point

## Accessories

- 19219
- 19218
- 21194

## Measurement setup

Contact ECOFIT

## Documents

Manuel d'utilisation  
[www.ecofit.com/site/normes](http://www.ecofit.com/site/normes)

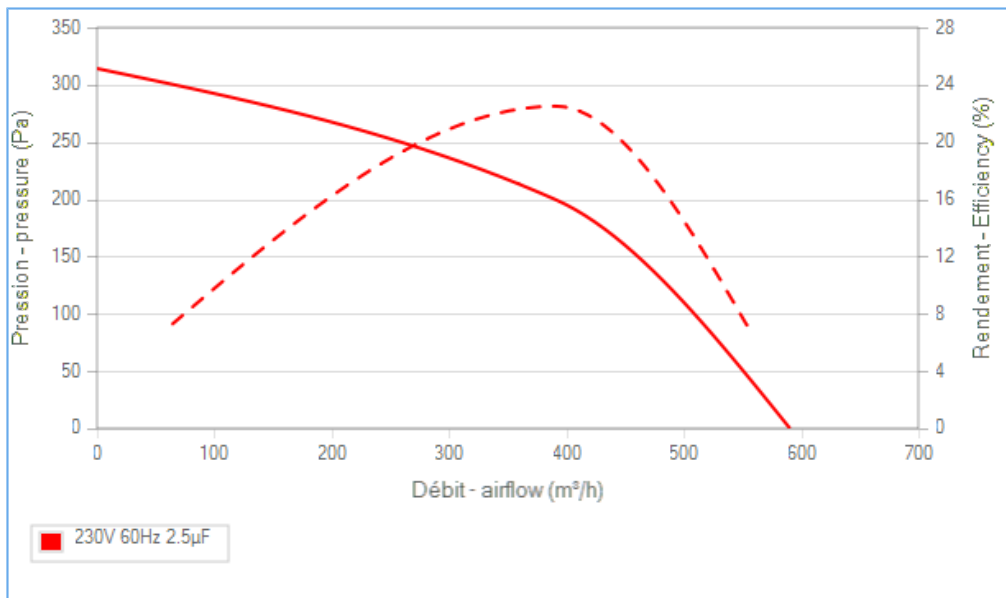
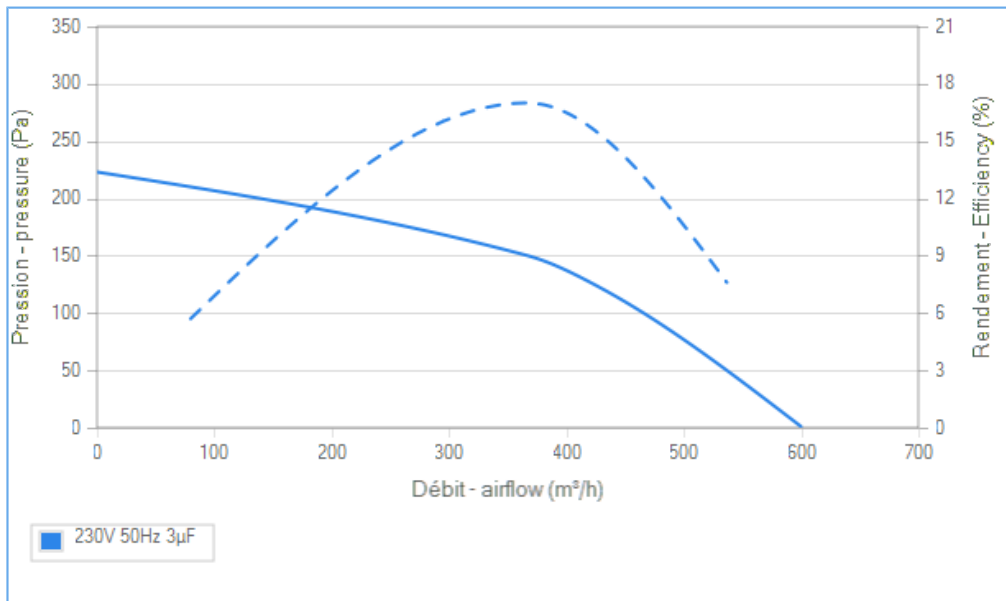
Operating and recycling manual  
[www.ecofit.com/anglais/normes](http://www.ecofit.com/anglais/normes)



UL2111 (XEWR2,8)  
N° file E135223  
4RS935



A041865  
4RS935CN



Non contractual document. All specifications are subject to change without prior notice. Picture for information only.