

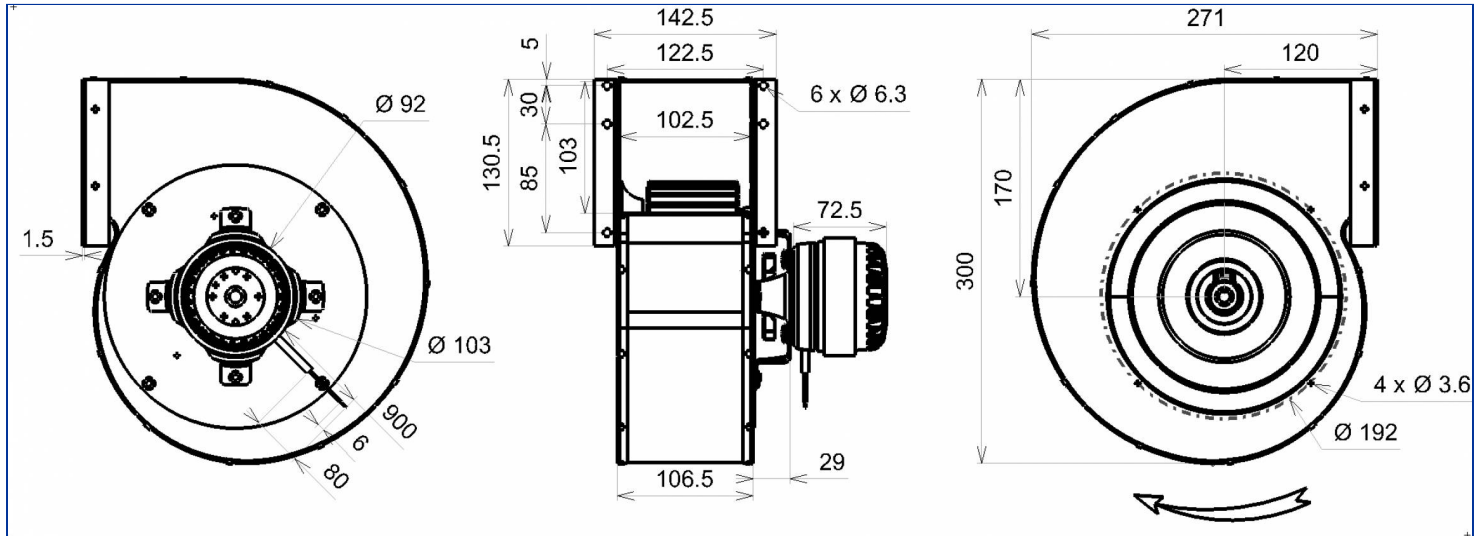


Designation **4GRA25 180x70R**

Range Fans for hot gases with single phase asynchronous motor

ELECTRICAL DATA

Speed		
Tension (V)	230	230
Frequency (Hz)	50	60
Current (A)	0.22	0.24
Maximum current (A)	0.24	0.26
Power (W)	50	55
Maximum power (W)	50	56
Rotation (RPM)	640	640
Cos Φ	0.988	0.996
Temperature min/max (°C)	-20/+60	-20/+50
Capacitor (µF)	1.50	1.50
U_condo (V)	400	400



MARKING & STANDARDS

Conformity

- CE
- UKCA



Thermally Protected 19-22-0000
Q06-35

The product is manufactured in accordance with EN 60335-1, and RoHS directive 2015/863/CE
IP class according to EN 60034-5 to be checked with operation and installation

Issued: 2022-05-09 at 15:06 Documentations and pictures are non contractual, all the data of the technical file and the drawing are subject to change.

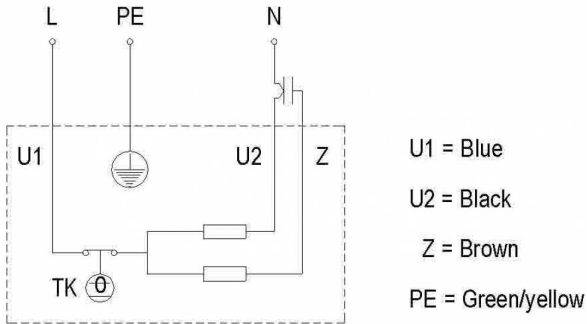
EN - Page 1 / 4

TECHNICAL DATA

Description

- Weight: 3.90 kg
- With Condensat Drain Holes
- Class F
- Protection level: 44 | Protection against ingress of solid with diameter ≥ 1 mm / Protection against ingress of water : splashing
- Motor's protection T150° C Automatic reset
- Bearing type: 2 ball bearings 6000ZZ
- Balance level: G2.5

Wiring diagram



Finishes

- Rotor : black paint
- Maximum temperature on steel impeller 150°C.
- Galvanized steel impeller
- Galvanized steel scroll housing

The product is manufactured in accordance with EN 60335-1, and RoHS directive 2015/863/CE
IP class according to EN 60034-5 to be checked with operation and installation

Issued: 2022-05-09 at 15:06 Documentations and pictures are non contractual, all the data of the technical file and the drawing are subject to change.

EN - Page 2 / 4



by



ADDITIONAL DATA

Accessories

- 19005 | Capacitor
- 21181 | Finger guard

Documentations

- Operating and recycling manual
<http://www.ecofit.com/anglais/normes>

Measurement setup

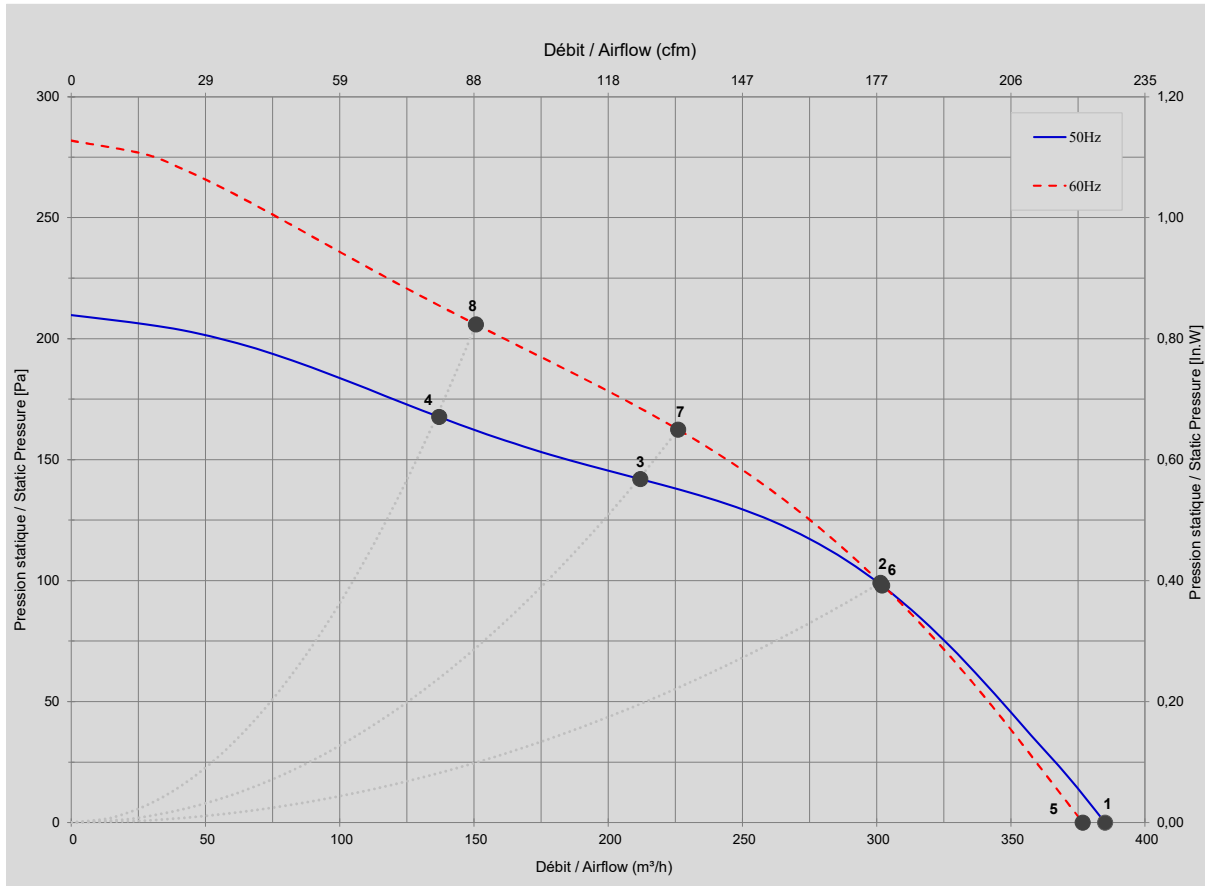
- Scroll 15223-0 VOL VJ1

ERP DATA

ErP Directive ErP (EU 2009/125/EC) not applicable:

- Designed specifically where operating temperatures of the gas being moved exceed 100 °C

TECHNICAL DATA



Mesures / Measured Values *

	Un (V)	F (Hz)	C (µF)	P (W)	n (RPM)	Q (m³/h)	P (Pa)	Q (cfm)	P (in.W)	Lp _{in} (dBA)
1	230	50	1,5	50	640	385	0	227	0,000	
2	230	50	1,5	46	980	302	98	178	0,392	
3	230	50	1,5	40	1161	212	142	125	0,569	
4	230	50	1,5	37	1254	137	168	81	0,672	
5	230	60	1,5	55	640	377	0	222	0,000	
6	230	60	1,5	53	994	301	99	177	0,397	
7	230	60	1,5	50	1230	226	162	133	0,651	
8	230	60	1,5	46	1397	151	206	89	0,825	

* Air performance measured according to: ISO 5801, installation category C.
Intake-side sound level: according to ISO 3744, LpA measured at 1 m distance from fan axis. The values given are only applicable under the specified measuring conditions and may differ depending on the installation conditions. In the event of deviation

The product is manufactured in accordance with EN 60335-1, and RoHS directive 2015/863/CE
IP class according to EN 60034-5 to be checked with operation and installation