

Technical data sheet

Revision e
Revision 10/2022

ECOFIT

by

rosenberg
THE AIR MOVEMENT GROUP
VENDÔME

Model
I32-A0 p

replace C50-B1 , C50-B1

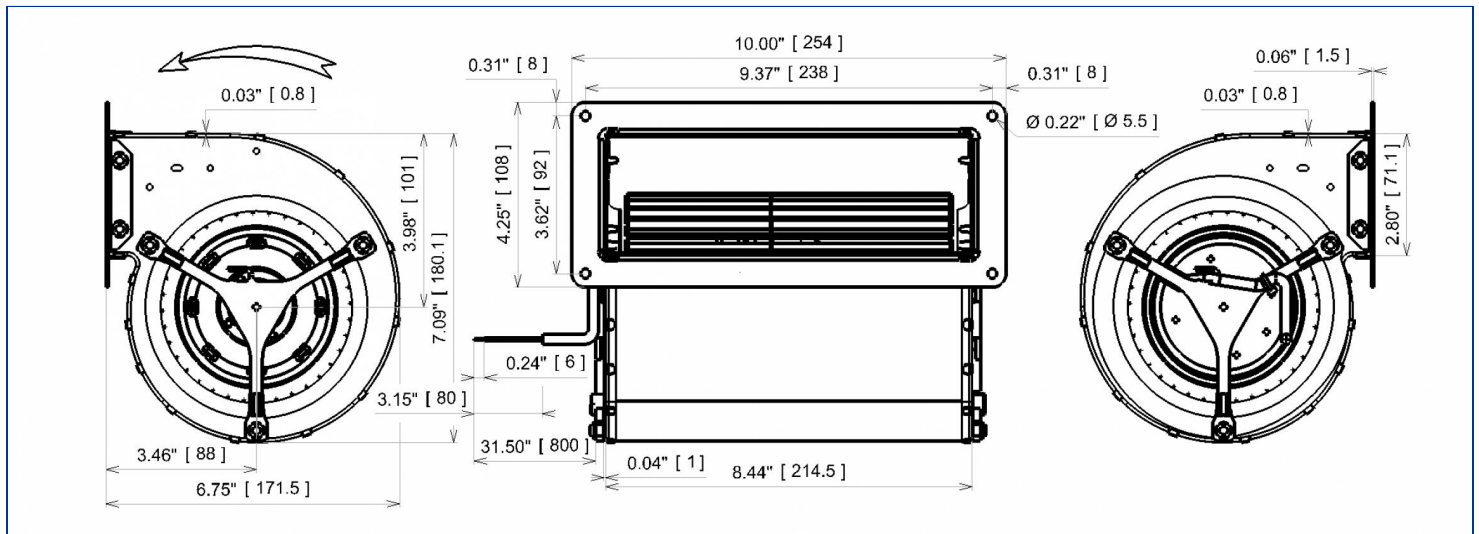


Designation **4GDSu25 133x190R**

Range Double inlet centrifugal fans with single phase asynchronous motor

ELECTRICAL DATA

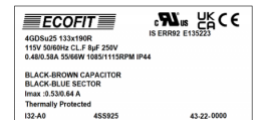
Speed		
Tension (V)	115	115
Frequency (Hz)	50	60
Current (A)	0.48	0.58
Maximum current (A)	0.53	0.64
Power (W)	55	66
Maximum power (W)	55	66
Rotation (RPM)	1085	1115
Cos Φ	0.996	0.990
Temperature min/max (°C)	-40/+70	-40/+70
Capacitor (µF)	8.00	8.00
U_condo (V)	250	250



MARKING & STANDARDS

Conformity

- **CE**
- **UKCA**
- **UL 4SS925 2111 REC92 MonoPhasé (XEW2,8)**
File number E135223



The product is manufactured in accordance with EN 60335-1, UL2111, and RoHS directive 2015/863/CE
IP class according to EN 60034-5 to be checked with operation and installation

Issued: 2022-10-27 at 10:42 Documentations and pictures are non contractual, all the data of the technical file and the drawing are subject to change.

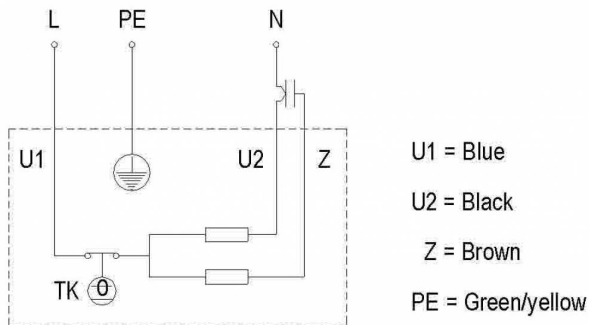
EN - Page 1 / 4

TECHNICAL DATA

Description

- Weight: 3.45 kg
- Without Condensat Drain Holes
- Class F
- Protection level: 44 | Protection against ingress of solid with diameter ≥ 1 mm / Protection against ingress of water : splashing
- Motor's protection T150° C UL Automatic reset
- Bearing type: 2 ball bearings 608ZZ
- Balance level: G2.5

Wiring diagram



Finishes

- Galvanized steel impeller
- Motor - UL Recognized component
- Galvanized scroll and frame

The product is manufactured in accordance with EN 60335-1, UL2111, and RoHS directive 2015/863/CE
IP class according to EN 60034-5 to be checked with operation and installation

Issued: 2022-10-27 at 10:42 Documentations and pictures are non contractual, all the data of the technical file and the drawing are subject to change.

EN - Page 2 / 4



by



ADDITIONAL DATA

Accessories

- 19.6 | Capacitor
- 21236 | Finger guard

Documentations

- Operating and recycling manual
<http://www.ecofit.com/anglais/normes>

Measurement setup

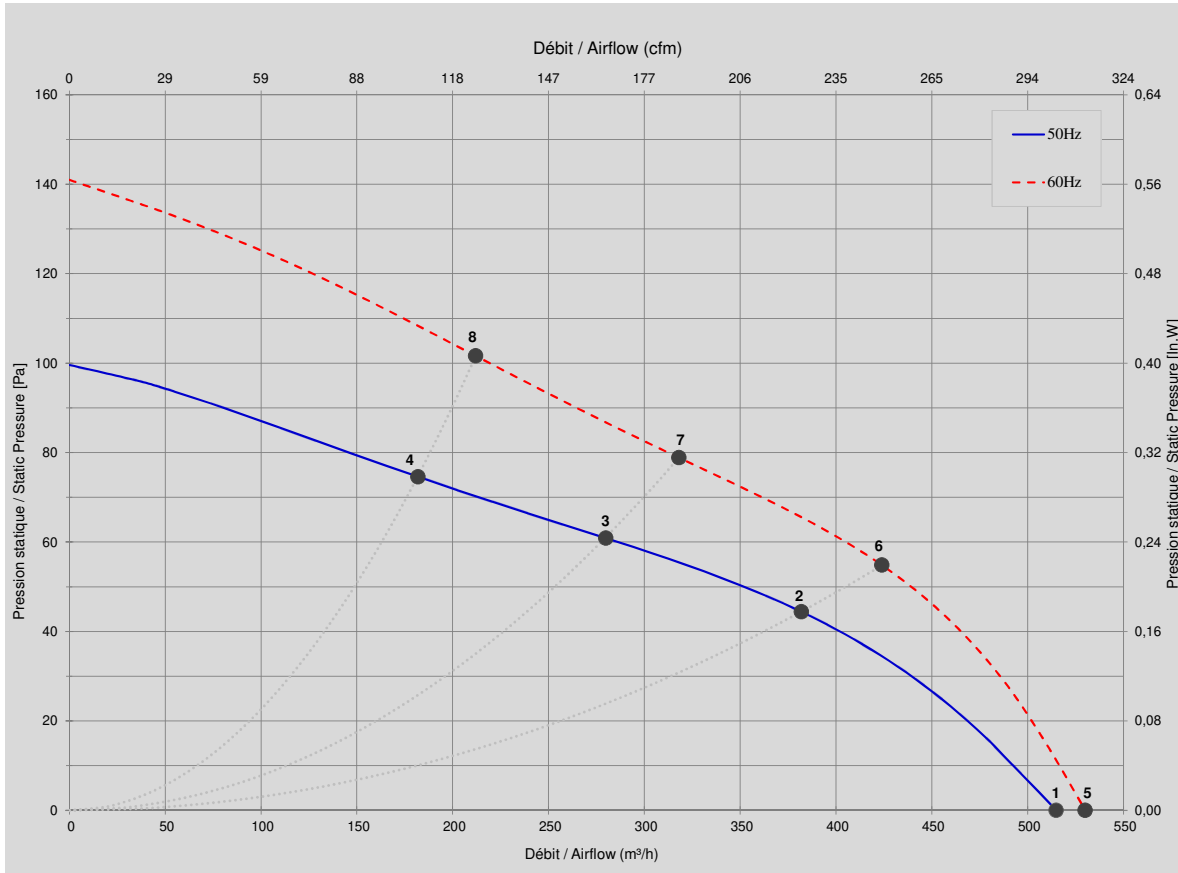
- Scroll 15109-c VOL VRD215

ERP DATA

ErP Directive ErP (EU 2009/125/EC) not applicable:

- Power at optimum energy efficiency point <125W

TECHNICAL DATA



Mesures / Measured Values *

	Un (V)	F (Hz)	C (µF)	P (W)	n (RPM)	Q (m³/h)	P (Pa)	Q (cfm)	P (In.W)	Lp _m (dBA)
1	115	50	8	55	1085	515	0	303	0,000	55,0
2	115	50	8	48	1251	382	44	225	0,178	50,0
3	115	50	8	45	1319	280	61	165	0,244	48,0
4	115	50	8	43	1364	182	75	107	0,299	49,0
5	115	60	8	66	1115	530	0	312	0,000	56,0
6	115	60	8	60	1387	424	55	250	0,220	52,0
7	115	60	8	56	1501	318	79	187	0,316	52,0
8	115	60	8	52	1584	212	102	125	0,407	53,0

* Air performance measured according to: ISO 5801, installation category C.
Intake-side sound level: according to ISO 3744, LpA measured at 1 m distance from fan axis. The values given are only applicable under the specified measuring conditions and may differ depending on the installation conditions. In the event of deviation

The product is manufactured in accordance with EN 60335-1, UL2111, and RoHS directive 2015/863/CE
IP class according to EN 60034-5 to be checked with operation and installation