

Technical data sheet

Revision e
Revision 06/2022

ECOFIT

by

rosenberg
THE AIR MOVEMENT GROUP
VENDÔME

Model
G28-A0-3

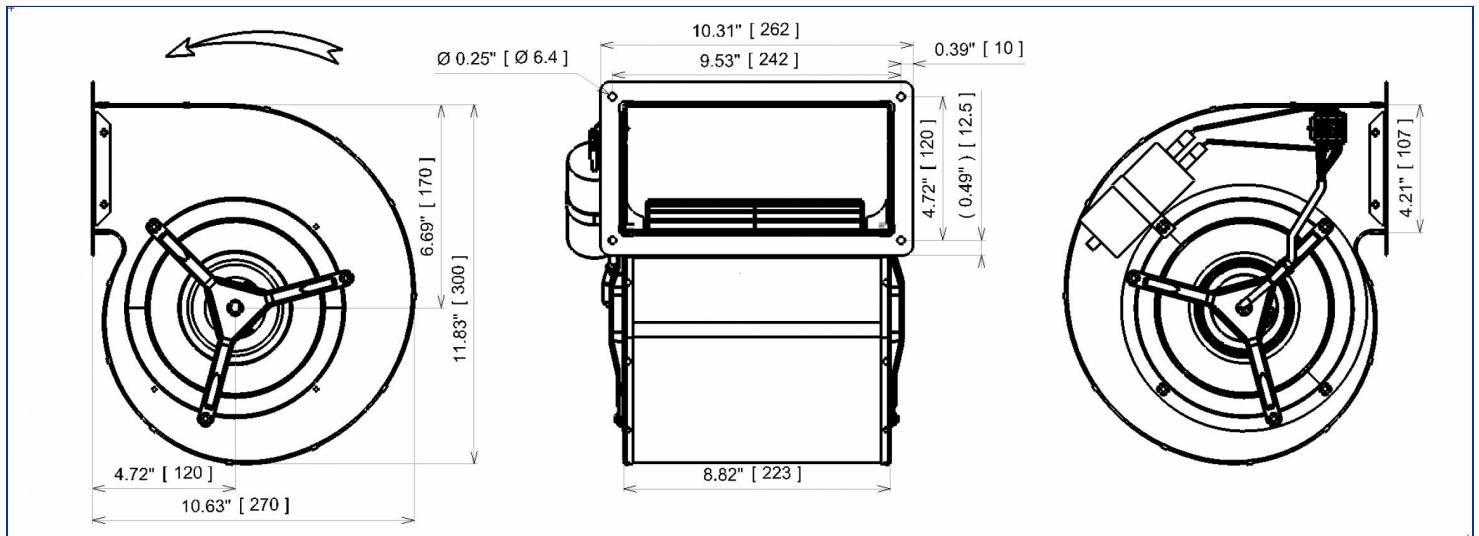


Designation **4GDFu65 180x180L**

Range Double inlet centrifugal fans with single phase asynchronous motor

ELECTRICAL DATA

Speed		
Tension (V)	115	115
Frequency (Hz)	50	60
Current (A)	1.98	2.35
Maximum current (A)	2.18	2.59
Power (W)	227	270
Maximum power (W)	228	272
Rotation (RPM)	1035	1030
Cos Φ	0.997	0.999
Temperature min/max (°C)	-25/+40	-25/+40
Capacitor (µF)	25.00	25.00
U_condo (V)	250	250



MARKING & STANDARDS

Conformity

- **UL 4GS965 2111 REC92 MonoPhasé (XEWR2,8)**
File number E135223

ECOFIT IS ERROR C **UL US** E135223
 4GDFu65 180x180L
 115V 50/60Hz CL3 25µF 250V
 1.98/2.35A 227/270W 1035/1030RPM IP54
 BLACK-BROWN CAPACITOR
 BLACK-BLUE SECTOR
 Inlet: 2.18/2.59 A
 Thermally Protected
 G28-A0 4GS965 24-22-0000

The product is manufactured in accordance with EN 60335-1, UL2111, and RoHS directive 2015/863/CE
 IP class according to EN 60034-5 to be checked with operation and installation

Issued: 2022-06-14 at 09:37 Documentations and pictures are non contractual, all the data of the technical file and the drawing are subject to change.

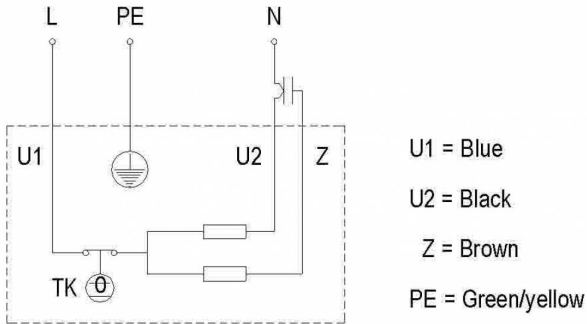
EN - Page 1 / 4

TECHNICAL DATA

Description

- Weight: 6.70 kg
- Without Condensat Drain Holes
- Class F
- Protection level: 54 | Protection against ingress of dust / Protection against ingress of water : splashing
- Motor's protection T150° C UL Automatic reset
- Bearing type: 2 ball bearings 6001ZZ
- Balance level: G2.5

Wiring diagram



Finishes

- Capacitor fixed on the scroll and wired to a WAGO Connector
- Galvanized steel scroll housing



by



ADDITIONAL DATA

Accessories

- 19257 | Capacitor
- 21291 | Finger guard

Documentations

- Operating and recycling manual
<http://www.ecofit.com/anglais/normes>

Measurement setup

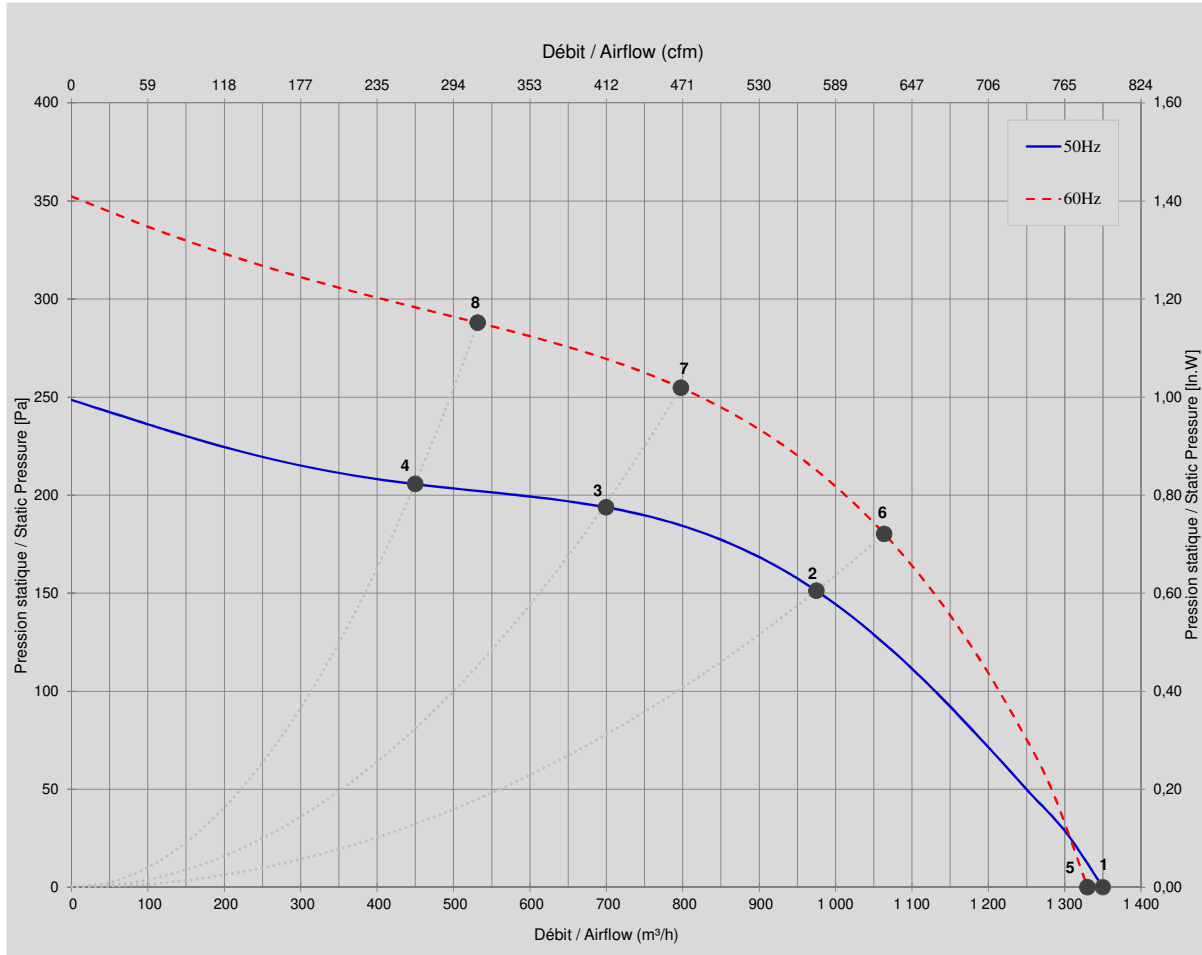
- Scroll 15175-c

ERP DATA



- For maintenance usage only in Europe according to the directive EU 2009/125/EC

TECHNICAL DATA



Mesures / Measured Values *

	Un (V)	F (Hz)	C (µF)	P (W)	n (RPM)	Q (m³/h)	P (Pa)	Q (cfm)	P (In.W)	Lp _{in} (dBA)
1	115	50	25	227	1035	1 350	0	795	0,000	61,0
2	115	50	25	180	1265	975	151	574	0,606	57,0
3	115	50	25	155	1339	700	194	412	0,776	55,0
4	115	50	25	138	1386	450	206	265	0,824	54,0
5	115	60	25	270	1030	1 330	0	783	0,000	61,0
6	115	60	25	236	1377	1 064	180	626	0,722	59,0
7	115	60	25	208	1529	798	255	470	1,020	58,0
8	115	60	25	183	1625	532	288	313	1,153	59,0

* Air performance measured according to: ISO 5801, installation category C.
Intake-side sound level: according to ISO 3744, LpA measured at 1 m distance from fan axis. The values given are only applicable under the specified measuring conditions and may differ depending on the installation conditions. In the event of deviation

The product is manufactured in accordance with EN 60335-1, UL2111, and RoHS directive 2015/863/CE
IP class according to EN 60034-5 to be checked with operation and installation