

# Technical data sheet

Revision d  
Revision 08/2023

**ECOFIT**

by



Model  
**G36-A3 p**

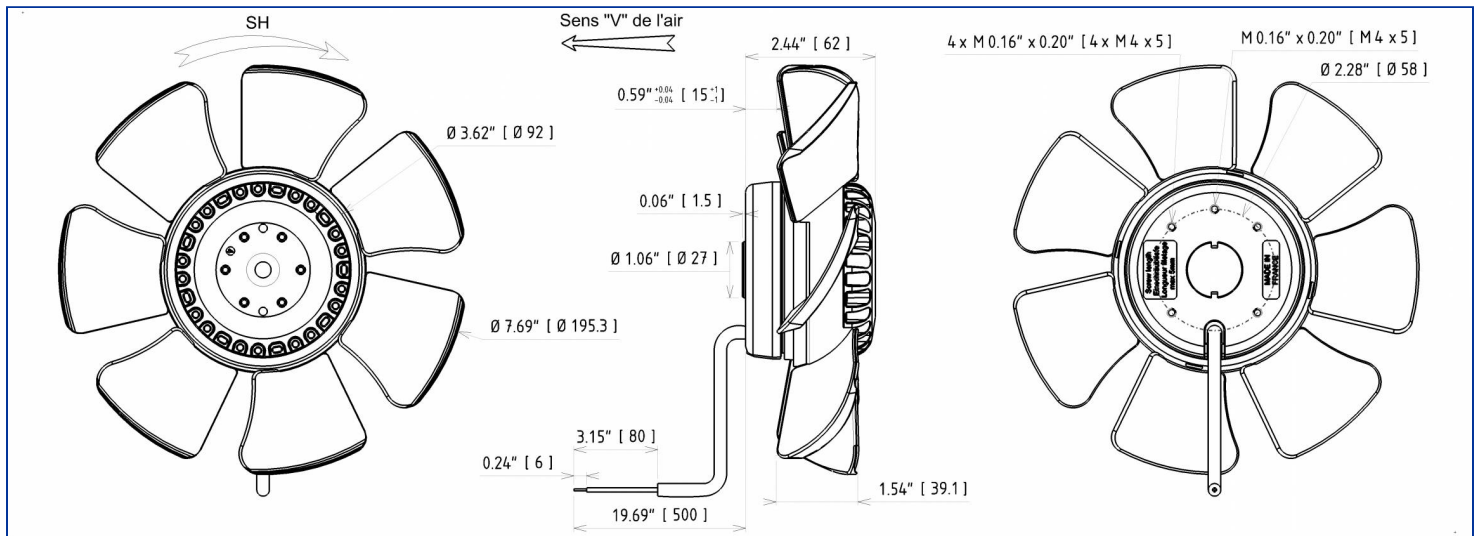


Designation **2VREu15 200V (115V)**

Range Axial fans with single phase asynchronous motor

## ELECTRICAL DATA

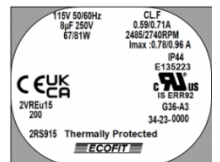
Speed		
Tension (V)	115	115
Frequency (Hz)	50	60
Current (A)	0.59	0.71
Maximum current (A)	0.78	0.96
Power (W)	67	81
Maximum power (W)	81	102
Rotation (RPM)	2485	2740
Cos Φ	0.987	0.992
Temperature min/max (°C)	-40/+70	-40/+70
Capacitor (µF)	8.00	8.00
U_condo (V)	250	250



## MARKING & STANDARDS

### Conformity

- CE
- UKCA
- UL 2RS915 2111 REC92 MonoPhasé (XEWR2,8)  
File number E135223



The product is manufactured in accordance with EN 60335-1, UL2111, and RoHS directive 2015/863/CE  
IP class according to EN 60034-5 to be checked with operation and installation

Issued: 2023-08-29 at 16:17 Documentations and pictures are non contractual, all the data of the technical file and the drawing are subject to change.

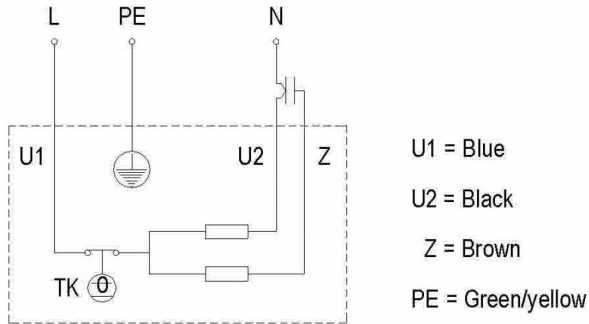
EN - Page 1 / 4

TECHNICAL DATA

Description

- Weight: 1.40 kg
- With Condensat Drain Holes
- Class F
- Protection level: 44 | Protection against ingress of solid with diameter  $\geq 1$  mm / Protection against ingress of water : splashing
- Motor's protection T150° C UL Automatic reset
- Bearing type: 2 ball bearings 608ZZ
- Balance level: G6.3

Wiring diagram



Finishes

- Rotor : black paint
- Plastic impeller PA 6/6 UL94 V0
- Motor - UL Recognized component

The product is manufactured in accordance with EN 60335-1, UL2111, and RoHS directive 2015/863/CE  
IP class according to EN 60034-5 to be checked with operation and installation

Issued: 2023-08-29 at 16:17 Documentations and pictures are non contractual, all the data of the technical file and the drawing are subject to change.

EN - Page 2 / 4

## ADDITIONAL DATA

### Accessories

- 19201. | Capacitor
- 39658 | Connecting box
- 09172 | Connector

### Documentations

- Operating and recycling manual  
<http://www.ecofit.com/anglais/normes>

### Measurement setup

- Ring 16084-0 VIROLE V200 RONDE

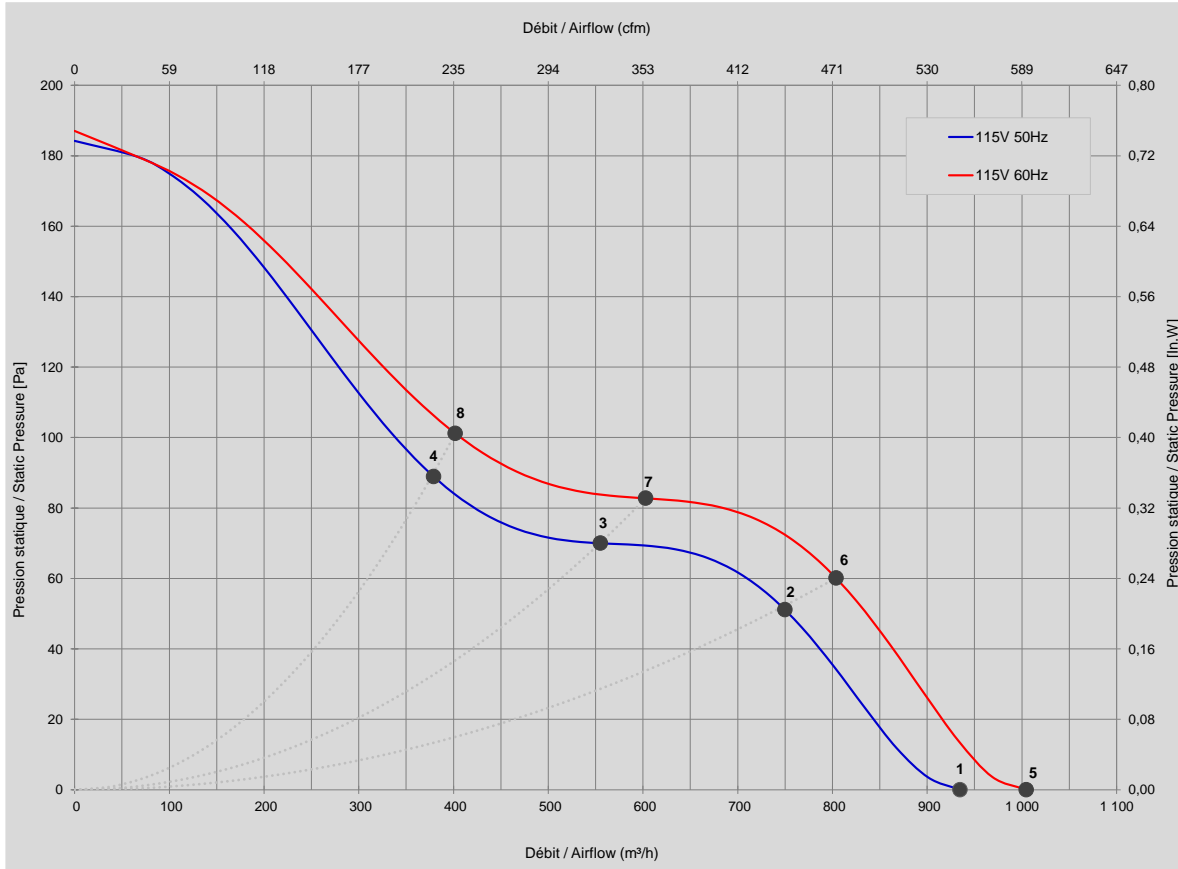
## ERP DATA

ErP Directive ErP (EU 2009/125/EC) not applicable:

- Power at optimum energy efficiency point <125W

TECHNICAL DATA

Do not use in pumping zone.



Mesures / Measured Values \*

	Un (V)	F (Hz)	C (µF)	P (W)	n (RPM)	Q (m³/h)	P (Pa)	Q (cfm)	P (In.W)	Lp <sub>n</sub> (dBA)
1	115	50	8	67	2485	935	0	550	0,000	64
2	115	50	8	69	2427	750	51	441	0,205	64
3	115	50	8	69	2445	555	70	327	0,280	65
4	115	50	8	71	2419	379	89	223	0,356	64
5	115	60	8	81	2740	1 005	0	591	0,000	67
6	115	60	8	85	2557	804	60	473	0,241	66
7	115	60	8	85	2669	603	83	355	0,332	67
8	115	60	8	86	2576	402	101	237	0,405	65

\* Air performance measured according to: ISO 5801, installation category C.  
Intake-side sound level: according to ISO 3744, LpA measured at 1 m distance from fan axis. The values given are only applicable under the specified measuring conditions and may differ depending on the installation conditions. In the event of deviation

The product is manufactured in accordance with EN 60335-1, UL2111, and RoHS directive 2015/863/CE  
IP class according to EN 60034-5 to be checked with operation and installation