



2VREu15 200A (115V)

H26-A2 p



DATA SHEET

release. c - Revision 06-2016

Voltage	Frequency	Input Power	Input Current	Capacitor	Airflow	Rotation speed	Acoustic level	Direction rotation	Admissible Temperature	
V	Hz	W	A	µF	m³/h	RPM	dBA	↻	Min/Max	
115	50	67	0,59	8,0	935	2485	57	L	-40°C / +70°C	
115	60	81	0,71	8,0	1005	2740	60	L	-40°C / +70°C	
115	50	550 CFM						-40°F / 158°F		
115	60	591 CFM						-40°F / 158°F		



dBa : free blowing

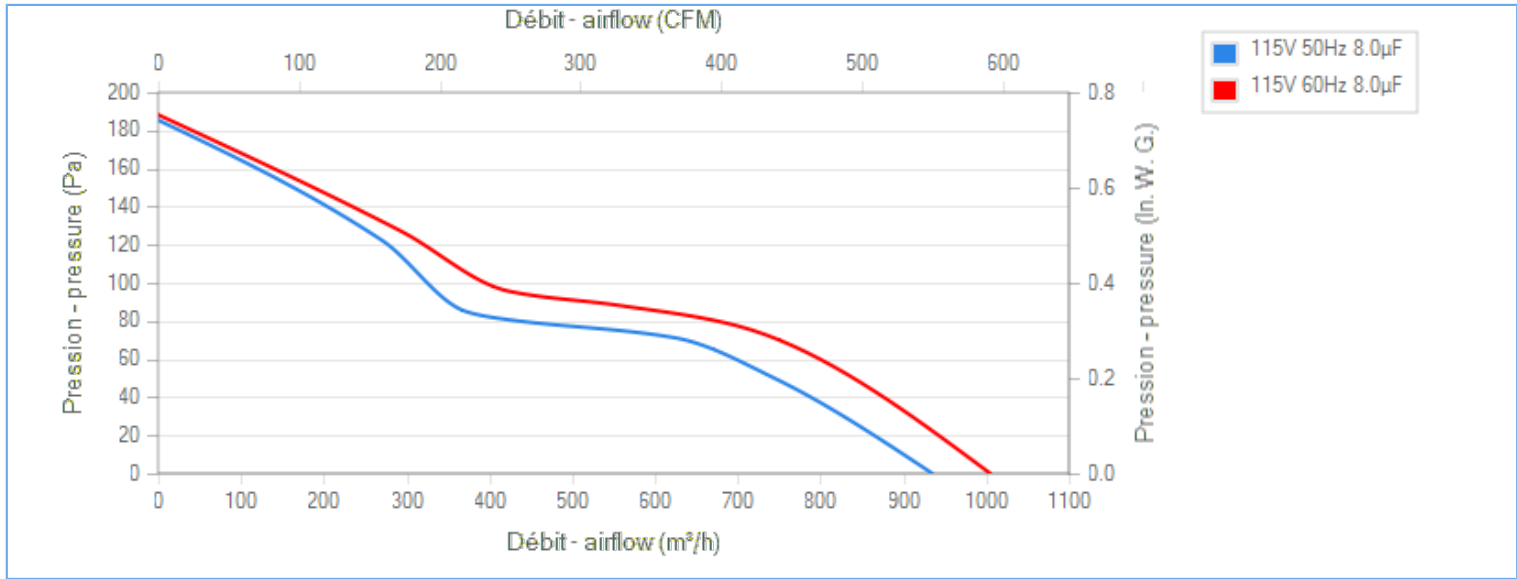
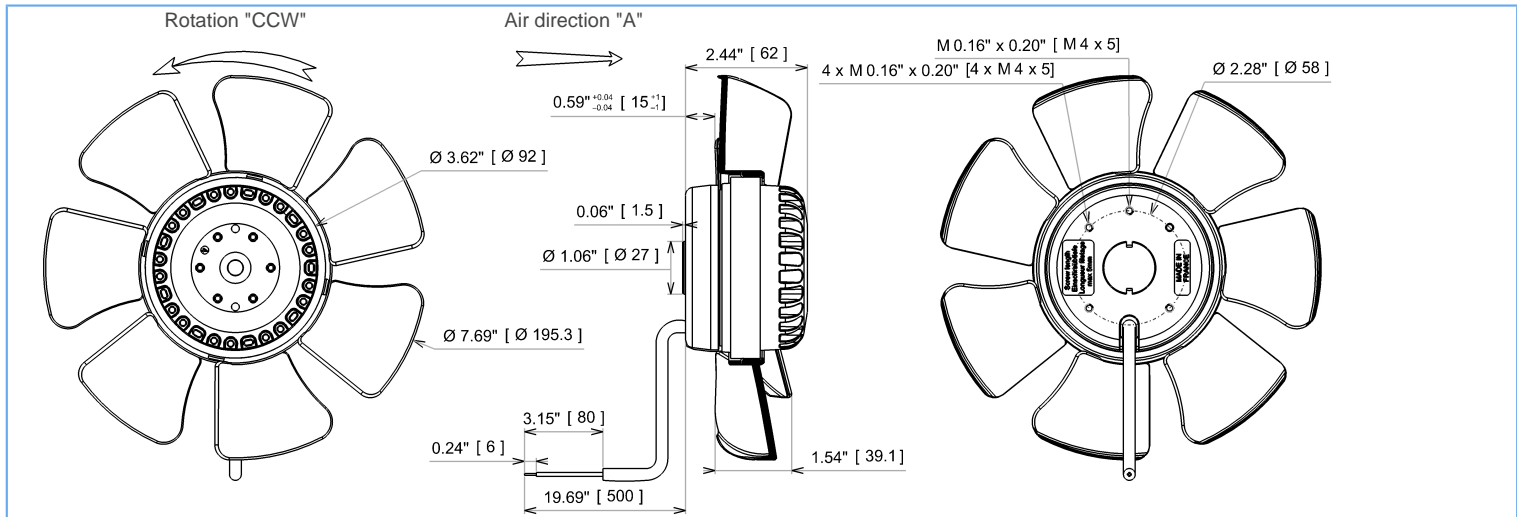
NA : not applicable

ErP 2013

NA

ErP 2015

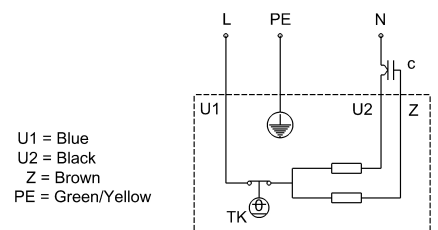
NA



Tested with ECOFIT ring

Description

- .Weight : 1,4 Kg
- .Ball bearing
- .Class F, thermally protected
- .IP44 protection depending on installation and position as per EN60034-5
- .G6.3 balancing
- .Plastic impeller PA 6/6
- .Rotor : black paint
- .Motor - UL Recognized component





2VREu15 200A (115V)

H26-A2 p



DATA SHEET

release. c - Revision 06-2016

Data in accordance to ErP directive

Voltage	115	V
Frequency	50	Hz
Power	0,070	kW ⁽¹⁾
Airflow	624	m ³ /h ⁽¹⁾
Pressure	71	Pa ⁽¹⁾
Rotation speed	2410	RPM ⁽¹⁾
(1) at optimal efficiency point		

ErP directive (EU 2009/125/EC) not applicable :
Power at optimum energy efficiency point

Accessories

- 19222
- 19222
- 39658
- 09172

Measurement setup

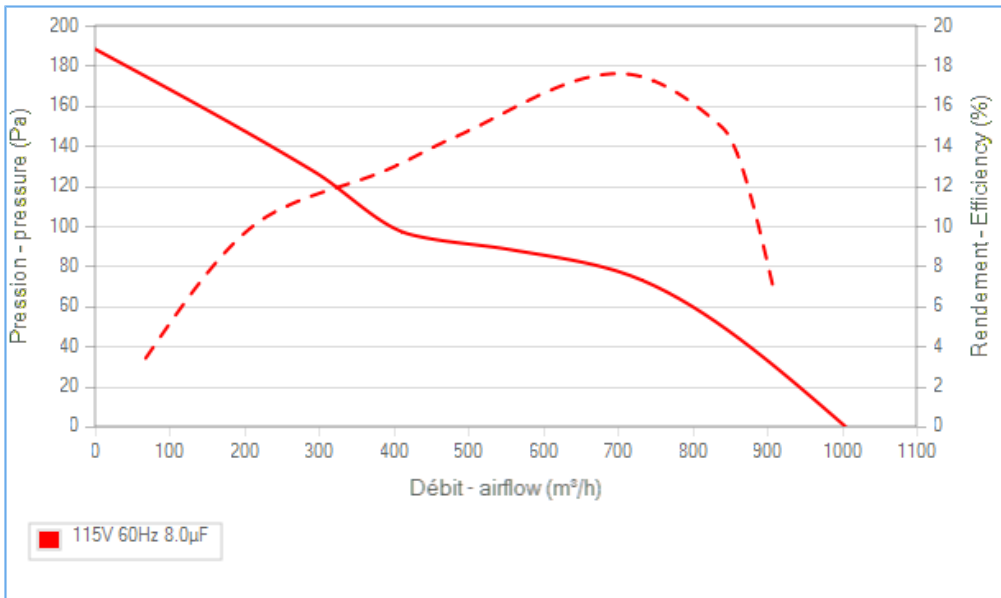
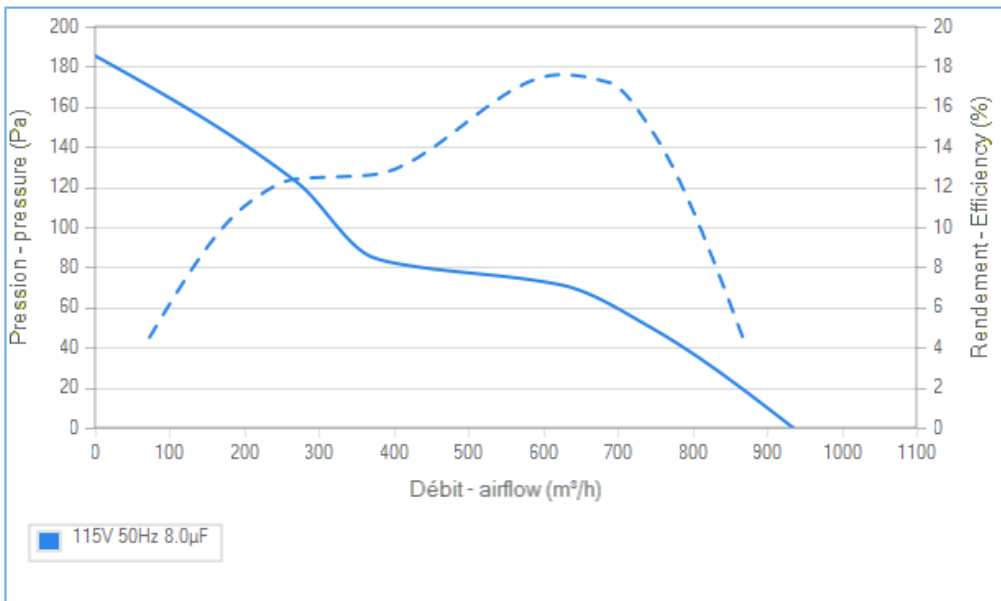
16084 VIROLE V200 RONDE

Documents

- Manuel d'utilisation
www.ecofit.com/site/normes
- Operating and recycling manual
www.ecofit.com/anglais/normes



UL2111 (XEWR2,8)
N° file E135223
2RS915



Non contractual document. All specifications are subject to change without prior notice. Picture for information only.