

Technical data sheet

Revision f
Revision 03/2022



by



Model
D18-A2 p

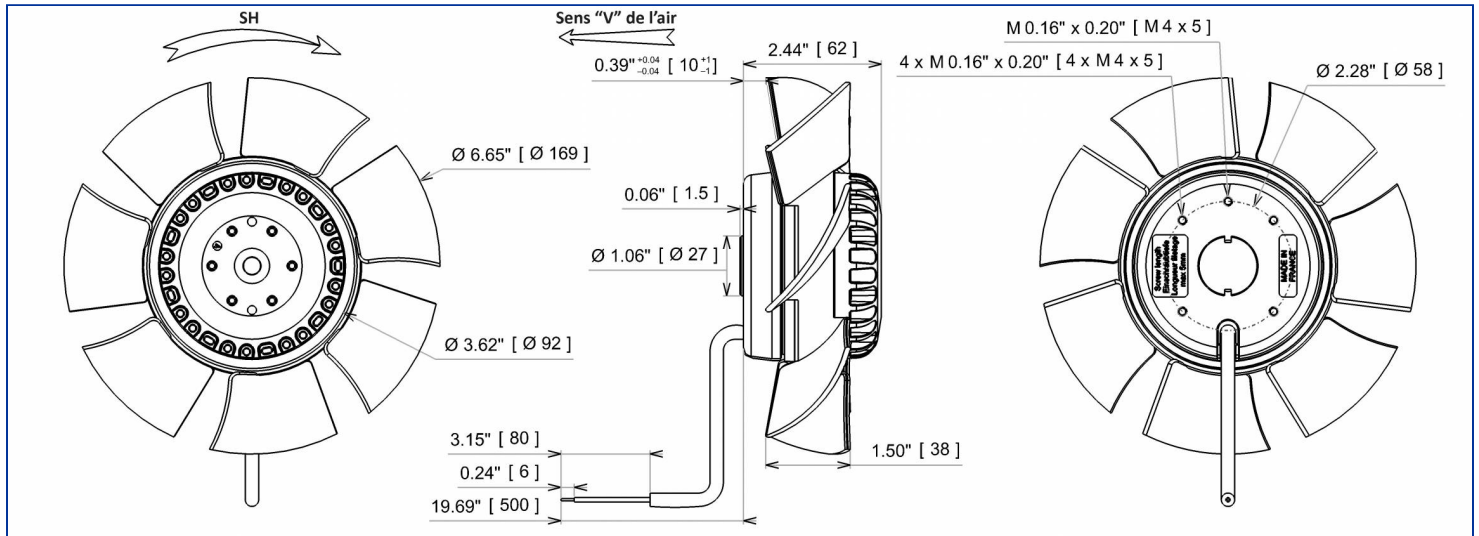


Designation **2VREu15 170V**

Range Axial fans with single phase asynchronous motor

ELECTRICAL DATA

Speed		
Tension (V)	230	230
Frequency (Hz)	50	60
Current (A)	0.26	0.30
Maximum current (A)	0.32	0.36
Power (W)	58	68
Maximum power (W)	67	78
Rotation (RPM)	2660	3085
Cos Φ	0.970	0.986
Temperature min/max (°C)	-40/+70	-40/+70
Capacitor (µF)	2.00	2.00
U_condo (V)	400	400



MARKING & STANDARDS

Conformity

- CE
- UKCA
- UL 2RS915 2111 REC92 MonoPhasé (XEWR2,8)
File number E135223



The product is manufactured in accordance with EN 60335-1, UL2111, and RoHS directive 2015/863/CE
IP class according to EN 60034-5 to be checked with operation and installation

Issued: 2022-03-18 at 08:02 Documentations and pictures are non contractual, all the data of the technical file and the drawing are subject to change.

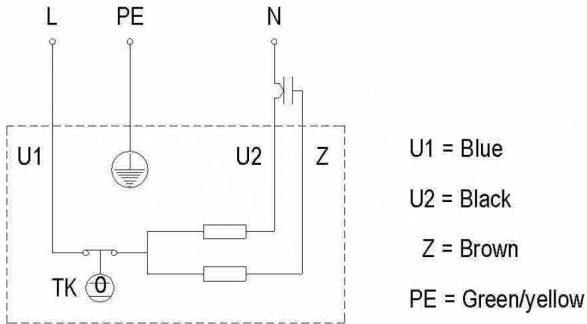
EN - Page 1 / 4

TECHNICAL DATA

Description

- Weight: 1.19 kg
- With Condensat Drain Holes
- Class F
- Protection level: 44 | Protection against ingress of solid with diameter ≥ 1 mm / Protection against ingress of water : splashing
- Motor's protection T150° C UL Automatic reset
- Bearing type: 2 ball bearings 608ZZ
- Balance level: G6.3

Wiring diagram



Finishes

- Plastic impeller PA 6/6 UL94 V0
- Motor - UL Recognized component
- Rotor : black paint

The product is manufactured in accordance with EN 60335-1, UL2111, and RoHS directive 2015/863/CE
IP class according to EN 60034-5 to be checked with operation and installation

Issued: 2022-03-18 at 08:02 Documentations and pictures are non contractual, all the data of the technical file and the drawing are subject to change.

EN - Page 2 / 4



by



ADDITIONAL DATA

Accessories

- 19217 | Capacitor
- 39658 | Connecting box
- 09172 | Connector

Documentations

- Operating and recycling manual
<http://www.ecofit.com/anglais/normes>

Measurement setup

- Ring V170 Virole 170 stéréo

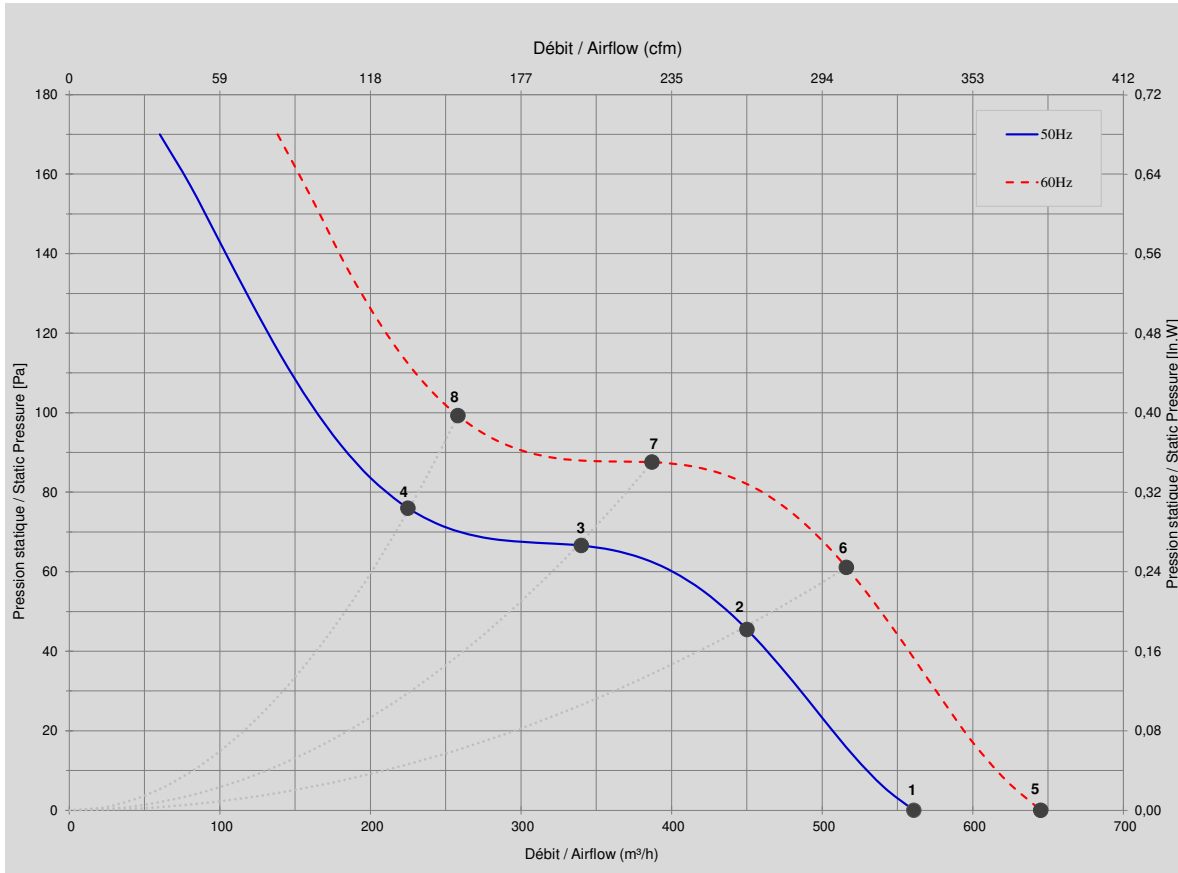
ERP DATA

ErP Directive ErP (EU 2009/125/EC) not applicable:

- Power at optimum energy efficiency point <125W

TECHNICAL DATA

Do not use in pumping zone.



Mesures / Measured Values *

	Un (V)	F (Hz)	C (µF)	P (W)	n (RPM)	Q (m³/h)	P (Pa)	Q (cfm)	P (In.W)	Lp _n (dBA)
1	230	50	2	58	2660	561	0	330	0,000	62,5
2	230	50	2	63	2581	450	45	265	0,182	61,5
3	230	50	2	62	2608	340	67	200	0,267	59,7
4	230	50	2	62	2619	225	76	132	0,304	58,6
5	230	60	2	68	3085	645	0	380	0,000	66,0
6	230	60	2	68	2973	516	61	304	0,245	64,3
7	230	60	2	69	3016	387	88	228	0,351	62,5
8	230	60	2	69	3027	258	99	152	0,398	62,5

* Air performance measured according to: ISO 5801, installation category C.
Intake-side sound level: according to ISO 3744, LpA measured at 1 m distance from fan axis. The values given are only applicable under the specified measuring conditions and may differ depending on the installation conditions. In the event of deviation

The product is manufactured in accordance with EN 60335-1, UL2111, and RoHS directive 2015/863/CE
IP class according to EN 60034-5 to be checked with operation and installation