



2VPRu25 250V

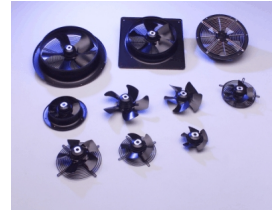
L24-B6 p



**DATA SHEET**

release. b - Revision 07-2016

Voltage	Frequency	Input Power	Input Current	Capacitor	Airflow	Rotation speed	Acoustic level	Direction rotation	Admissible Temperature
V	Hz	W	A	µF	m³/h	RPM	dBA	↻	Min/Max
230	50	104	0,47	4,0	1665	2725	65	L	-40°C / +70°C
230	60	135	0,59	4,0	1835	3105	68	L	-40°C / +70°C
230	50				980 CFM				-40°F / 158°F
230	60				1080 CFM				-40°F / 158°F



dBa : free blowing

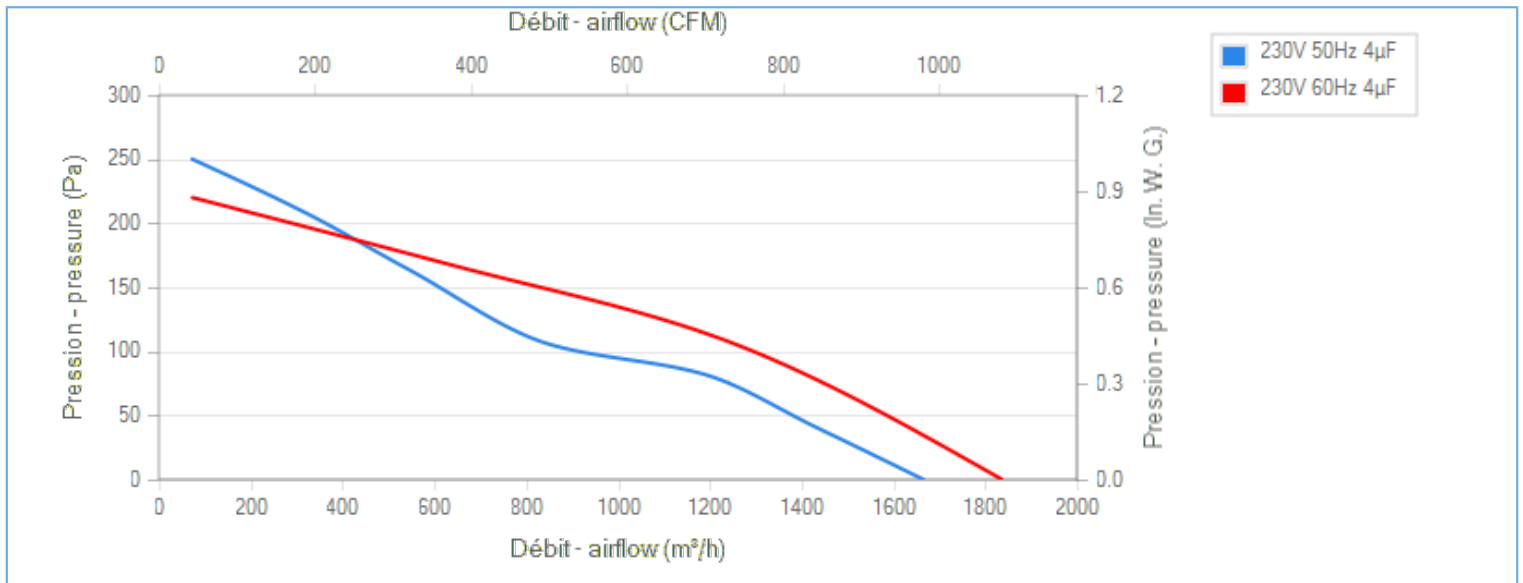
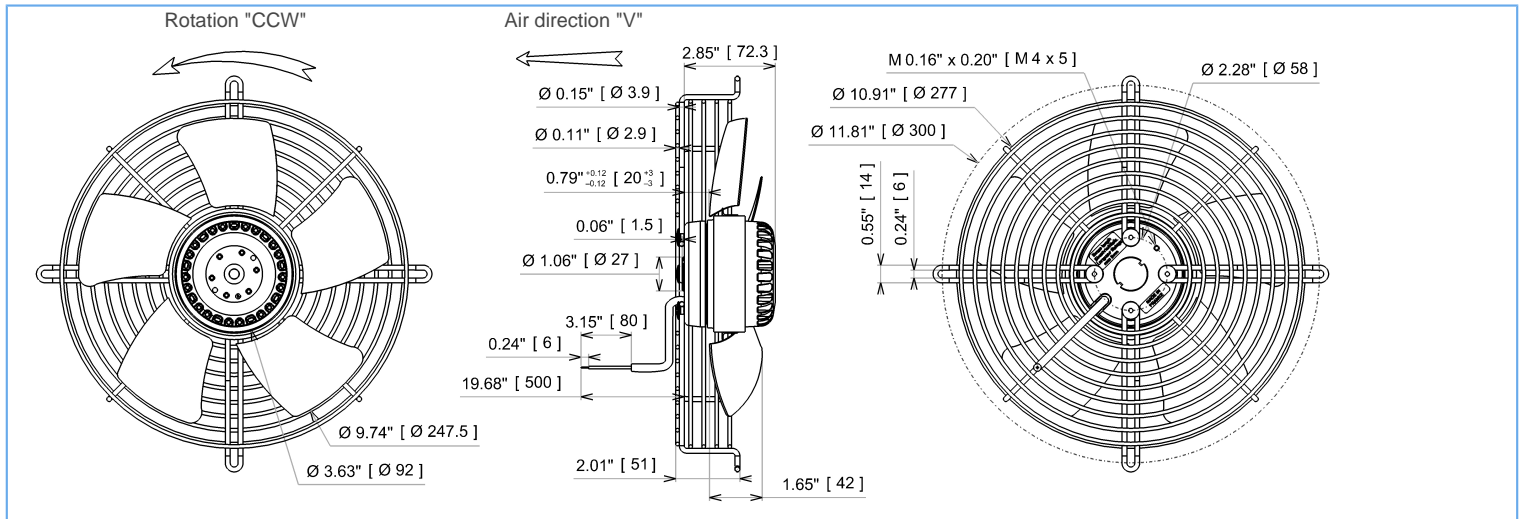
NA : not applicable

ErP 2013

NA

ErP 2015

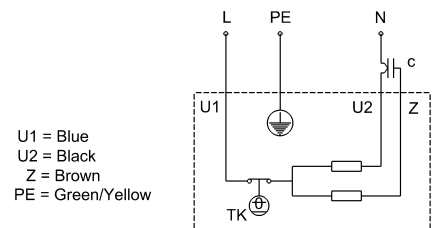
NA



Tested with ECOFIT ring

**Description**

- .Weight : 2,3 Kg
- .Ball bearing
- .Class F, thermally protected
- .IP44 protection depending on installation and position as per EN60034-5
- .G6.3 balancing
- .Zinc coated impeller
- .Rotor and impeller : black paint
- .Basket finger guard : black paint
- .Motor - UL Recognized component



Non contractual document. All specifications are subject to change without prior notice. Picture for information only.



2VPRu25 250V

L24-B6 p



# DATA SHEET

release. b - Revision 07-2016

## Data in accordance to ErP directive

Voltage	230	V
Frequency	50	Hz
Power	0,117	kW <sup>(1)</sup>
Airflow	1182	m <sup>3</sup> /h <sup>(1)</sup>
Pressure	83	Pa <sup>(1)</sup>
Rotation speed	2595	RPM <sup>(1)</sup>

(1) at optimal efficiency point

ErP directive (EU 2009/125/EC) not applicable :  
Power at optimum energy efficiency point

## Accessories

- 19220
- 19220
- 39658
- 09172

## Measurement setup

16085 VIROLE V250 RONDE

## Documents

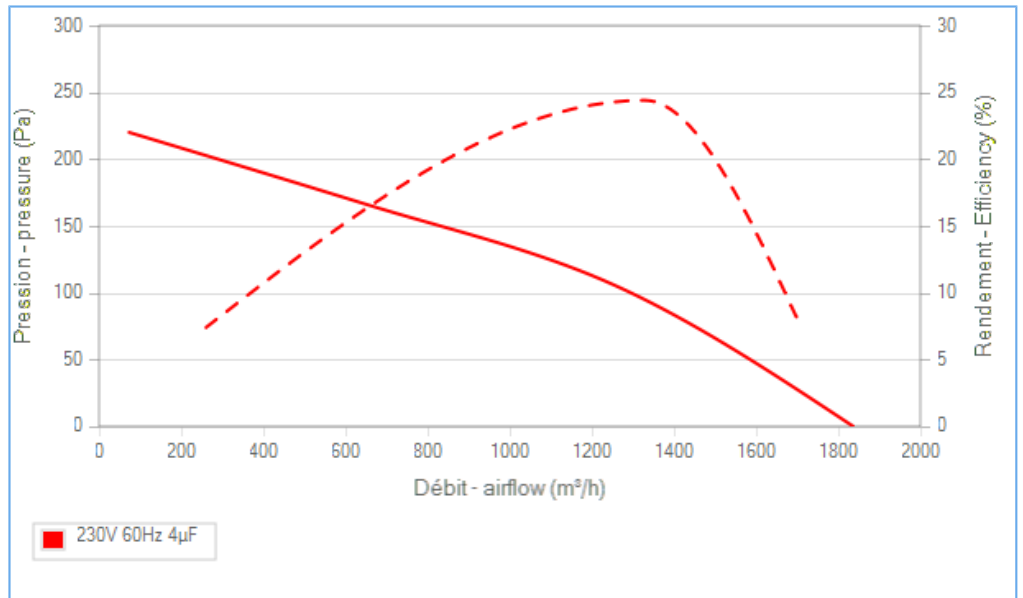
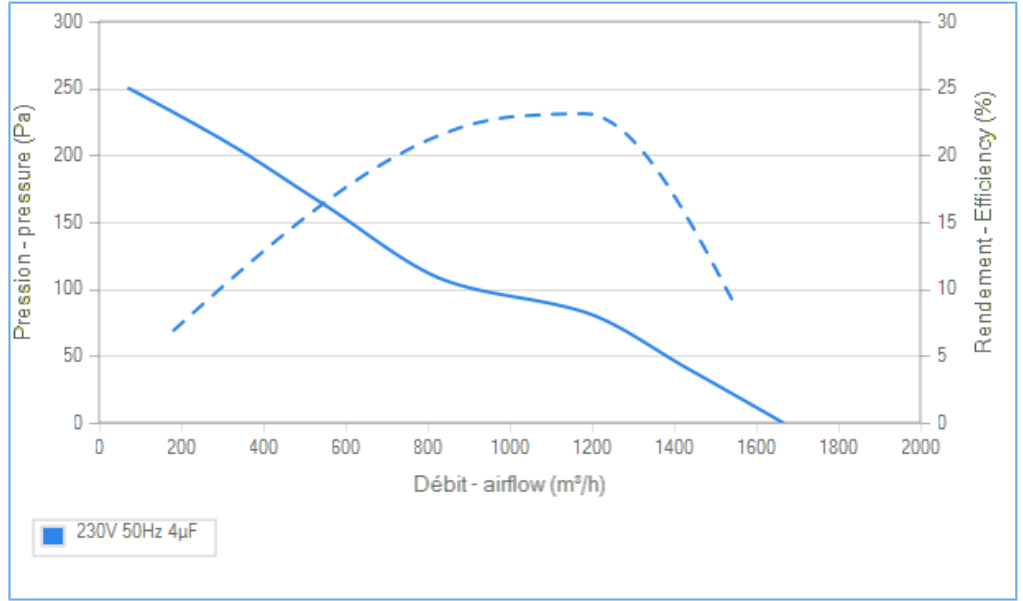
- Manuel d'utilisation  
[www.ecofit.com/site/normes](http://www.ecofit.com/site/normes)
- Operating and recycling manual  
[www.ecofit.com/anglais/normes](http://www.ecofit.com/anglais/normes)



UL2111 (XEWR2,8)  
N° file E135223  
2RS925



A041865  
2RS925CN



Non contractual document. All specifications are subject to change without prior notice. Picture for information only.