

Technical data sheet

Revision a
Revision 08/2023

ECOFIT

by

rosenberg
THE AIR MOVEMENT GROUP
VENDOME

Model
P16-A5 p

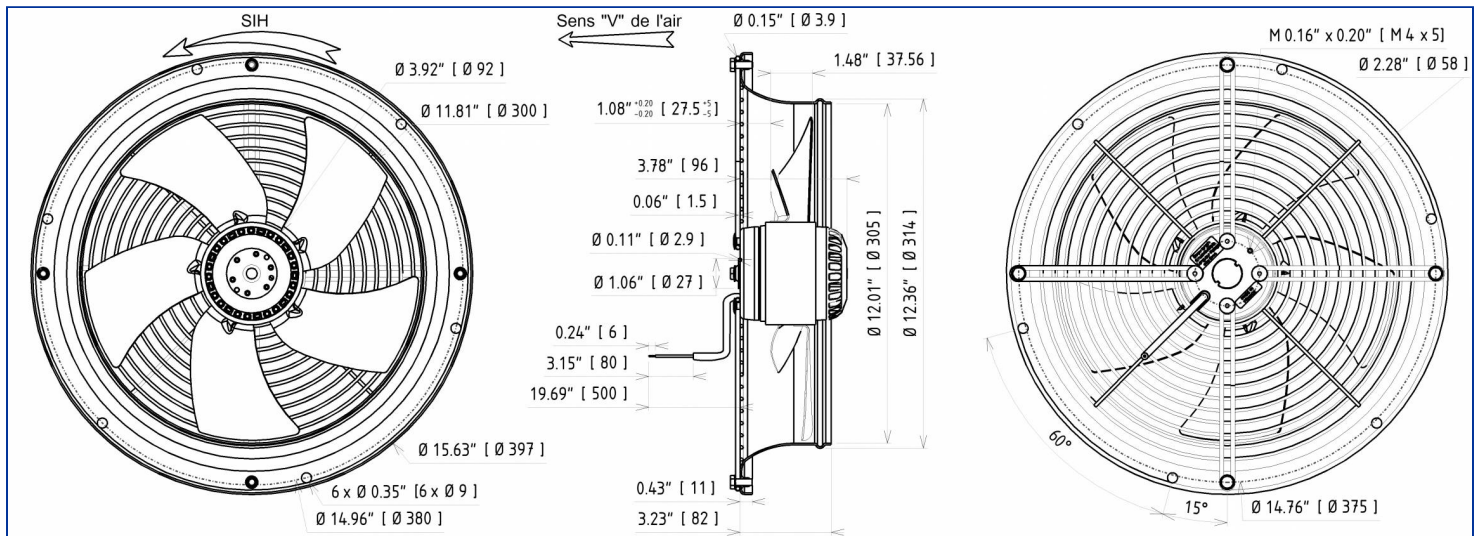


Designation **2VGVu45 300V**

Range Axial fans with single phase asynchronous motor

ELECTRICAL DATA

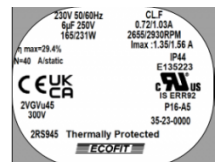
Speed		
Tension (V)	230	230
Frequency (Hz)	50	60
Current (A)	0.72	1.03
Maximum current (A)	1.35	1.56
Power (W)	165	231
Maximum power (W)	282	327
Rotation (RPM)	2655	2930
Cos Φ	0.996	0.975
Temperature min/max (°C)	-40/+70	-40/+60
Capacitor (µF)	6.00	6.00
U_condo (V)	250	250



MARKING & STANDARDS

Conformity

- **CE**
- **UKCA**
- **UL 2RS945 2111 REC92 MonoPhasé (XEW2,8)**
File number E135223



The product is manufactured in accordance with EN 60335-1, UL2111, and RoHS directive 2015/863/CE
IP class according to EN 60034-5 to be checked with operation and installation

Issued: 2023-08-30 at 10:12 Documentations and pictures are non contractual, all the data of the technical file and the drawing are subject to change.

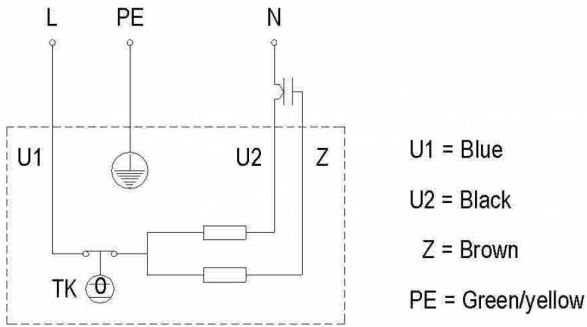
EN - Page 1 / 4

TECHNICAL DATA

Description

- Weight: 4.80 kg
- Class F
- Protection level: 44 | Protection against ingress of solid with diameter ≥ 1 mm / Protection against ingress of water : splashing
- Motor's protection T150° C UL Automatic reset
- Bearing type: 2 ball bearings 608ZZ + 6000ZZ
- Balance level: G6.3

Wiring diagram



Finishes

- Rotor and impeller : black paint
- Finger guard and ring : black paint

The product is manufactured in accordance with EN 60335-1, UL2111, and RoHS directive 2015/863/CE
IP class according to EN 60034-5 to be checked with operation and installation

Issued: 2023-08-30 at 10:12 Documentations and pictures are non contractual, all the data of the technical file and the drawing are subject to change.

EN - Page 2 / 4



by



ADDITIONAL DATA

Accessories

- 19253 | Capacitor
- 39658 | Connecting box
- 09172 | Connector

Documentations

- Operating and recycling manual
<http://www.ecofit.com/anglais/normes>

Measurement setup

- Ring 16086-0 VIROLE V300 RONDE

ERP DATA

Data according to ErP directive

- Designed for standard applications according to the directive EU 2009/125/EC

Tension	230 V
Frequency	50 Hz
Power ¹	0.2 kW
Airflow ¹	1829 m3/h
Pressure ¹	116 Pa
Rotation ¹	2490 RPM
Catégorie de mesure	A
Catégorie de rendement	total
Variateur de vitesse	No
Rapport spécifique	1.00

	Actual	2015
Rendement global	29.4	29.3
Niveau de rendement	40	40

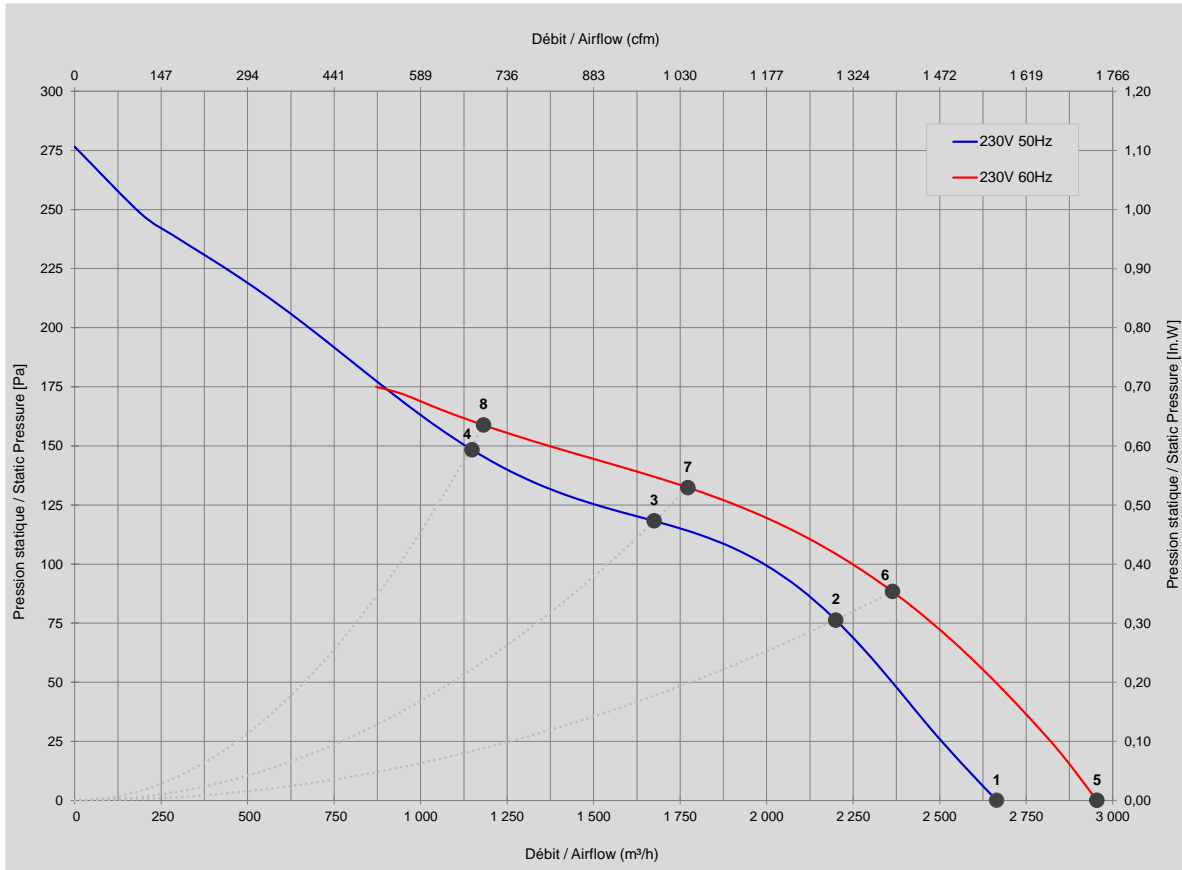
¹ at optimum energy efficiency point

The product is manufactured in accordance with EN 60335-1, UL2111, and RoHS directive 2015/863/CE
IP class according to EN 60034-5 to be checked with operation and installation

Issued: 2023-08-30 at 10:12 Documentations and pictures are non contractual, all the data of the technical file and the drawing are subject to change.

TECHNICAL DATA

Do not use in pumping zone.



Mesures / Measured Values *

	Un (V)	F (Hz)	C (µF)	P (W)	n (RPM)	Q (m³/h)	P (Pa)	Q (cfm)	P (In.W)	Lp _m (dBA)
1	230	50	6	165	2655	2 665	0	1 569	0,000	68
2	230	50	6	188	2555	2 200	76	1 295	0,306	66
3	230	50	6	204	2484	1 675	118	986	0,474	69
4	230	50	6	218	2414	1 149	148	676	0,594	75
5	230	60	6	231	2930	2 955	0	1 739	0,000	70
6	230	60	6	265	2679	2 364	88	1 391	0,354	68
7	230	60	6	276	2553	1 773	132	1 044	0,530	71
8	230	60	6	286	2436	1 182	159	696	0,636	75

* Air performance measured according to: ISO 5801, installation category C.
Intake-side sound level: according to ISO 3744, LpA measured at 1 m distance from fan axis. The values given are only applicable under the specified measuring conditions and may differ depending on the installation conditions.

The product is manufactured in accordance with EN 60335-1, UL2111, and RoHS directive 2015/863/CE
IP class according to EN 60034-5 to be checked with operation and installation

Issued: 2023-08-30 at 10:12 Documentations and pictures are non contractual, all the data of the technical file and the drawing are subject to change.