

Technical data sheet

Revision b
Revision 04/2022

ECOFIT

by

rosenberg
THE AIR MOVEMENT GROUP
VENDOME

Model
K08-A4 p

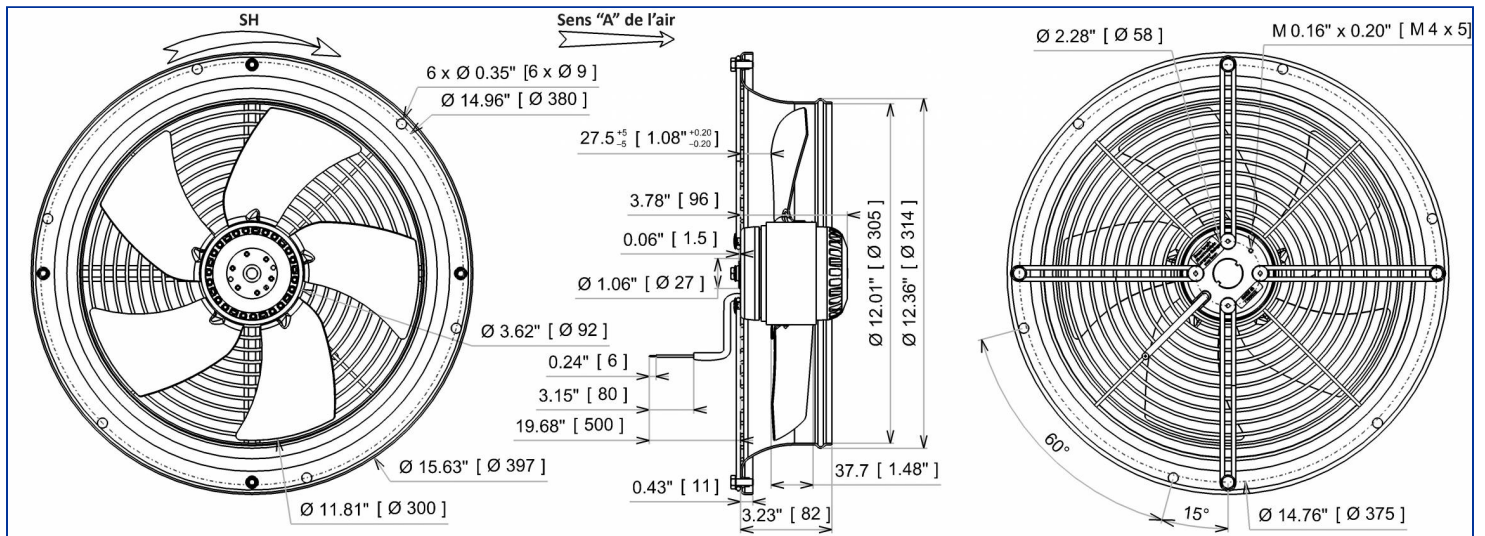


Designation **2VGVu45 300A**

Range Axial fans with single phase asynchronous motor

ELECTRICAL DATA

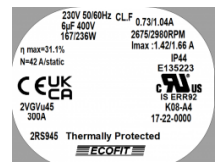
Speed		
Tension (V)	230	230
Frequency (Hz)	50	60
Current (A)	0.73	1.04
Maximum current (A)	1.42	1.66
Power (W)	167	236
Maximum power (W)	296	346
Rotation (RPM)	2675	2980
Cos Φ	0.995	0.987
Temperature min/max (°C)	-40/+55	-40/+50
Capacitor (µF)	6.00	6.00
U_condo (V)	400	400



MARKING & STANDARDS

Conformity

- **CE**
- **UKCA**
- **UL 2RS945 2111 REC92 MonoPhasé (XEW2,8)**
File number E135223



The product is manufactured in accordance with EN 60335-1, UL2111, and RoHS directive 2015/863/CE
IP class according to EN 60034-5 to be checked with operation and installation

Issued: 2022-04-26 at 09:40 Documentations and pictures are non contractual, all the data of the technical file and the drawing are subject to change.

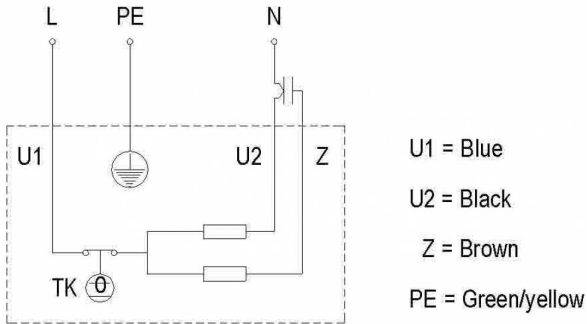
EN - Page 1 / 4

TECHNICAL DATA

Description

- Weight: 4.80 kg
- With Condensat Drain Holes
- Class F
- Protection level: 44 | Protection against ingress of solid with diameter ≥ 1 mm / Protection against ingress of water : splashing
- Motor's protection T150° C UL Automatic reset
- Bearing type: 2 ball bearings 608ZZ + 6000ZZ
- Balance level: G6.3

Wiring diagram



Finishes

- Finger guard and ring : black paint
- Motor - UL Recognized component
- Rotor and impeller : black paint

The product is manufactured in accordance with EN 60335-1, UL2111, and RoHS directive 2015/863/CE
IP class according to EN 60034-5 to be checked with operation and installation

Issued: 2022-04-26 at 09:40 Documentations and pictures are non contractual, all the data of the technical file and the drawing are subject to change.

EN - Page 2 / 4



by



ADDITIONAL DATA

Accessories

- 19221 | Capacitor
- 39658 | Connecting box
- 09172 | Connector

Documentations

- Operating and recycling manual
<http://www.ecofit.com/anglais/normes>

Measurement setup

- Ring 16086-0 VIROLE V300 RONDE

ERP DATA

Data according to ErP directive

- Designed for standard applications according to the directive EU 2009/125/EC

Tension	230 V
Frequency	50 Hz
Power ¹	0.211 kW
Airflow ¹	1824 m ³ /h
Pressure ¹	130 Pa
Rotation ¹	2502 RPM
Catégorie de mesure	A
Catégorie de rendement	total
Variateur de vitesse	No
Rapport spécifique	1.00

	Actual	2015
Rendement global	31.1	29.4
Niveau de rendement	42	40

¹ at optimum energy efficiency point

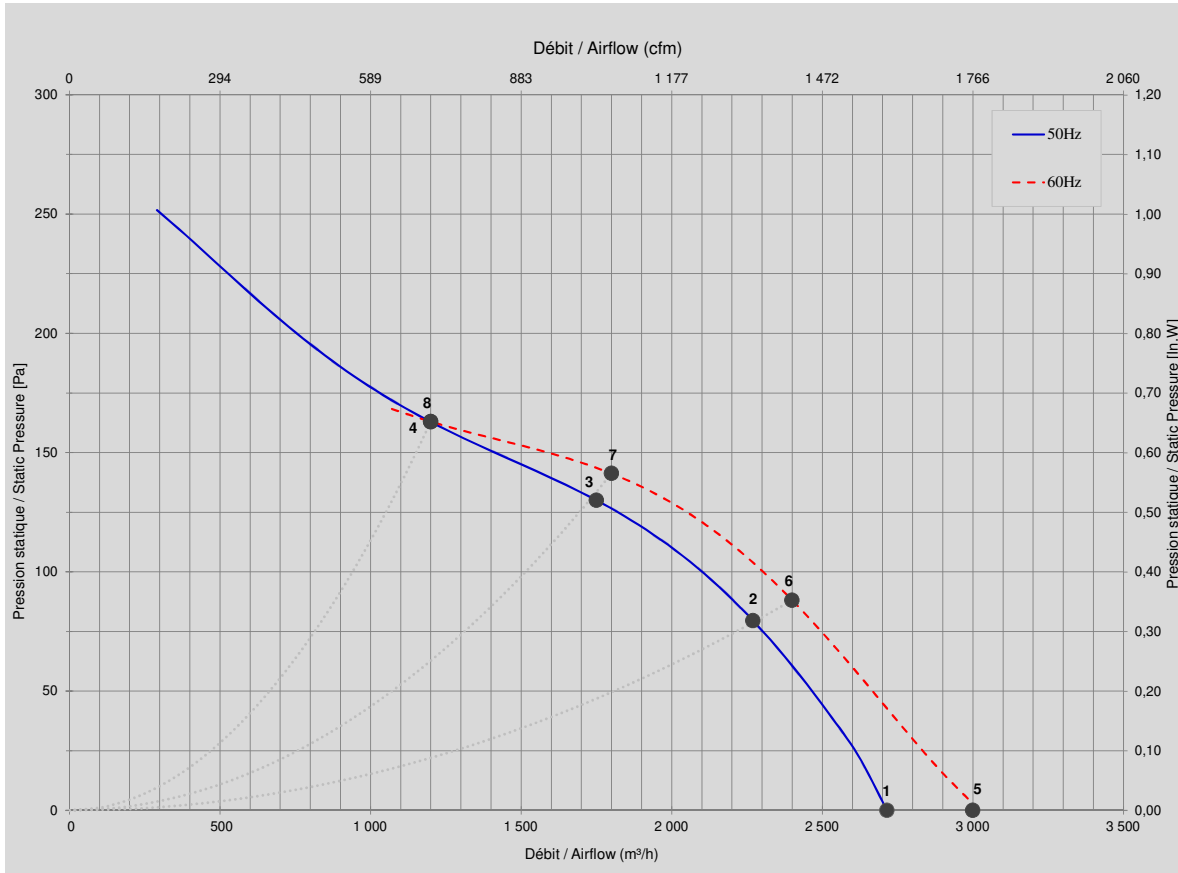
The product is manufactured in accordance with EN 60335-1, UL2111, and RoHS directive 2015/863/CE
IP class according to EN 60034-5 to be checked with operation and installation

Issued: 2022-04-26 at 09:40 Documentations and pictures are non contractual, all the data of the technical file and the drawing are subject to change.

EN - Page 3 / 4

TECHNICAL DATA

Do not use in pumping zone.



Mesures / Measured Values *

	Un (V)	F (Hz)	C (µF)	P (W)	n (RPM)	Q (m³/h)	P (Pa)	Q (cfm)	P (In.W)	Lp _m (dBA)
1	230	50	6	167	2675	2 715	0	1 598	0,000	72,0
2	230	50	6	198	2553	2 270	80	1 336	0,319	68,0
3	230	50	6	211	2504	1 750	130	1 030	0,521	70,0
4	230	50	6	225	2441	1 200	163	706	0,652	74,0
5	230	60	6	236	2980	3 000	0	1 766	0,000	76,0
6	230	60	6	265	2734	2 400	88	1 413	0,353	70,0
7	230	60	6	283	2624	1 800	141	1 060	0,566	71,0
8	230	60	6	295	2487	1 200	163	706	0,653	76,0

* Air performance measured according to: ISO 5801, installation category C.
Intake-side sound level: according to ISO 3744, LpA measured at 1 m distance from fan axis. The values given are only applicable under the specified measuring conditions and may differ depending on the installation conditions. In the event of deviation

The product is manufactured in accordance with EN 60335-1, UL2111, and RoHS directive 2015/863/CE
IP class according to EN 60034-5 to be checked with operation and installation