



2VGRu45 300V

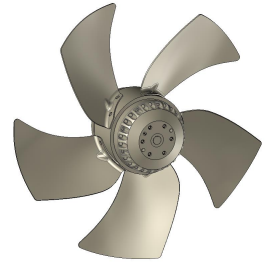
R38-A2 p



DATA SHEET

release. 0 - Revision 01-2018

Voltage	Frequency	Input Power	Input Current	Capacitor	Airflow	Rotation speed	Acoustic level	Direction rotation	Admissible Temperature
V	Hz	W	A	µF	m³/h	RPM	dBA		Min/Max
230	50	165	0,72	6,0	2665	2655	66	L	-40°C / +70°C
230	60	231	1,03	6,0	2955	2930	70	L	-40°C / +60°C
230	50				1568 CFM				-40°F / 158°F
230	60				1739 CFM				-40°F / 140°F



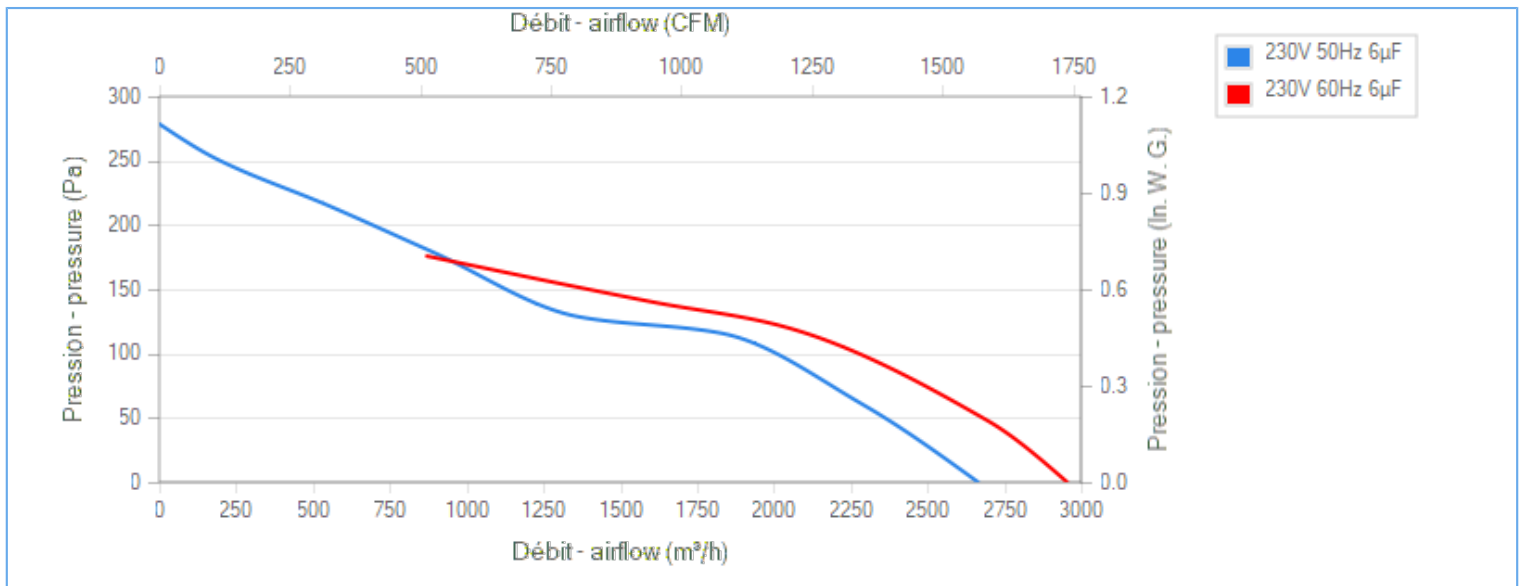
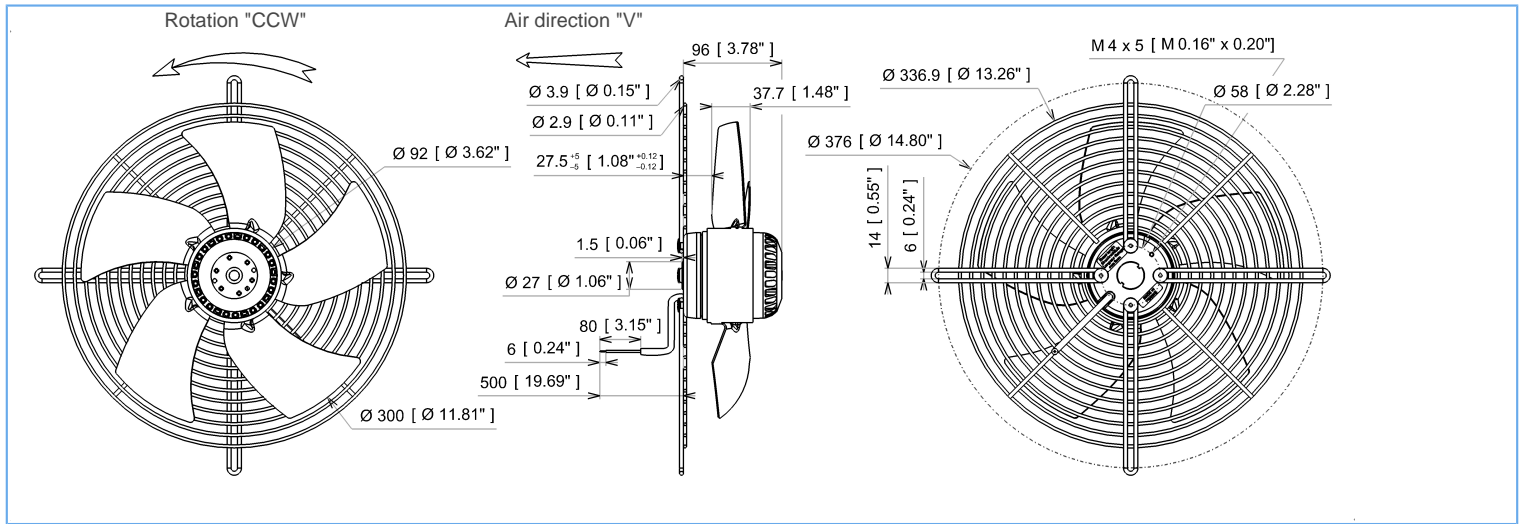
dBA : free blowing

ErP 2013

OK

ErP 2015

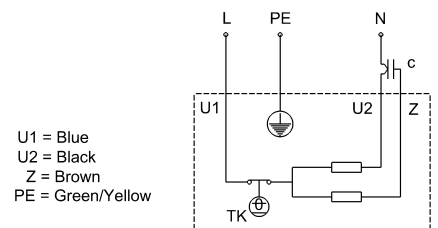
OK



Tested with ECOFIT ring

Description

- .Weight : 2,9 Kg
- .Ball bearing
- .Class F, thermally protected
- .IP44 protection depending on installation and position as per EN60034-5
- .G6.3 balancing
- .Zinc coated impeller
- .Rotor and impeller : black paint





2VGRu45 300V

R38-A2 p



DATA SHEET

release. 0 - Revision 01-2018

Data in accordance to ErP directive

Voltage	230	V
Frequency	50	Hz
Power	0,200	kW ⁽¹⁾
Airflow	1829	m ³ /h ⁽¹⁾
Pressure	116	Pa ⁽¹⁾
Rotation speed	2490	RPM ⁽¹⁾
(1) at optimal efficiency point		

	Actual	Request 2013	Request 2015
Overall efficiency (η)	29,4	25,3	29,3
Efficiency grade	40	36	40
Installation category	A		
Efficiency category	static		
Variable speed drive	No		
Specific ratio	1,00		

Designed for regular application according ErP directive EU 2009/125/EC

Accessories

- 19221
- 19221
- 39658
- 09172

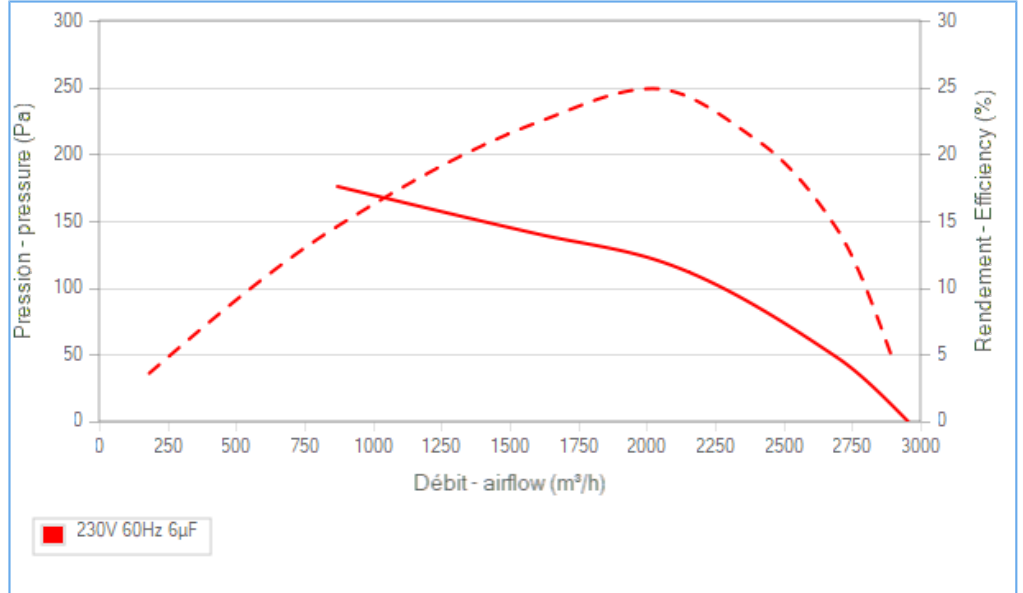
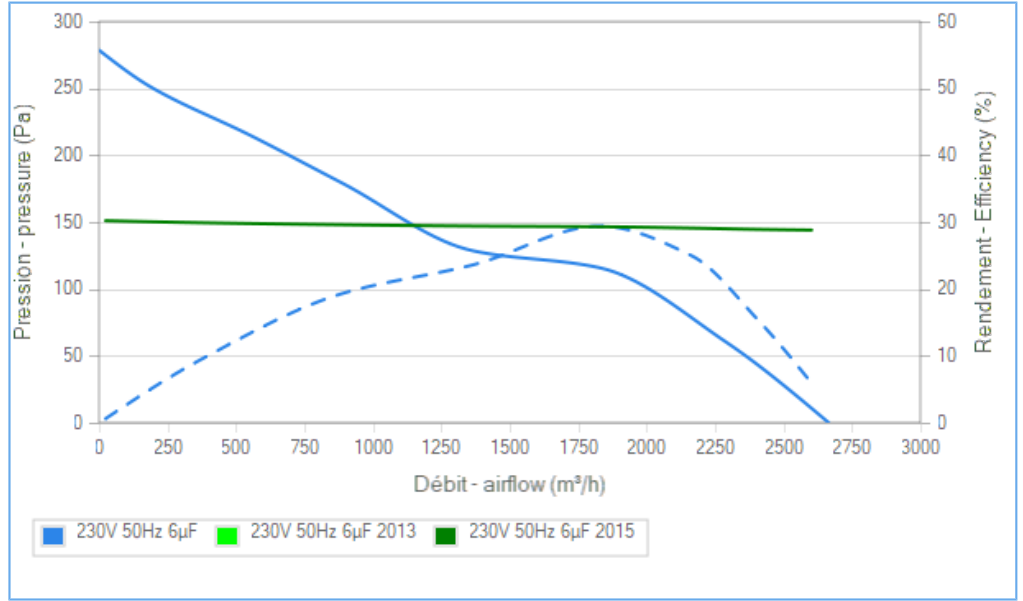
Measurement setup

16086 VIROLE V300 RONDE

Documents

Manuel d'utilisation
www.ecofit.com/site/normes

Operating and recycling manual
www.ecofit.com/anglais/normes



Non contractual document. All specifications are subject to change without prior notice. Picture for information only.



UL2111 (XEW2,8)
 N° file E135223
 2RS945