

Technical data sheet

Revision 0
Revision 07/2022

ECOFIT

by

rosenberg
THE AIR MOVEMENT GROUP
VENDÔME

Model
L29-A5 p

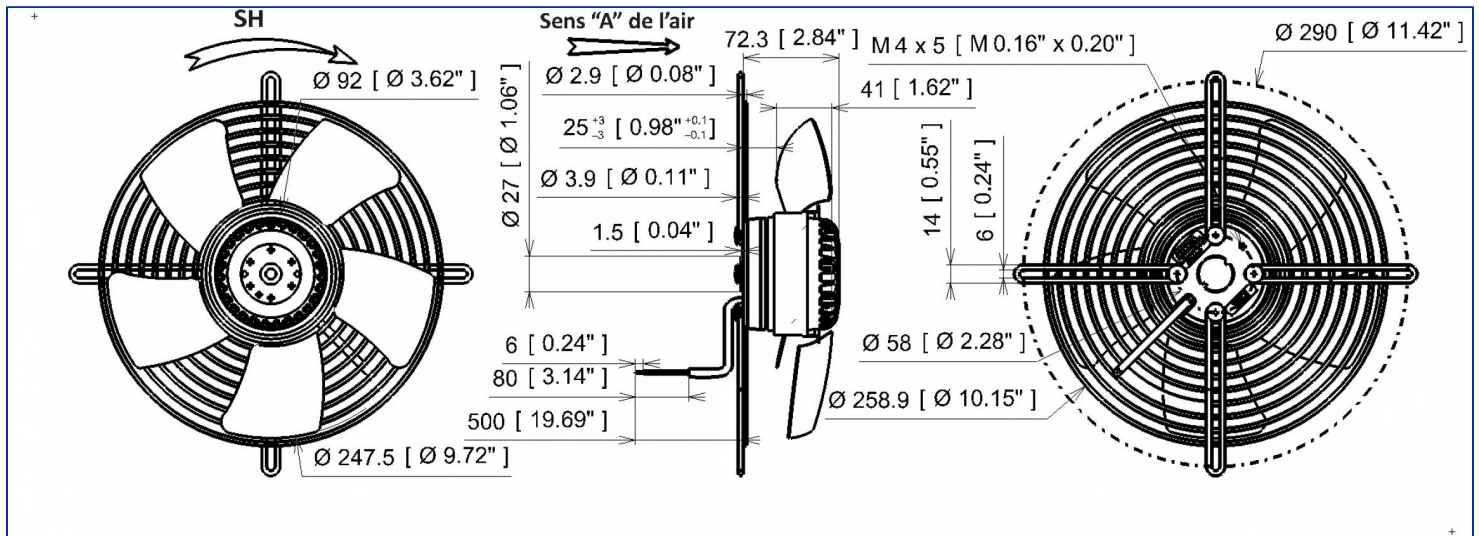


Designation **2VGRu25 250A**

Range Axial fans with single phase asynchronous motor

ELECTRICAL DATA

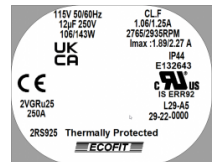
Speed		
Tension (V)	115	115
Frequency (Hz)	50	60
Current (A)	1.06	1.25
Maximum current (A)	1.89	2.27
Power (W)	106	143
Maximum power (W)	196	234
Rotation (RPM)	2765	2935
Cos Φ	0.870	0.995
Temperature min/max (°C)	-40/+60	-40/+70
Capacitor (µF)	12.00	12.00
U_condo (V)	250	250



MARKING & STANDARDS

Conformity

- CE
- UKCA
- UL 2RS925 1004 REC92 MonoPhasé (PRGY2,8)
File number E132643



The product is manufactured in accordance with EN 60335-1, UL 1004, and RoHS directive 2015/863/CE
IP class according to EN 60034-5 to be checked with operation and installation

Issued: 2022-07-26 at 09:33 Documentations and pictures are non contractual, all the data of the technical file and the drawing are subject to change.

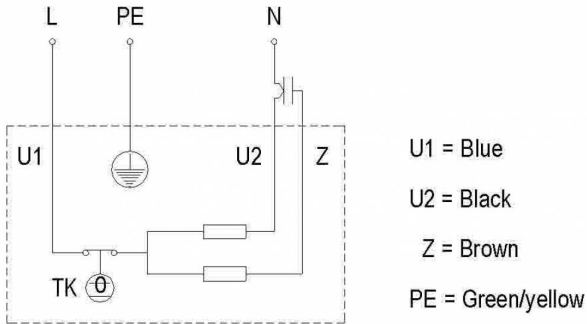
EN - Page 1 / 4

TECHNICAL DATA

Description

- Weight: 2.20 kg
- With Condensat Drain Holes
- Class F
- Protection level: 44 | Protection against ingress of solid with diameter ≥ 1 mm / Protection against ingress of water : splashing
- Motor's protection T150° C UL Automatic reset
- Bearing type: 2 ball bearings 608ZZ
- Balance level: G6.3

Wiring diagram



Finishes

- Finger guard : black paint
- Zinc coated impeller
- Motor - UL Recognized component
- Rotor and impeller : black paint

ADDITIONAL DATA

Accessories

- 19237 | Capacitor
- 39658 | Connecting box
- 09172 | Connector

Documentations

- Operating and recycling manual
<http://www.ecofit.com/anglais/normes>

Measurement setup

- Ring 16085-0 VIROLE V250 RONDE

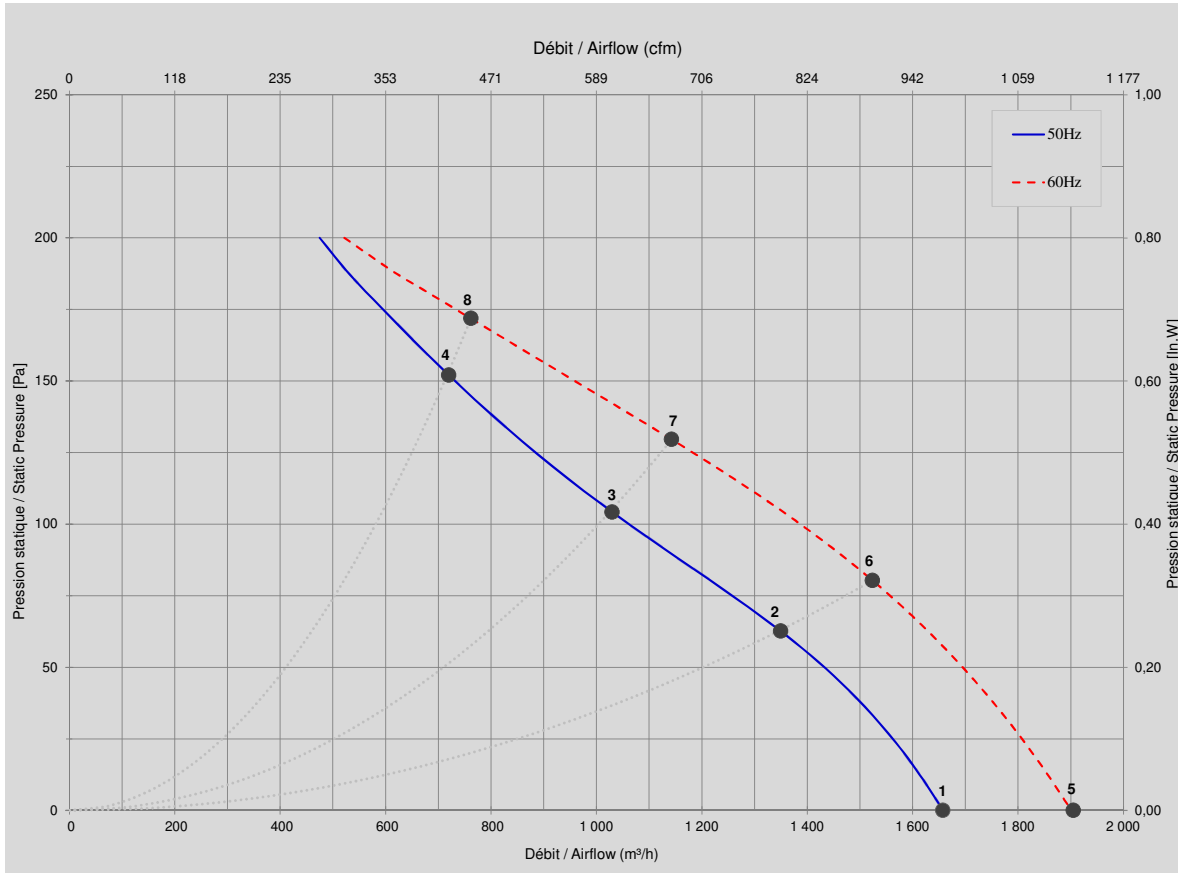
ERP DATA

ErP Directive ErP (EU 2009/125/EC) not applicable:

- Power at optimum energy efficiency point <125W

TECHNICAL DATA

Do not use in pumping zone.



Mesures / Measured Values *

	Un (V)	F (Hz)	C (µF)	P (W)	n (RPM)	Q (m³/h)	P (Pa)	Q (cfm)	P (in.W)	Lp _m (dBA)
1	115	50	12	106	2765	1 657	0	975	0,000	70,0
2	115	50	12	115	2687	1 350	63	795	0,251	74,0
3	115	50	12	123	2648	1 030	104	606	0,417	75,0
4	115	50	12	139	2577	720	152	424	0,609	72,0
5	115	60	12	143	2935	1 905	0	1 121	0,000	74,0
6	115	60	12	160	3018	1 524	80	897	0,322	77,0
7	115	60	12	171	2930	1 143	130	673	0,519	81,0
8	115	60	12	188	2749	762	172	448	0,688	74,0

* Air performance measured according to: ISO 5801, installation category C.
Intake-side sound level: according to ISO 3744, LpA measured at 1 m distance from fan axis. The values given are only applicable under the specified measuring conditions and may differ depending on the installation conditions. In the event of deviation

The product is manufactured in accordance with EN 60335-1, UL1004, and RoHS directive 2015/863/CE
IP class according to EN 60034-5 to be checked with operation and installation